

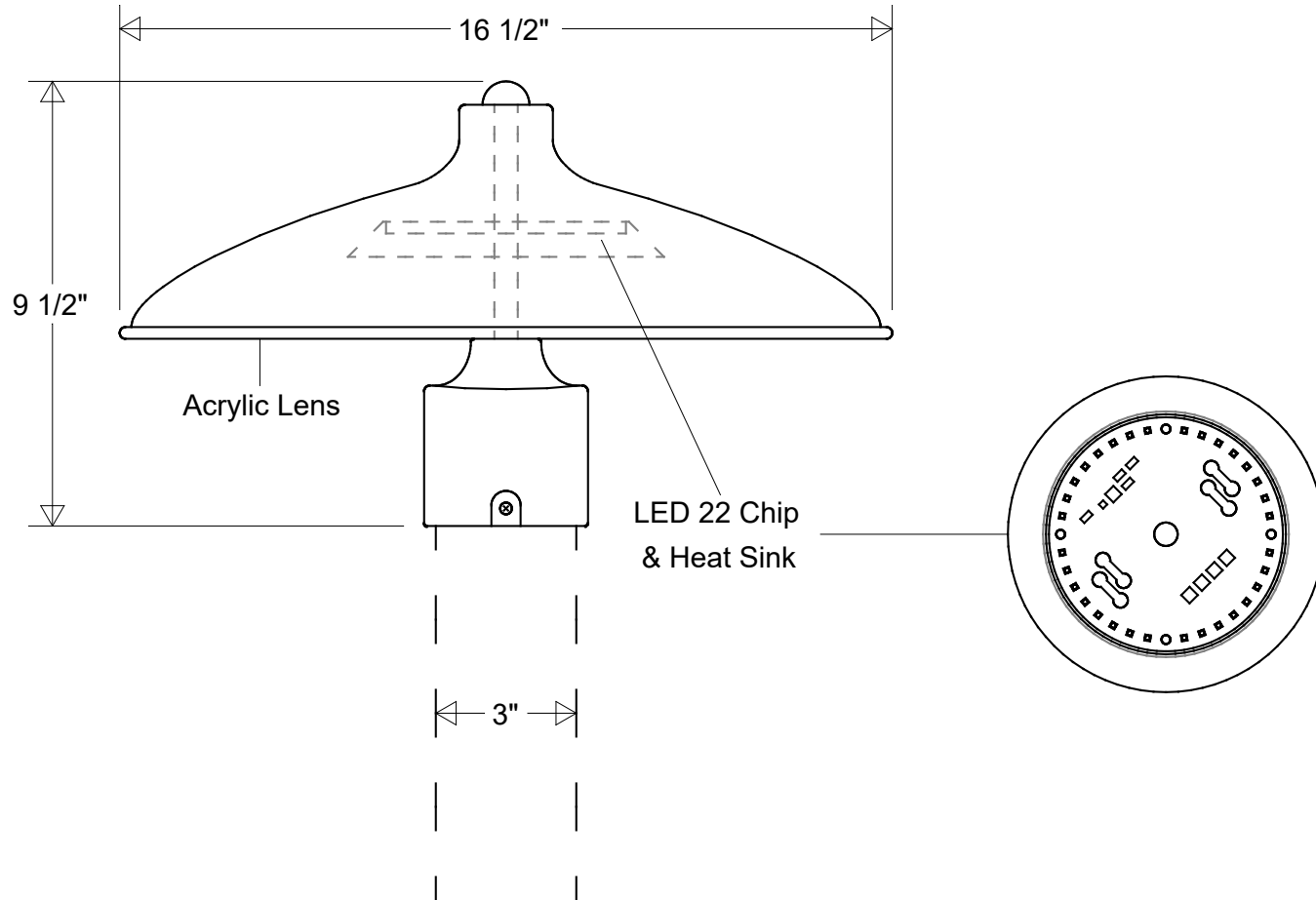


Primelite Manufacturing Corp

407 S Main St, Freeport, NY 11520

Phone: 516-868-4411 | Fax: 516-868-4609
 sales@primelite-mfg.com | www.primelite-mfg.com

| | | | |
|--------------------------------------|-----------------------------|-------------------------|-------------------------------------|
| PART # #116/16-1595 LED 22 | LAMP Built-In LED | VOLTAGE 120 V | COLOR Powder Coated Paint |
| JOB NAME | | | TYPE Post Light |



Lamp: LED 22 Array
 100 W Inc Equivalent
 3K = 1850 Lumens
 4K = 1900 Lumens



| | | |
|------------------|-----------------|-------------|
| | Initials | Date |
| Drawn | CB | 04/2022 |
| Checked | | |
| ENG Appr. | | |
| MFR Appr. | | |
| QA | | |

Post Light #116/16-1595 LED 22

16 1/2" Dia | 9 1/2" H | Fits 3" OD Round Post

Clear Acrylic Lens

| | | |
|-------------|--------------------|------------|
| Size | Drawing No. | Rev |
| A | 0001 | A |

| Revisions | | | | |
|-----------|-----|-------------|------|------|
| Zone | Rev | Description | Date | Appr |
| | | | | |
| | | | | |
| | | | | |

Construction:
Aluminum | Acrylic

| | | | | |
|--|----------------|--------------|-----------------|-------------------------------|
| Unless Otherwise Specified: Dimensions in Inches | Weight: | Scale | CAD File | Sheet 1 of 1 |
|--|----------------|--------------|-----------------|-------------------------------|