

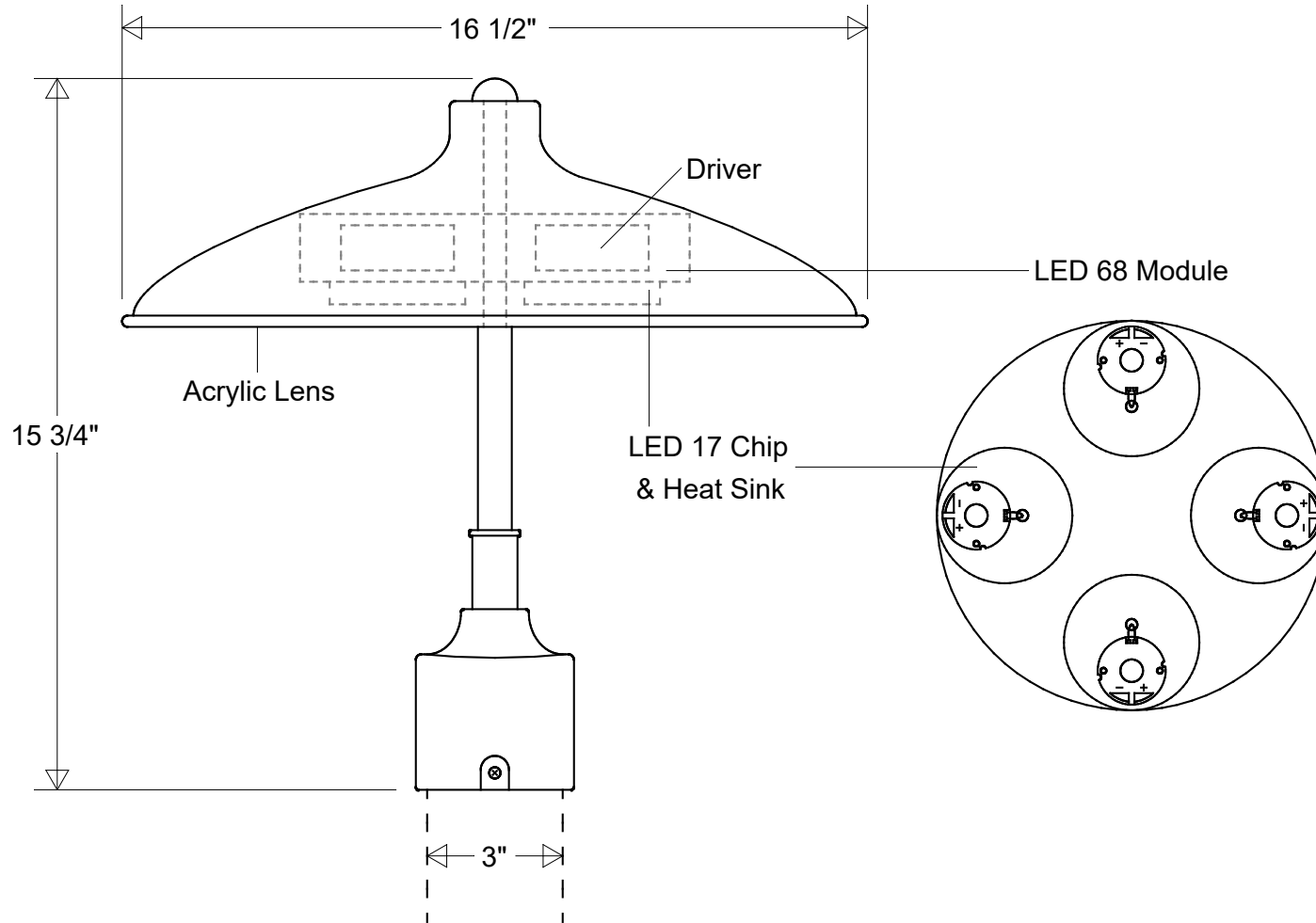


Primelite Manufacturing Corp

407 S Main St, Freeport, NY 11520

Phone: 516-868-4411 | Fax: 516-868-4609
 sales@primelite-mfg.com | www.primelite-mfg.com

PART # #116/16-1594 LED 68	LAMP Built-In LED	VOLTAGE 120 V	COLOR Powder Coated Paint
JOB NAME			TYPE Post Light



Lamp: LED 68 (LED 17 Chip X 4)
 175 W MH Equivalent
 3K = 7712 Lumens
 4K = 8552 Lumens



	Initials	Date
Drawn	CB	04/2022
Checked		
ENG Appr.		
MFR Appr.		
QA		

Post Light #116/16-1594 LED 68

16 1/2" Dia | 15 3/4" H | Fits 3" OD Round Post

Clear Acrylic Lens

Size	Drawing No.	Rev
A	0001	A

Revisions				
Zone	Rev	Description	Date	Appr

Construction:
Aluminum | Acrylic

Unless Otherwise Specified:
Dimensions in Inches

Weight:

Scale CAD File Sheet
1 of 1