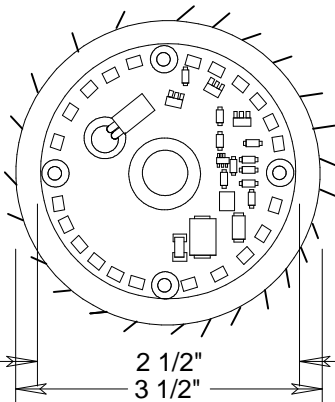


LED12



Unless Otherwise Specified: Dimensions in Inches Tolerances: Fractional ± Angular: Mach ± Bend ± Two Place Decimal ± Three Place Decimal ±	<table border="1"> <thead> <tr> <th></th> <th>Name</th> <th>Date</th> </tr> </thead> <tbody> <tr> <td>Drawn</td> <td>lv</td> <td>09/11/17</td> </tr> <tr> <td>Checked</td> <td></td> <td></td> </tr> <tr> <td>ENG Appr.</td> <td></td> <td></td> </tr> <tr> <td>MFR Appr.</td> <td></td> <td></td> </tr> <tr> <td>QA</td> <td></td> <td></td> </tr> <tr> <td>Comments</td> <td colspan="2">CAD Generated Drawing Do Not Manually Update</td> </tr> </tbody> </table>		Name	Date	Drawn	lv	09/11/17	Checked			ENG Appr.			MFR Appr.			QA			Comments	CAD Generated Drawing Do Not Manually Update		Primelite Mfg. Corp. 516-868-4411	
		Name	Date																					
	Drawn	lv	09/11/17																					
	Checked																							
	ENG Appr.																							
MFR Appr.																								
QA																								
Comments	CAD Generated Drawing Do Not Manually Update																							
Construction: Aluminum	#116/12 LED12																							
Lamp: 1 x LED12			Size A	Drawing No. 0001	Rev A																			
primelite-mfg.com	Scale	CAD File	Sheet 1 of 1																					