

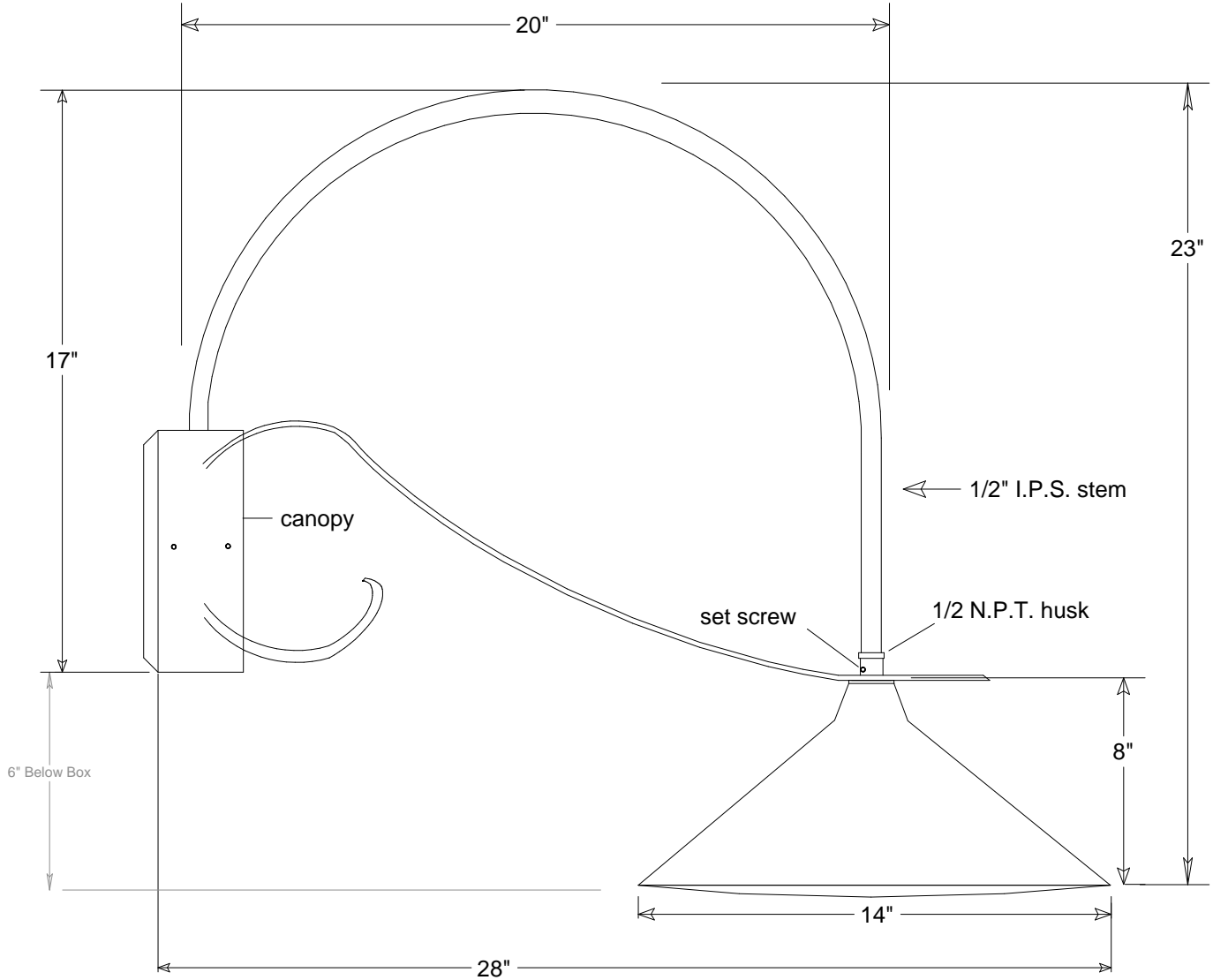


Primelite Manufacturing Corp

407 S Main St, Freeport, NY 11520

Phone: 516-868-4411 | Fax: 516-868-4609
 sales@primelite-mfg.com | www.primelite-mfg.com

PART #	LAMP	VOLTAGE	COLOR
JOB NAME			TYPE



Unless Otherwise Specified: Dimensions in Inches Tolerances: Fractional ± Angular: Mach ± Bend ± Two Place Decimal ± Three Place Decimal ±	Name		Date	Gooseneck #111/14-866 SCA 14" Shade 20" Arm 6" Below Box							
	Drawn	iv	12/29/17								
	Checked										
	ENG Appr.										
	MFR Appr.										
Construction: Aluminum	QA			Size	Drawing No.	Rev	Zone	Rev	Description	Date	Approved
Lamp: Incandescent LED 1/200A LED22	Shade Sizes: 10", 12", 14"			A	0001	A					
				Scale	CAD File	Sheet	1 of 1				