



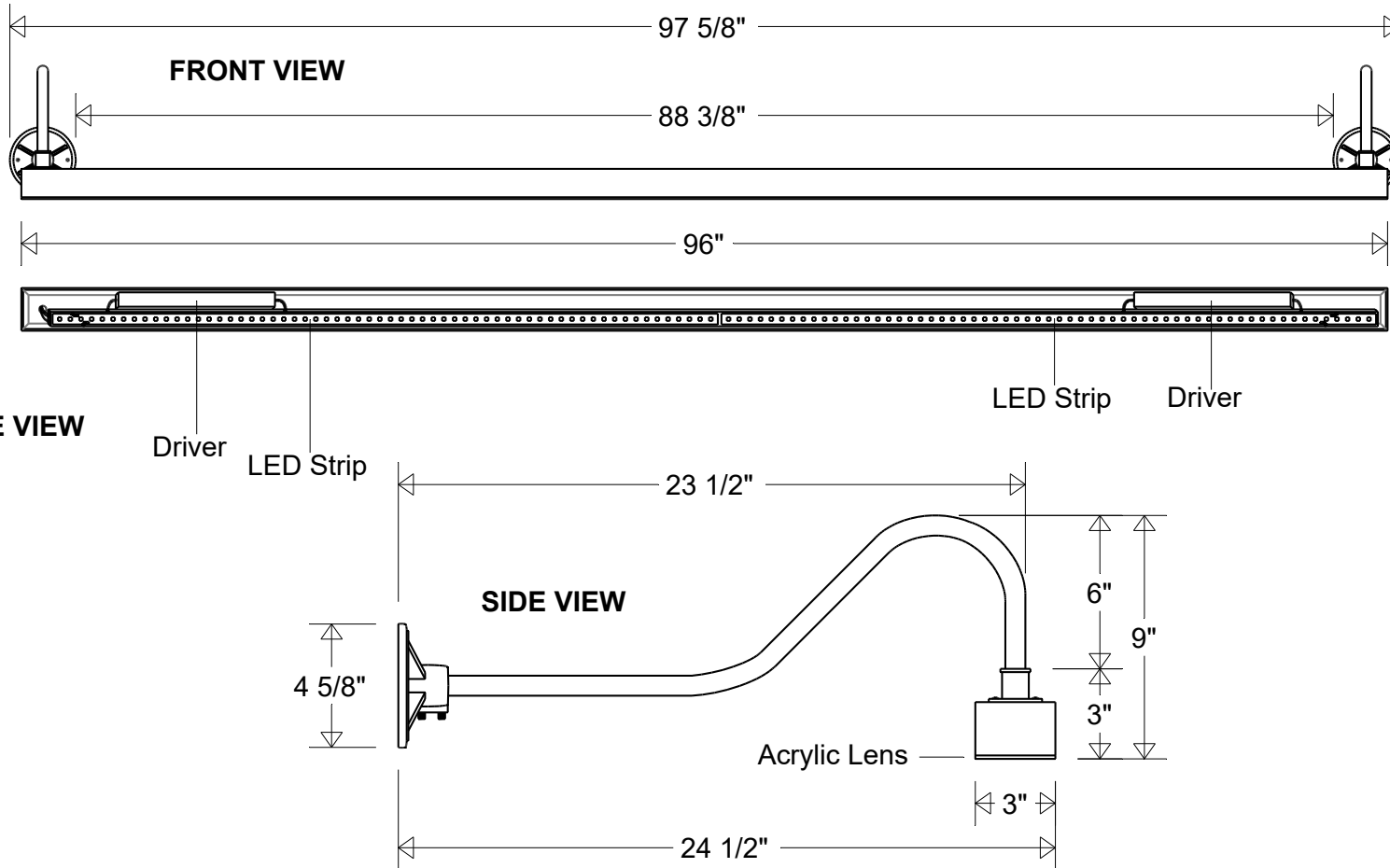
Primelite Manufacturing Corp



407 S Main St, Freeport, NY 11520

Phone: 516-868-4411 | Fax: 516-868-4609

sales@primelite-mfg.com | www.primelite-mfg.com

PART # #5751/850 LED 100	LAMP Built-In LED	VOLTAGE 120-277 V	COLOR Powder Coated Paint
JOB NAME			TYPE Linear Sign Light



Lamp: LED 100 (2 x LED 50 Strip) 35K or 50K: 14,000 Lumens  	Name	Date	Sign Light #5751/850 LED 100			
	Drawn	CB				07/2021
	Checked			97 5/8" L 24 1/2" Ext 9" H 93" Center to Center Arms Acrylic Lens : White (-3) Clear (-4) Frosted (-5)		
	ENG Appr.					
MFR Appr.			Size	Drawing No.	Rev	
QA			A	0001	A	
Unless Otherwise Specified: Dimensions in Inches	Weight		Scale	CAD File	Sheet 1 of 1	

Revisions				
Zone	Rev	Description	Date	Approved