



# Primelite Manufacturing Corp

407 S Main St, Freeport, NY 11520

Phone: 516-868-4411 | Fax: 516-868-4609

sales@primelite-mfg.com | www.primelite-mfg.com

PART #

#5744/1873 ESW LED 25

LAMP

Built-In LED

VOLTAGE

120 - 277 V

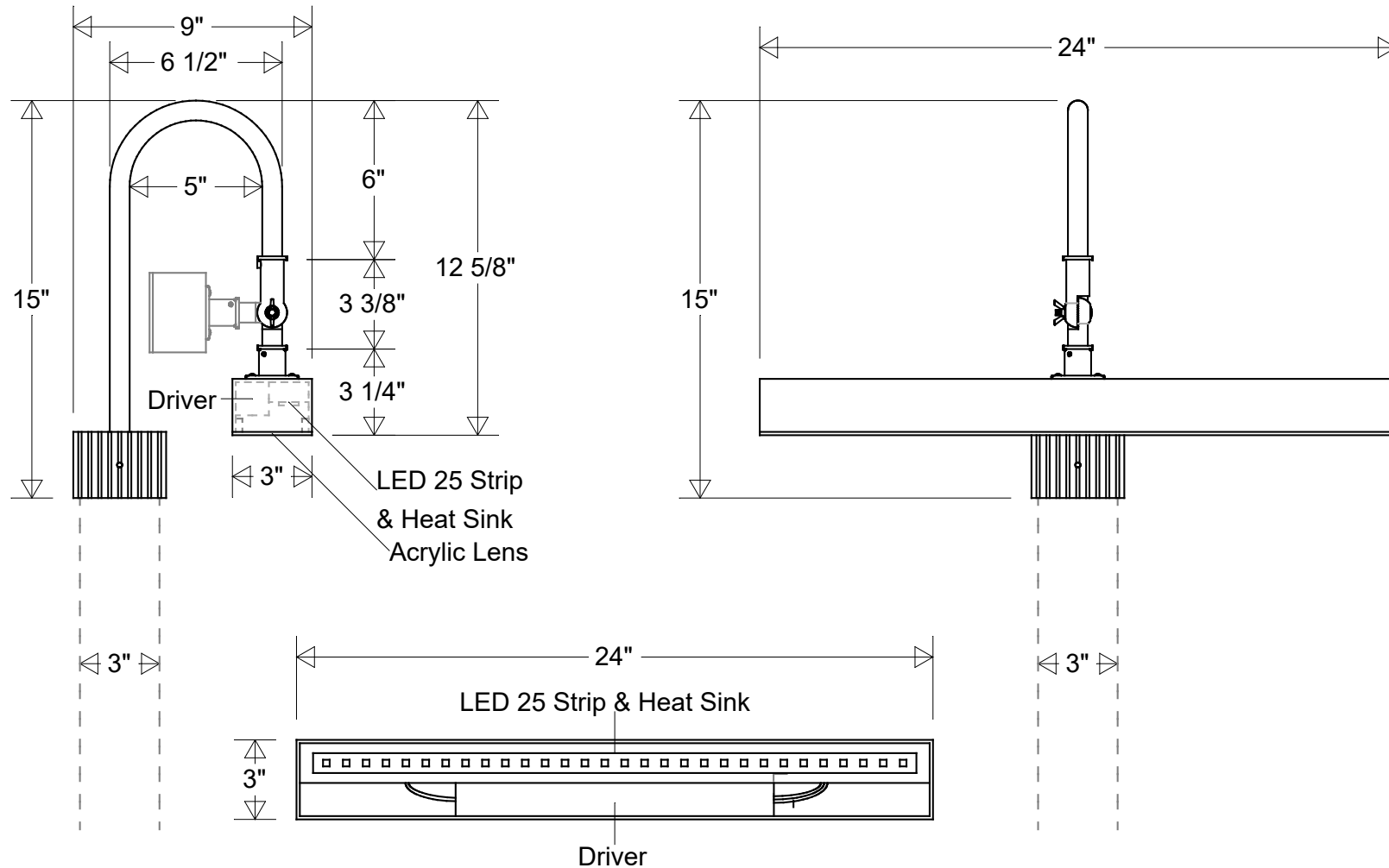
COLOR

Powder Coated Paint

JOB NAME

TYPE

Linear Post Light



Lamp: LED 25 Strip  
35K = 3920 Lumens  
5K = 3920 Lumens

	Initials	Date
Drawn	CB	09/2022
Checked		
ENG Appr.		
MFR Appr.		
QA		

## Post Light #5744/1873 ESW LED 25

24" L | 9" Ext | 15" H | Fits 3" OD Round Posts & Piers

Acrylic Lens: White (-3) | Clear (-4) | Frosted (-5)

### Revisions

Zone	Rev	Description	Date	Appr

Construction:  
Aluminum | Acrylic

Size	Drawing No.	Rev
<b>A</b>	<b>0001</b>	<b>A</b>

Unless Otherwise Specified:  
Dimensions in Inches

Weight:	Scale	CAD File	Sheet
			<b>1 of 1</b>