



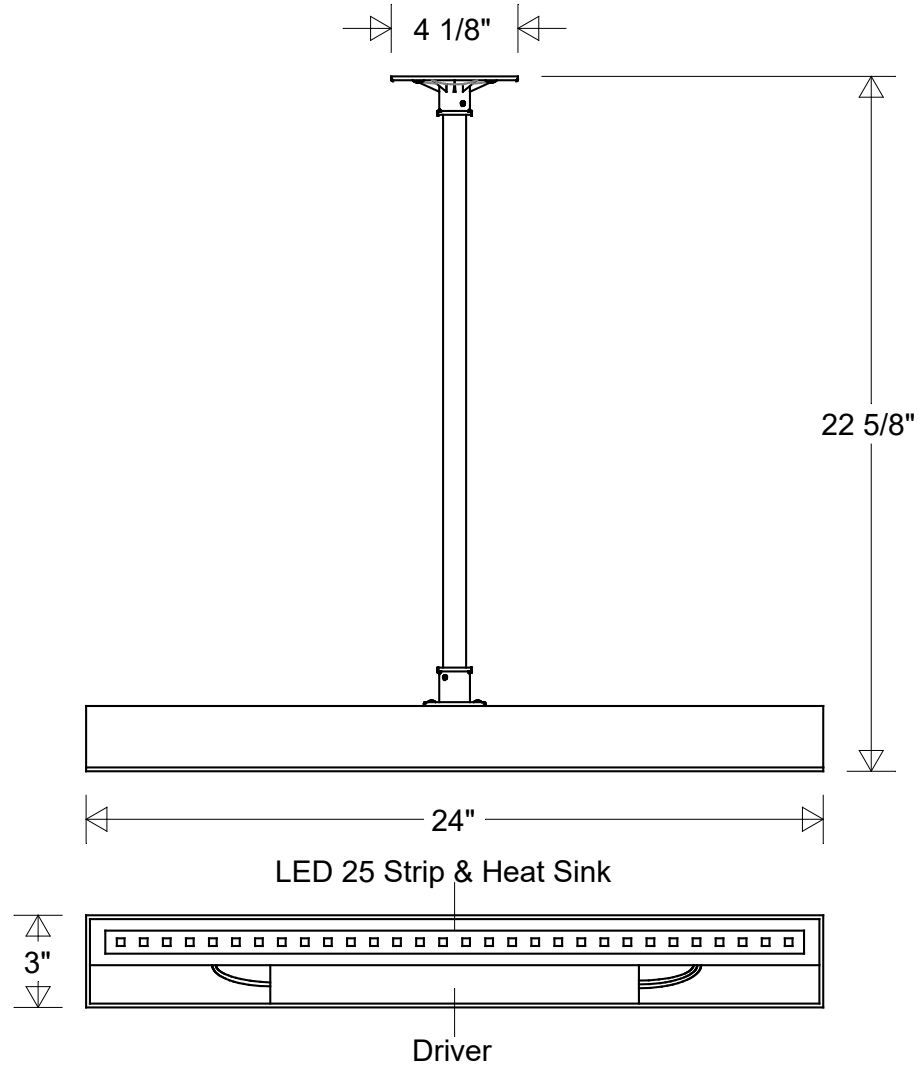
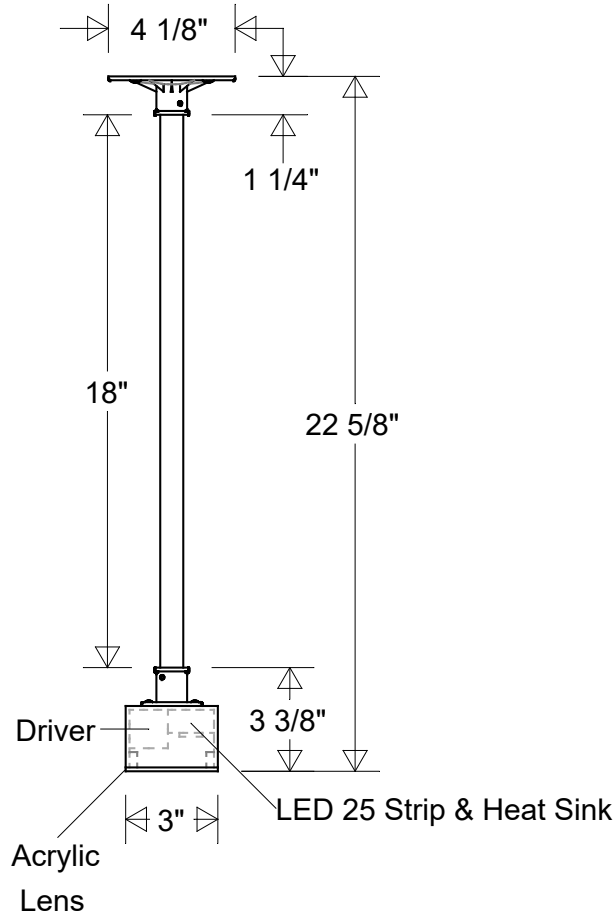
# Primelite Manufacturing Corp

407 S Main St, Freeport, NY 11520

Phone: 516-868-4411 | Fax: 516-868-4609

sales@primelite-mfg.com | www.primelite-mfg.com

PART # #5744/18 LED 25	LAMP Built-In LED	VOLTAGE 120 - 277 V	COLOR Powder Coated Paint
JOB NAME			TYPE Linear Pendant Light



Lamp: LED 25 Strip  
35K = 3920 Lumens  
5K = 3920 Lumens



	Initials	Date
Drawn	CB	09/2022
Checked		
ENG Appr.		
MFR Appr.		
QA		

## Pendant #5744/18 LED 25

24" L | 3" W | 22 5/8" H | 18" 1/2" IPS Stem  
Acrylic Lens: White (-3) | Clear (-4) | Frosted (-5)

Size	Drawing No.	Rev
<b>A</b>	<b>0001</b>	<b>A</b>

### Revisions

Zone	Rev	Description	Date	Appr

Unless Otherwise Specified:  
Dimensions in Inches

Weight:	Scale	CAD File	Sheet
			<b>1 of 1</b>