

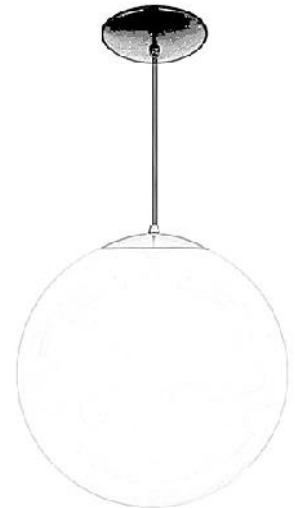
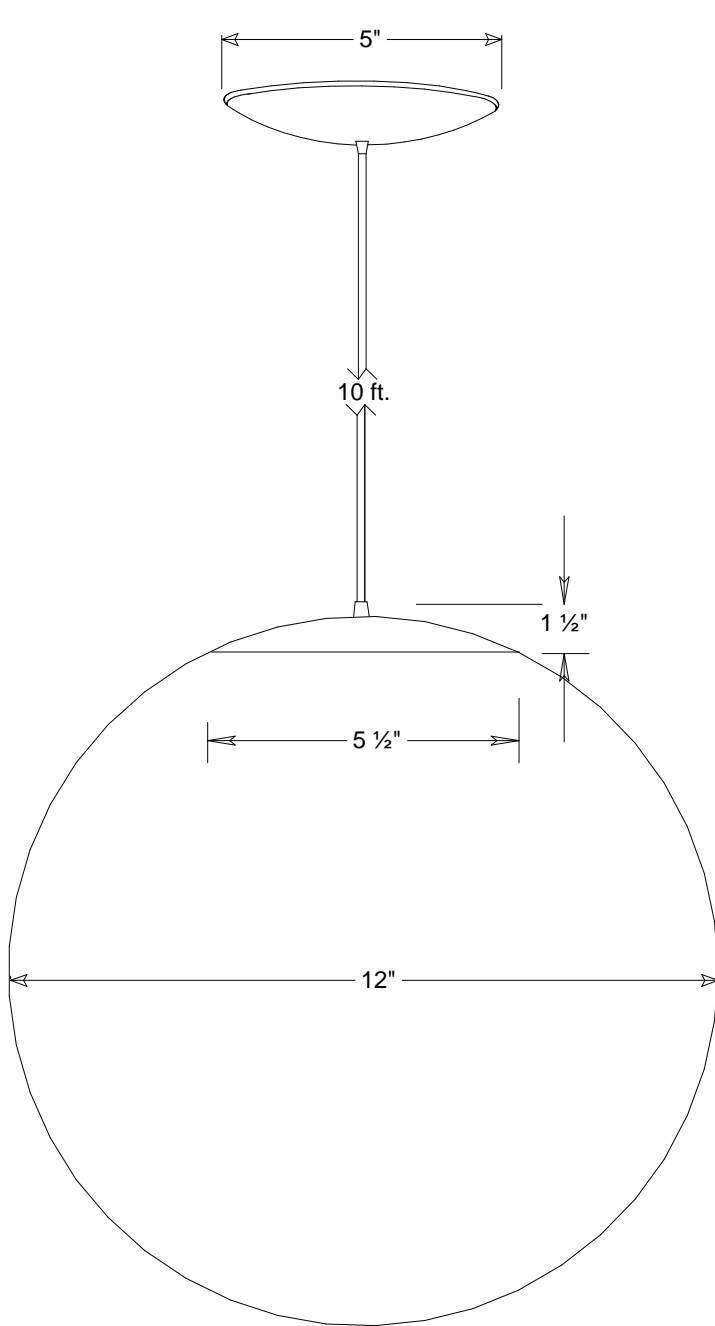


# Primelite Manufacturing Corp

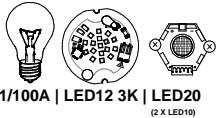
407 S Main St, Freeport, NY 11520

Phone: 516-868-4411 | Fax: 516-868-4609  
 sales@primelite-mfg.com | www.primelite-mfg.com

<b>PART #</b> <b>#442</b>	<b>LAMP</b> Incandescent   Led	<b>VOLTAGE</b> 120V	<b>COLOR</b> Powder Coated Colors
<b>JOB NAME</b>			<b>TYPE</b> Globe Pendant Glass   Neckless



Lamp: Incandescent | LED



Construction: Aluminum, Glass  
 Unless Otherwise Specified:  
 Dimensions in Inches

Name	Date	Globe Pendant #442		
Drawn lv	10/10/18	12" Dia Glass Globe   Neckless   10' Vinyl Cord Smoke #442/1   White #442/3   Clear #442/4		
Checked		Size	Drawing No.	Rev
ENG Appr.		<b>A</b>	<b>0001</b>	<b>A</b>
MFR Appr.		Scale	CAD File	Sheet
QA				<b>1 of 1</b>
Colors Smoke #/1   White #/3   Clear #/4				

Revisions				
Zone	Rev	Description	Date	Approved