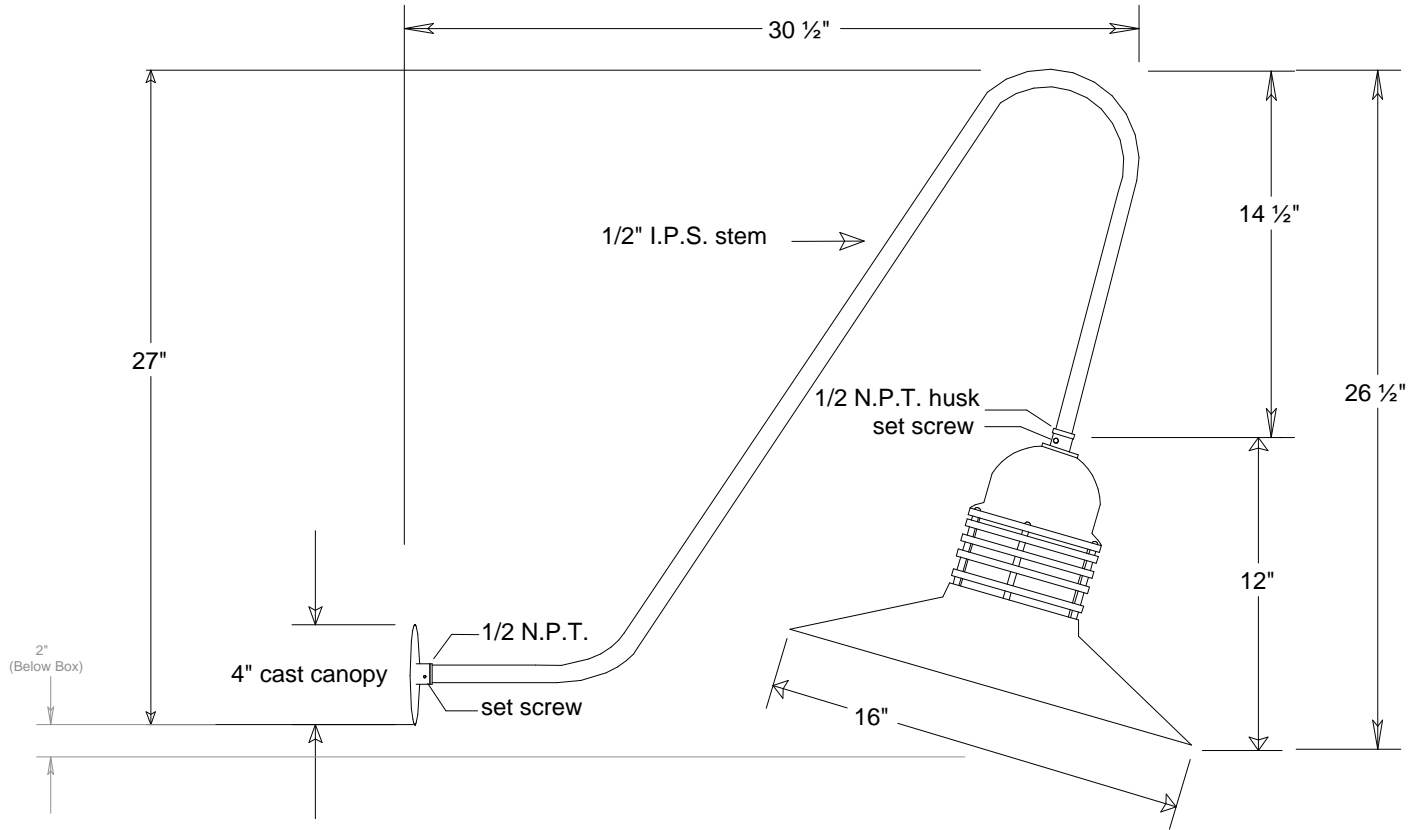




# Primelite Manufacturing Corp

407 S Main St, Freeport, NY 11520  
 Phone: 516-868-4411 | Fax: 516-868-4609  
 sales@primelite-mfg.com | www.primelite-mfg.com

PART #	LAMP	VOLTAGE	COLOR
JOB NAME			TYPE



<b>Unless Otherwise Specified:</b> Dimensions in Inches Tolerances: Fractional ± Angular: Mach ± Bend ± Two Place Decimal ± Three Place Decimal ±	<b>Name</b>	<b>Date</b>	<b>Gooseneck #427/16-869</b>			
	<b>Drawn</b>	lv				01/02/18
	<b>Checked</b>			16" Shade   30 1/2" Arm   2" Below Box Glass Jelly Jar (Clear, Frosted)		
	<b>ENG Appr.</b>					
	<b>MFR Appr.</b>					
<b>Construction: Aluminum, Glass</b>	<b>QA</b>		Size	Drawing No.	Rev	
<b>Lamp: Incandescent   LED</b>	<b>Comments</b>		<b>A</b>	<b>0001</b>	<b>A</b>	
<b>1/200A   LED10</b>			Scale	CAD File	Sheet	
					<b>1 of 1</b>	

Revisions				
Zone	Rev	Description	Date	Approved

