



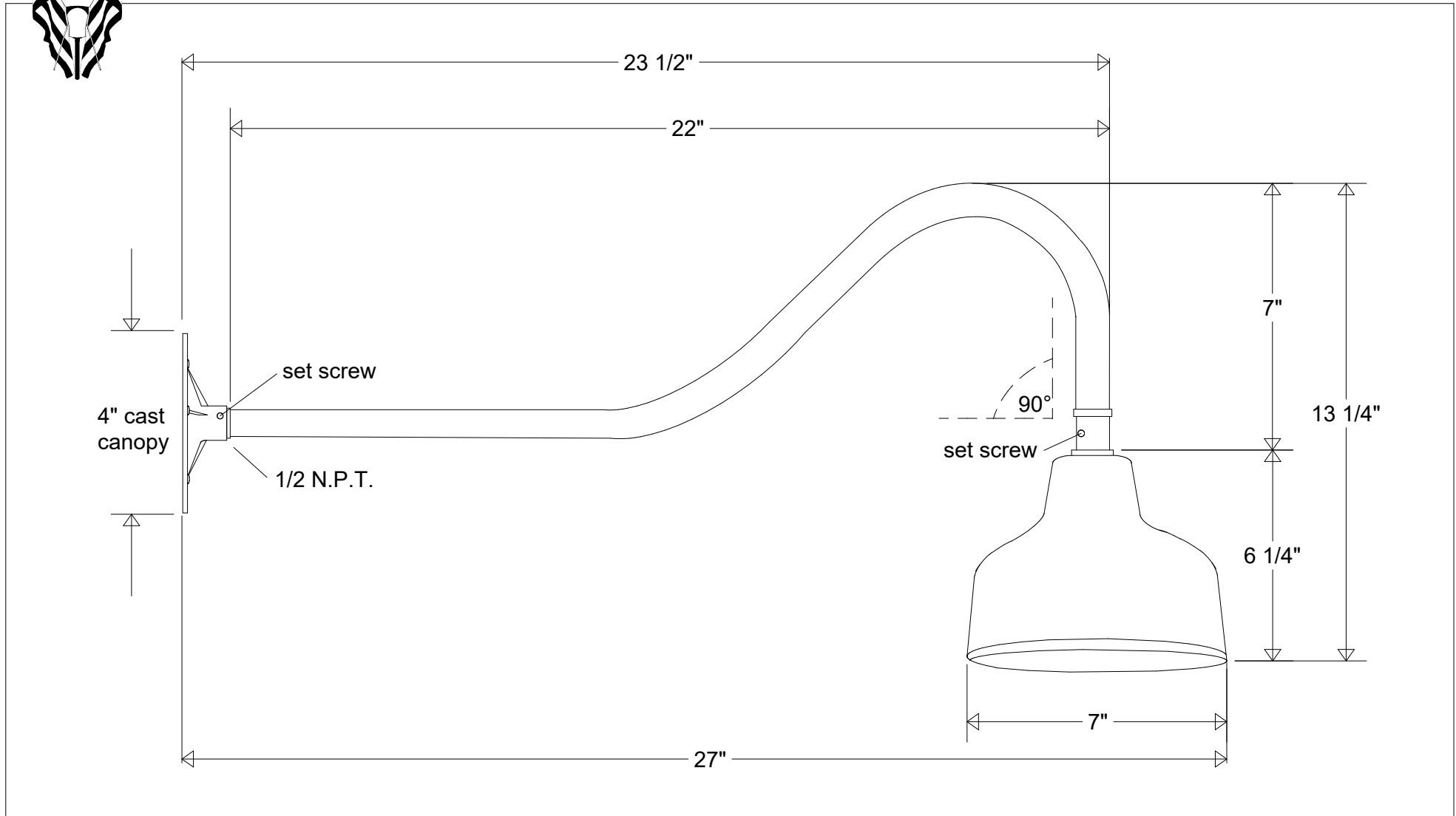
Primelite Manufacturing Corp


407 S Main St, Freeport, NY 11520

Phone: 516-868-4411 | Fax: 516-868-4609

sales@primelite-mfg.com | www.primelite-mfg.com

PART # #23/7-850	LAMP Incandescent LED	VOLTAGE 120 V	COLOR Powder Coated Paint
JOB NAME			TYPE Gooseneck



Lamp: Incandescent LED  1/60A	Name	Date	Gooseneck #23/7-850			
	Drawn	CB				11/19
	Checked			7" Dia 13 1/4" H 27" Ext		
	ENG Appr.					
	MFR Appr.			Size	Drawing No.	Rev
QA			A	0001	A	
Construction: Aluminum	Weight		Scale	CAD File	Sheet	
Unless Otherwise Specified: Dimensions in Inches					1 of 1	

Revisions				
Zone	Rev	Description	Date	Approved