

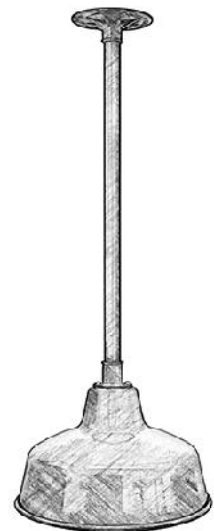
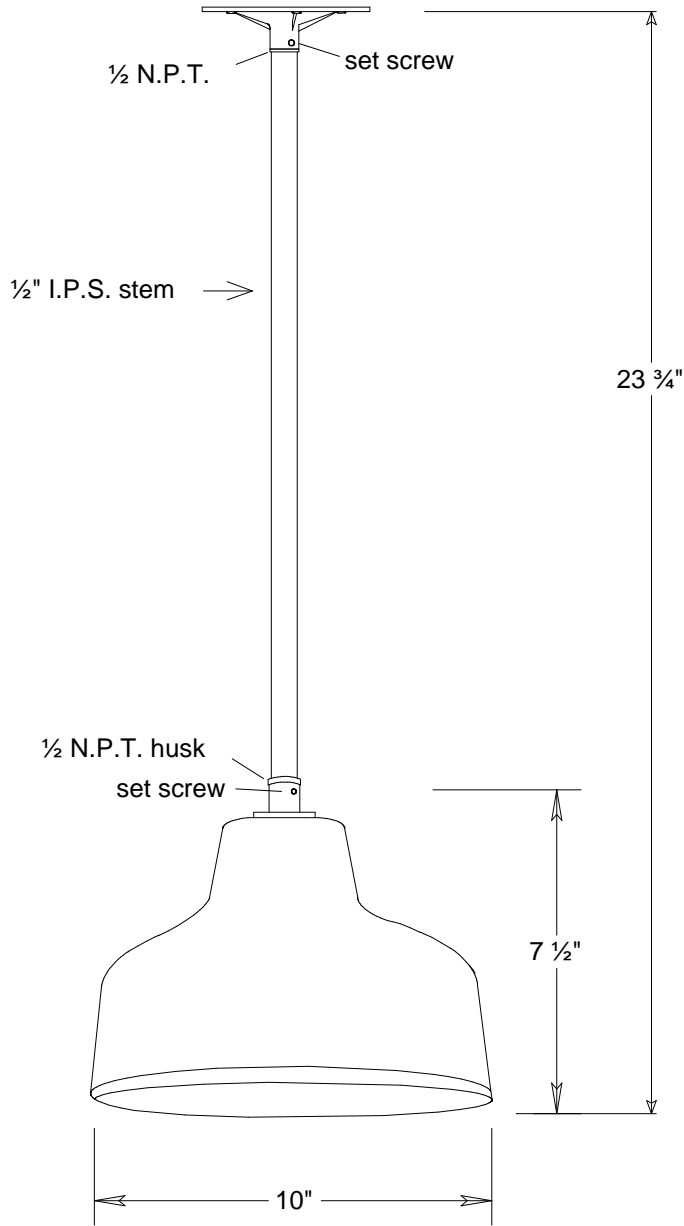





Primelite Manufacturing Corp

407 S Main St, Freeport, NY 11520

Phone: 516-868-4411 | Fax: 516-868-4609
 sales@primelite-mfg.com | www.primelite-mfg.com

PART # #23/10-18	LAMP Incandescent LED	VOLTAGE 120 V	COLOR Powder Coated Paint
JOB NAME			TYPE Pendant



Lamp: Incandescent LED    1/100A LED12 LED22	Name	Date	<h2 style="text-align: center;">Pendant #23/10-18</h2>			<table border="1" style="width: 100%; text-align: center;"> <thead> <tr> <th colspan="5">Revisions</th> </tr> <tr> <th>Zone</th> <th>Rev</th> <th>Description</th> <th>Date</th> <th>Approved</th> </tr> </thead> <tbody> <tr><td> </td><td> </td><td> </td><td> </td><td> </td></tr> <tr><td> </td><td> </td><td> </td><td> </td><td> </td></tr> <tr><td> </td><td> </td><td> </td><td> </td><td> </td></tr> <tr><td> </td><td> </td><td> </td><td> </td><td> </td></tr> </tbody> </table>					Revisions					Zone	Rev	Description	Date	Approved																				
	Revisions																																							
	Zone	Rev	Description	Date	Approved																																			
Drawn	iv	05/11/18	10" Dia Shade 18" Stem																																					
Checked																																								
ENG Appr.			Size	Drawing No.	Rev																																			
MFR Appr.			A	0001	A																																			
QA			Scale	CAD File	Sheet																																			
Comments					1 of 1																																			
Unless Otherwise Specified: Dimensions in Inches																																								