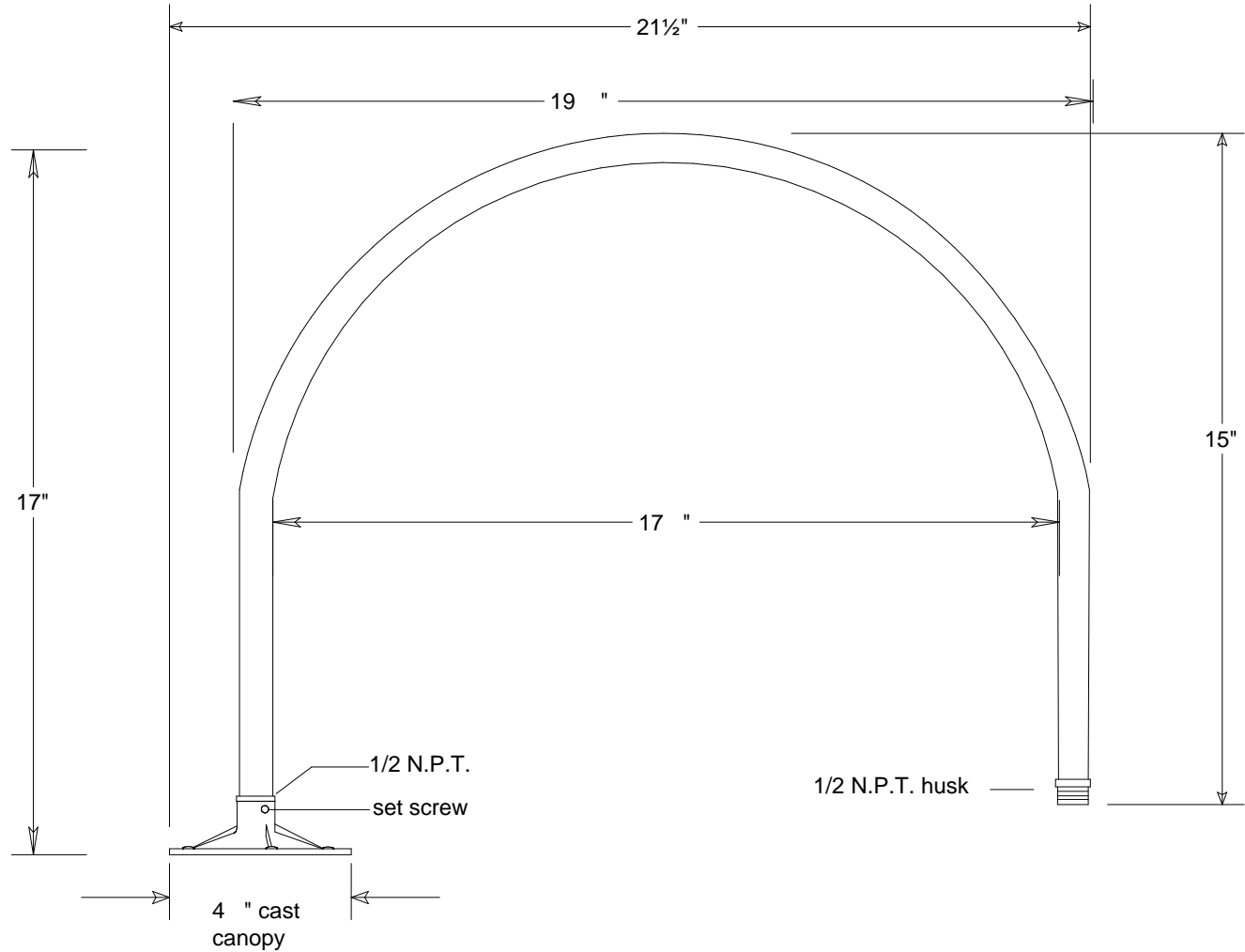




# Primelite Manufacturing Corp

407 S Main St, Freeport, NY 11520  
 Phone: 516-868-4411 | Fax: 516-868-4609  
 sales@primelite-mfg.com | www.primelite-mfg.com

PART # <b>#852</b>	LAMP n/a	VOLTAGE n/a	COLOR <b>Powder Coated Paint</b>
JOB NAME			TYPE <b>Wall Mount Arm</b>



<b>Unless Otherwise Specified:</b> Dimensions in Inches Tolerances: Fractional ± Angular: Mach ± Bend ± Two Place Decimal ± Three Place Decimal ±	<b>Name</b>	<b>Date</b>	<b>Gooseneck Arm #852</b>			
	Drawn	lv				12/01/17
	Checked			19 " Arm   1/2" Pipe   Parapet		
	ENG Appr.					
	MFR Appr.			Size	Drawing No.	Rev
QA			<b>A</b>	<b>0001</b>	<b>A</b>	
Construction: Aluminum	Comments		Scale	CAD File	Sheet	
					<b>1 of 1</b>	

Revisions				
Zone	Rev	Description	Date	Approved