

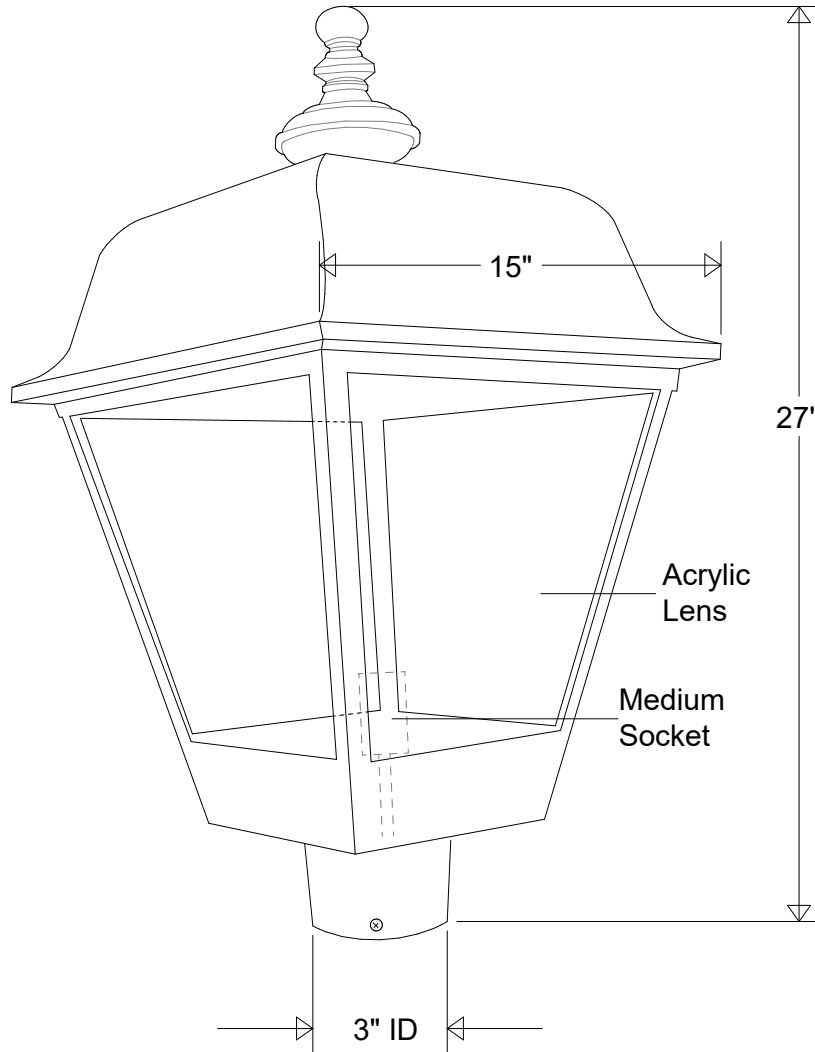



Primelite Manufacturing Corp

407 S Main St, Freeport, NY 11520

Phone: 516-868-4411 | Fax: 516-868-4609
 sales@primelite-mfg.com | www.primelite-mfg.com

PART # #1327	LAMP Incandescent LED	VOLTAGE 120 V	COLOR Powder Coated Paint
JOB NAME			TYPE Post Light



Lamp: Incandescent LED  1/400A	Name	Date	Post Light #1327 15" W 27" H Acrylic Lens Smoke White Clear Frosted			
	Drawn	CB				11/19
	Checked					
	Construction: Aluminum Acrylic Unless Otherwise Specified: Dimensions in Inches	ENG Appr. MFR Appr. QA Weight			Size A	Drawing No. 0001
			Scale	CAD File	Sheet 1 of 1	

Revisions				
Zone	Rev	Description	Date	Approved