

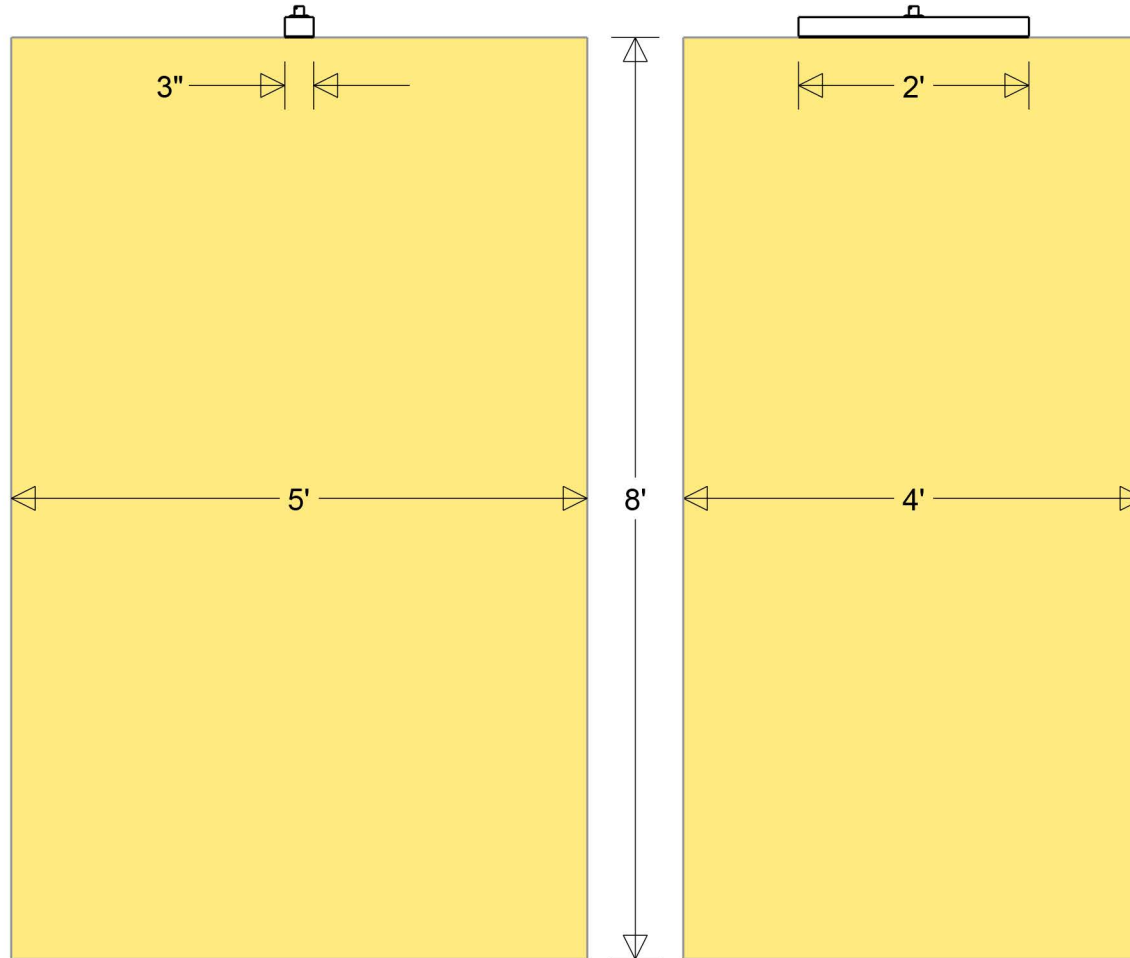


Primelite Manufacturing Corp.

407 S Main St, Freeport, NY 11520
Phone: (516) 868-4411 | Fax: (516) 868-4609
sales@primelite-mfg.com | www.primelite-mfg.com

PROUDLY MADE IN THE USA SINCE 1962!
"SPECIALTIES ARE OUR SPECIALTY!"

Job Info



#5744 Light Spread

4' W | 8' H | 5' D
For #5744 Series Linear Lights

Lamp: N/A	Finish: N/A	Drawn: CB 05/2024	Scale: 1/20	Approvals	
Voltage: N/A	Material: N/A	Note: All dimensions are nominal. Actual dimensions may vary.			

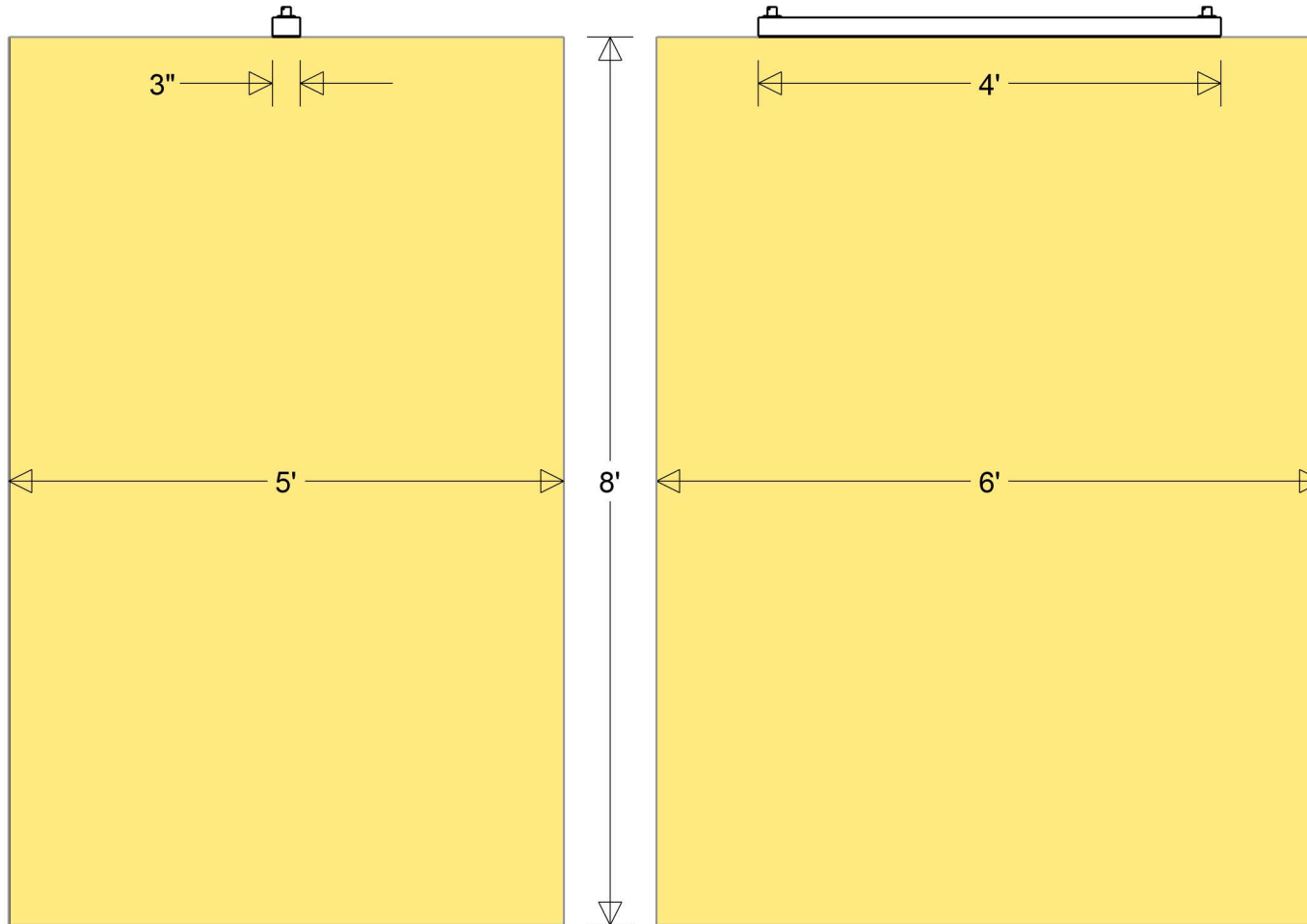


Primelite Manufacturing Corp.

407 S Main St, Freeport, NY 11520
 Phone: (516) 868-4411 | Fax: (516) 868-4609
 sales@primelite-mfg.com | www.primelite-mfg.com

PROUDLY MADE IN THE USA SINCE 1962!
"SPECIALTIES ARE OUR SPECIALTY!"

Job Info



#5750 Light Spread

6' W | 8' H | 5' D
 For #5750 Series Linear Lights

Lamp: N/A	Finish: N/A	Drawn: CB 05/2024	Scale: 1/20	Approvals	
Voltage: N/A	Material: N/A	Note: All dimensions are nominal. Actual dimensions may vary.			

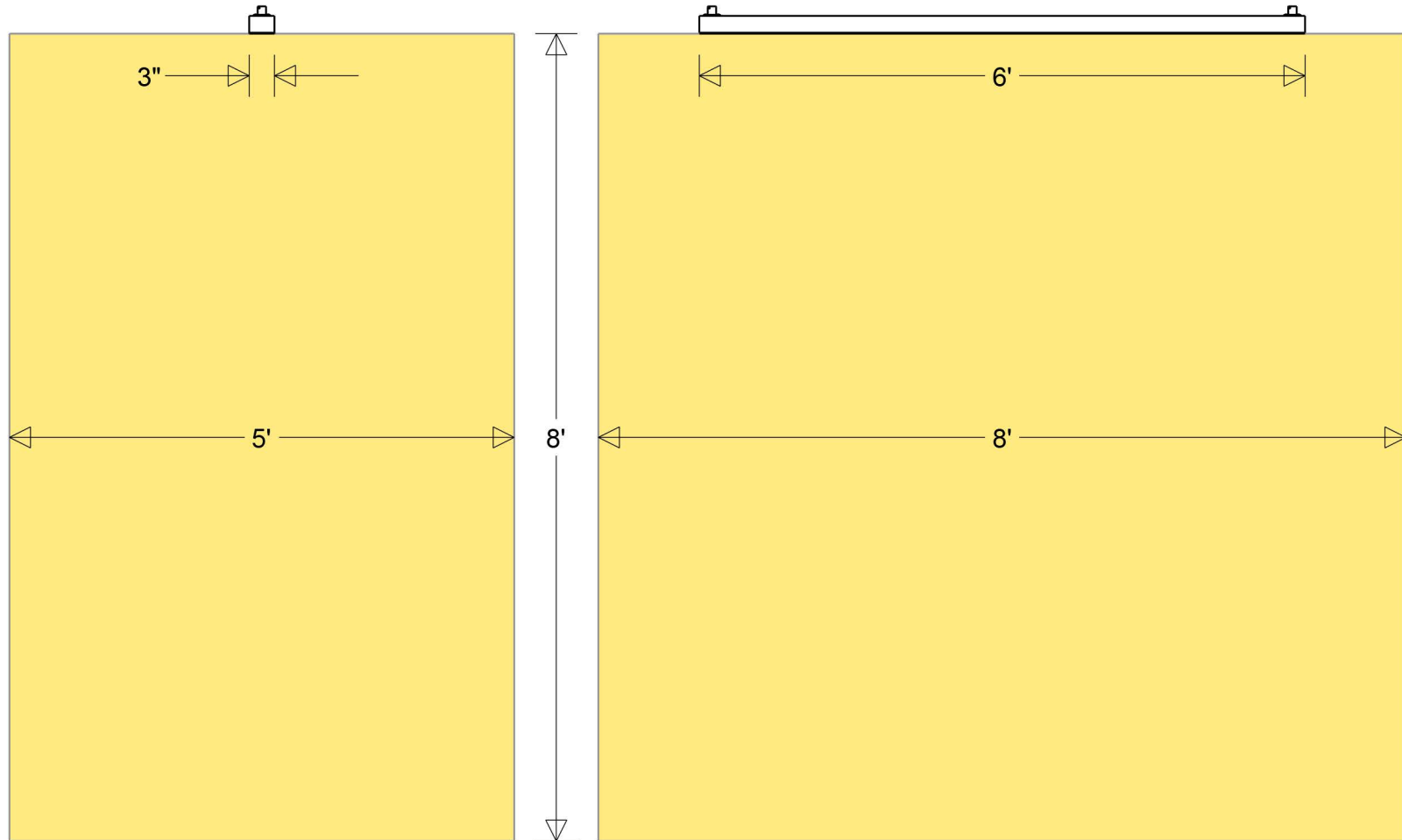


Primelite Manufacturing Corp.

407 S Main St, Freeport, NY 11520
Phone: (516) 868-4411 | Fax: (516) 868-4609
sales@primelite-mfg.com | www.primelite-mfg.com

PROUDLY MADE IN THE USA SINCE 1962!
"SPECIALTIES ARE OUR SPECIALTY!"

Job Info



#5772 Light Spread

8' W | 8' H | 5' D
For #5772 Series Linear Lights

Lamp: N/A	Finish: N/A	Drawn: CB 05/2024	Scale: 1/20	Approvals	
Voltage: N/A	Material: N/A	Note: All dimensions are nominal. Actual dimensions may vary.			

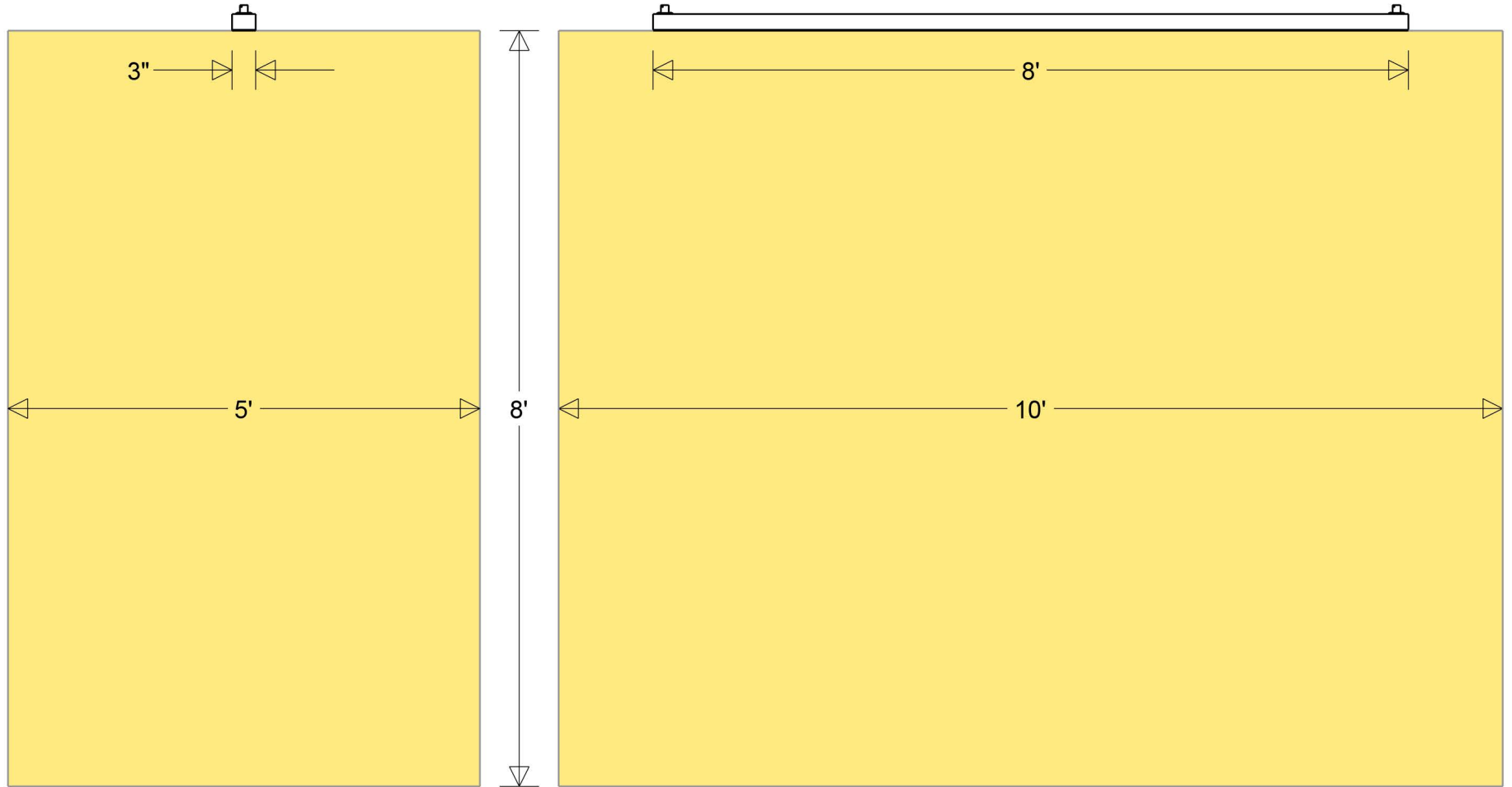


Primelite Manufacturing Corp.

407 S Main St, Freeport, NY 11520
Phone: (516) 868-4411 | Fax: (516) 868-4609
sales@primelite-mfg.com | www.primelite-mfg.com

PROUDLY MADE IN THE USA SINCE 1962!
"SPECIALTIES ARE OUR SPECIALTY!"

Job Info



#5751 Light Spread

10' W | 8' H | 5' D
For #5751 Series Linear Lights

Lamp: N/A	Finish: N/A	Drawn: CB 05/2024	Scale: 1/20	Approvals	
Voltage: N/A	Material: N/A	Note: All dimensions are nominal. Actual dimensions may vary.			