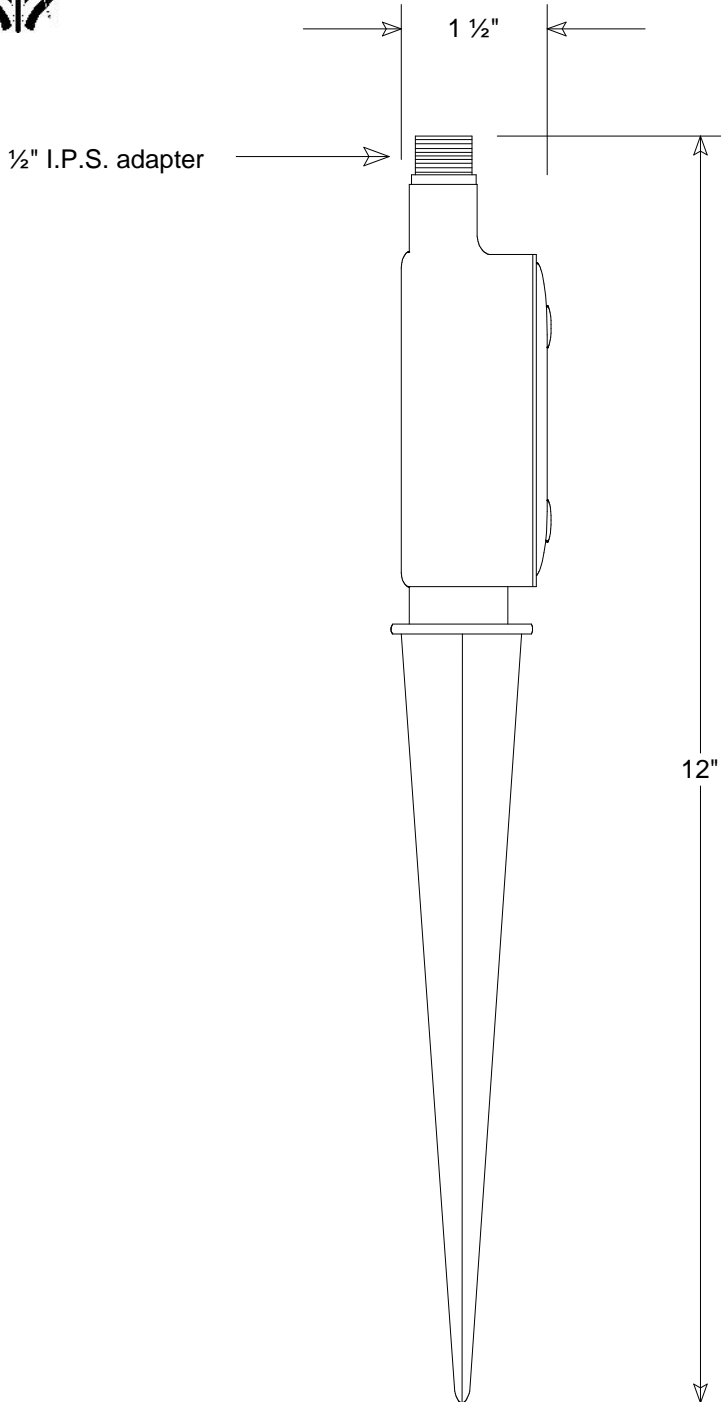




# Primelite Manufacturing Corp

407 S Main St, Freeport, NY 11520  
 Phone: 516-868-4411 | Fax: 516-868-4609  
 sales@primelite-mfg.com | www.primelite-mfg.com

PART # <b>#9002</b>	LAMP	VOLTAGE	COLOR <b>Powder Coated Colors</b>
JOB NAME			TYPE <b>Garden Stake</b>



**Unless Otherwise Specified:**  
 Dimensions in Inches  
 Tolerances: Fractional ±  
 Angular: Mach ± Bend ±  
 Two Place Decimal ±  
 Three Place Decimal ±

<b>Construction: Aluminum</b>  Comments	<b>Name</b>	<b>Date</b>	<b>Stake #9002B</b> Garden Light Stake   1/2" Pipe Male			
	Drawn	iv				06/13/18
	Checked			Size	Drawing No.	Rev
	ENG Appr.			<b>A</b>	<b>0001</b>	<b>A</b>
	MFR Appr.			Scale	CAD File	Sheet
	QA				<b>1 of 1</b>	

Revisions				
Zone	Rev	Description	Date	Approved