

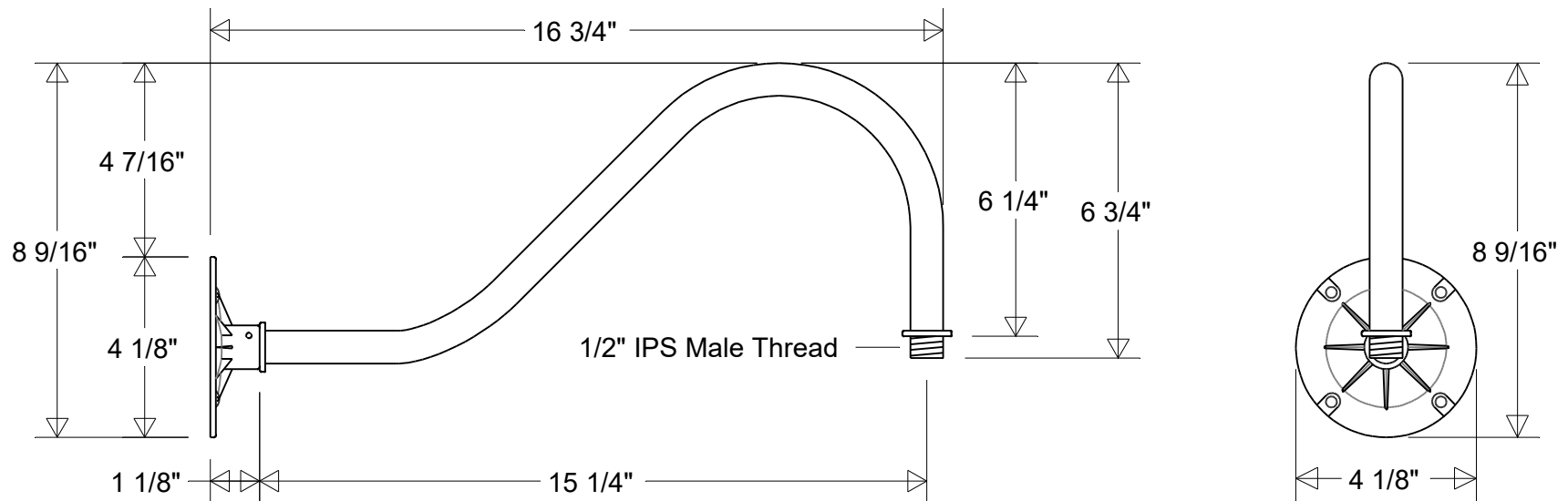


Primelite Manufacturing Corp.

407 S Main St, Freeport, NY 11520
 Phone: (516) 868-4411 | Fax: (516) 868-4609
 sales@primelite-mfg.com | www.primelite-mfg.com

PROUDLY MADE IN THE USA SINCE 1962!
"SPECIALTIES ARE OUR SPECIALTY!"

Job Info



#859

Lamp: N/A	Finish: 29 Oven Baked Powder Coated Paints	Drawn: CB 04/2025	Scale: 1/4	Approvals	
16 3/4" Ext 8 9/16" H 4 1/8" Canopy 1/2" IPS Compatible with "A" series shades	Voltage: N/A	Material: Aluminum	Note: All dimensions are nominal. Actual dimensions may vary.		