

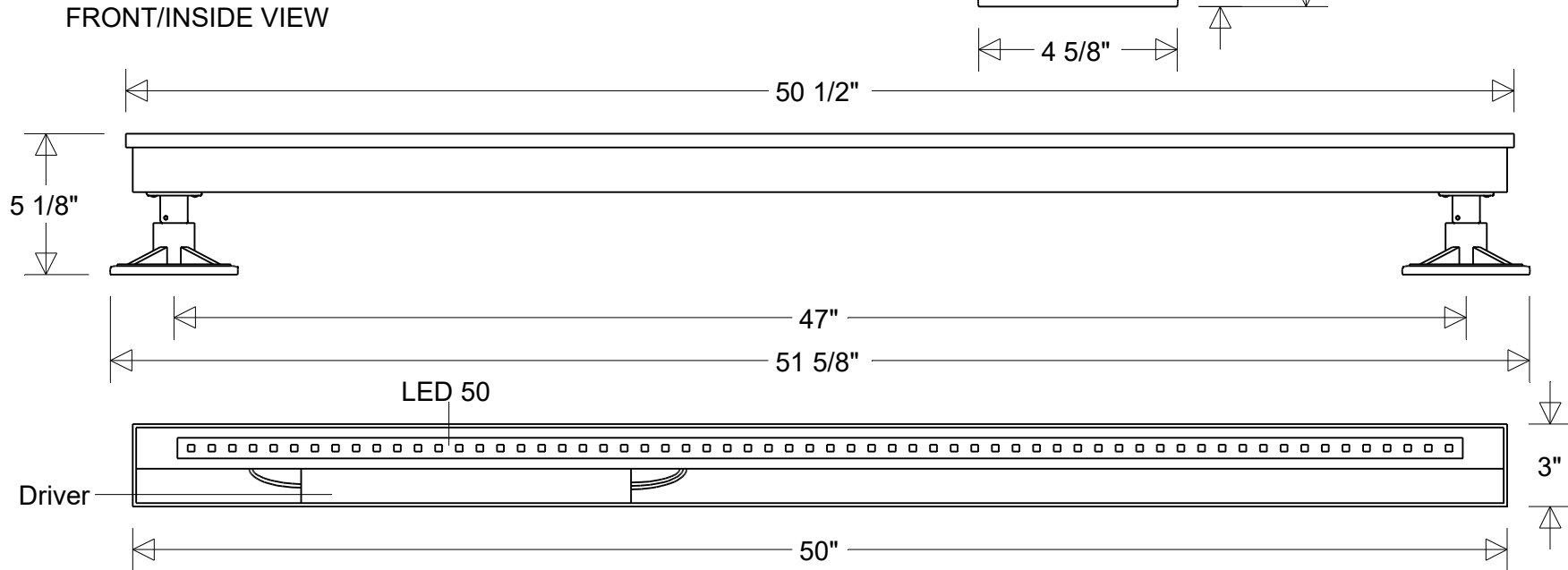
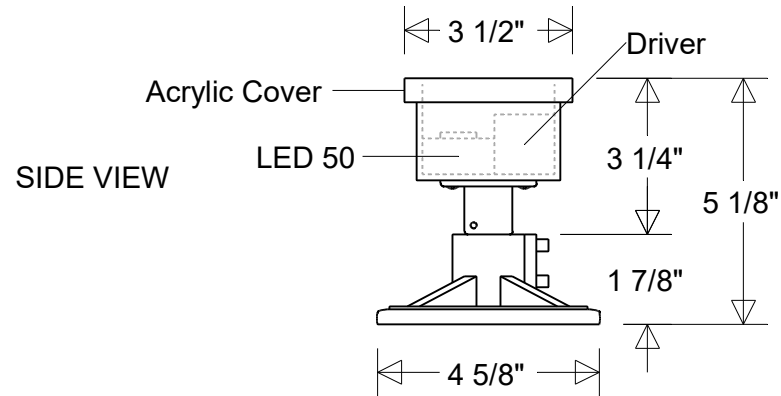


Primelite Manufacturing Corp.

407 S Main St, Freeport, NY 11520
 Phone: (516) 868-4411 | Fax: (516) 868-4609
 sales@primelite-mfg.com | www.primelite-mfg.com

PROUDLY MADE IN THE USA SINCE 1962!
"SPECIALTIES ARE OUR SPECIALTY!"

Job Info



#5750/* F Up LED 50 NonDimm

51 5/8" L | 4 5/8" W | 5 1/8" H | 47" Center to Center
 Cover: White (*3) | Clear (*4) | Frosted (*5)

Lamp: 50 W LED
 CCT: 35K or 5K | Others
 75W MH Equivalent
 80 CRI
 120-277 V
 Non-Dimming

Finish:
 29 Oven Baked
 Powder Coated Paints
Material:
 Aluminum
 Acrylic Cover

Drawn:
 CB
 04/2026
Scale:
 Side View: 1/4
 Front/Inside View: 1 / 6.25
Note:
 All dimensions are nominal.
 Actual dimensions may vary.

CAUTION:
 This fixture is designed for use as an up light only.
 We can modify the fixture for use as a down light. Please contact us.

Approvals
