

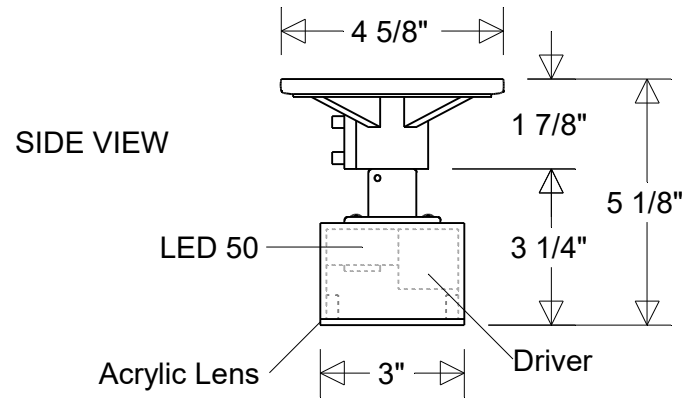


# Primelite Manufacturing Corp.

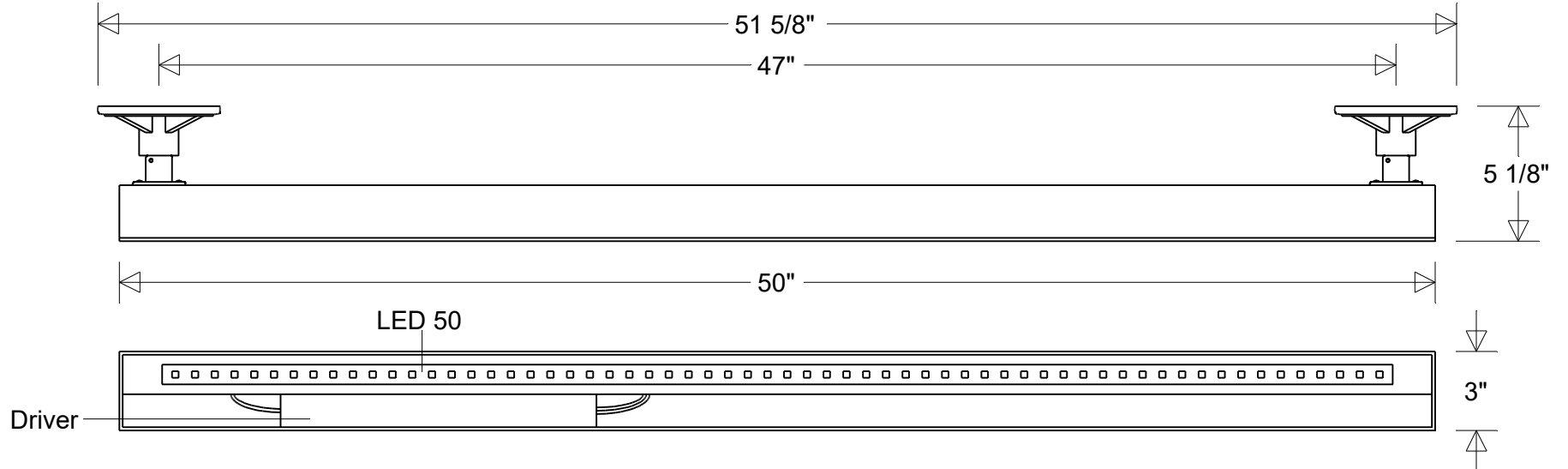
407 S Main St, Freeport, NY 11520  
 Phone: (516) 868-4411 | Fax: (516) 868-4609  
 sales@primelite-mfg.com | www.primelite-mfg.com

**PROUDLY MADE IN THE USA SINCE 1962!**  
**"SPECIALTIES ARE OUR SPECIALTY!"**

## Job Info



## FRONT/INSIDE VIEW



### #5750/\* F LED 50 Dimm

51 5/8" L | 4 5/8" W | 5 1/8" H | 47" Center to Center  
 Lens: White (\*3) | Clear (\*4) | Frosted (\*5)

**Lamp: 50 W LED**  
 CCT: 35K or 5K | Others  
 75W MH Equivalent  
 80 CRI  
 120-277 V  
 0-10 V Dimming

**Finish:**  
 29 Oven Baked  
 Powder Coated Paints  
**Material:**  
 Aluminum  
 Acrylic Lens

**Drawn:**  
 CB  
 04/2026  
**Scale:**  
 Side View: 1/4  
 Front/Inside View: 1 / 6.25  
**Note:**  
 All dimensions are nominal.  
 Actual dimensions may vary.

**CAUTION:**  
 This fixture is designed for use as a down light only.  
 We can modify the fixture for use as an up light.  
 Please contact us.

#### Approvals
