

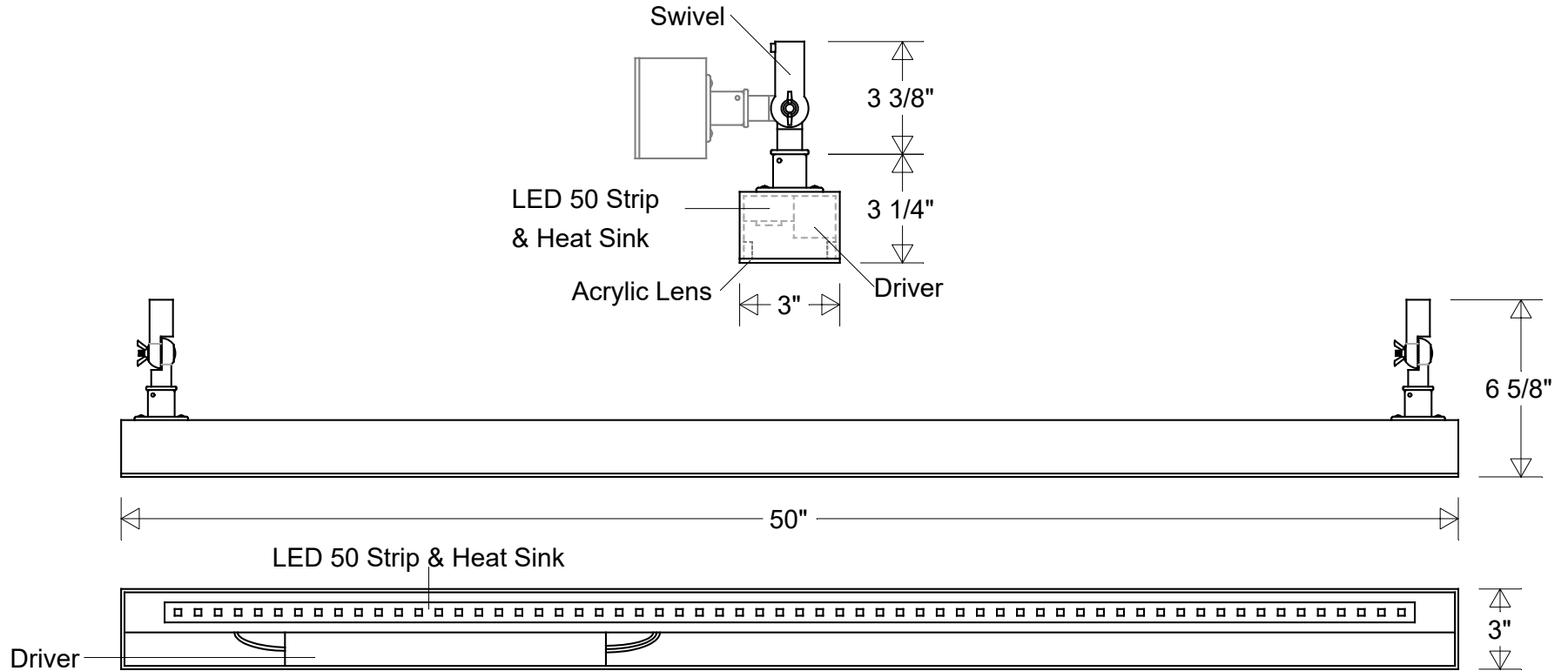



Primelite Manufacturing Corp

407 S Main St, Freeport, NY 11520

Phone: 516-868-4411 | Fax: 516-868-4609
 sales@primelite-mfg.com | www.primelite-mfg.com

PART # #5750A ESW LED 50	LAMP Built-In LED	VOLTAGE 120 - 277 V	COLOR Powder Coated Paint
JOB NAME			TYPE Linear Sign Light



Lamp: LED 50 Strip 35K = 7000 Lumens 5K = 7000 Lumens 	Initials	Date	#5750A ESW LED 50		
	Drawn	CB			12/2023
	Checked			50" L 3" W 6 5/8" H 47" Center to Center Mount Acrylic Lens: White (-3) Clear (-4) Frosted (-5)	
	ENG Appr.				
Construction: Aluminum Acrylic	MFR Appr.		Size	Drawing No.	Rev
	QA		A	0001	A
Unless Otherwise Specified: Dimensions in Inches	Weight:		Scale	CAD File	Sheet
					1 of 1

Revisions				
Zone	Rev	Description	Date	Appr