

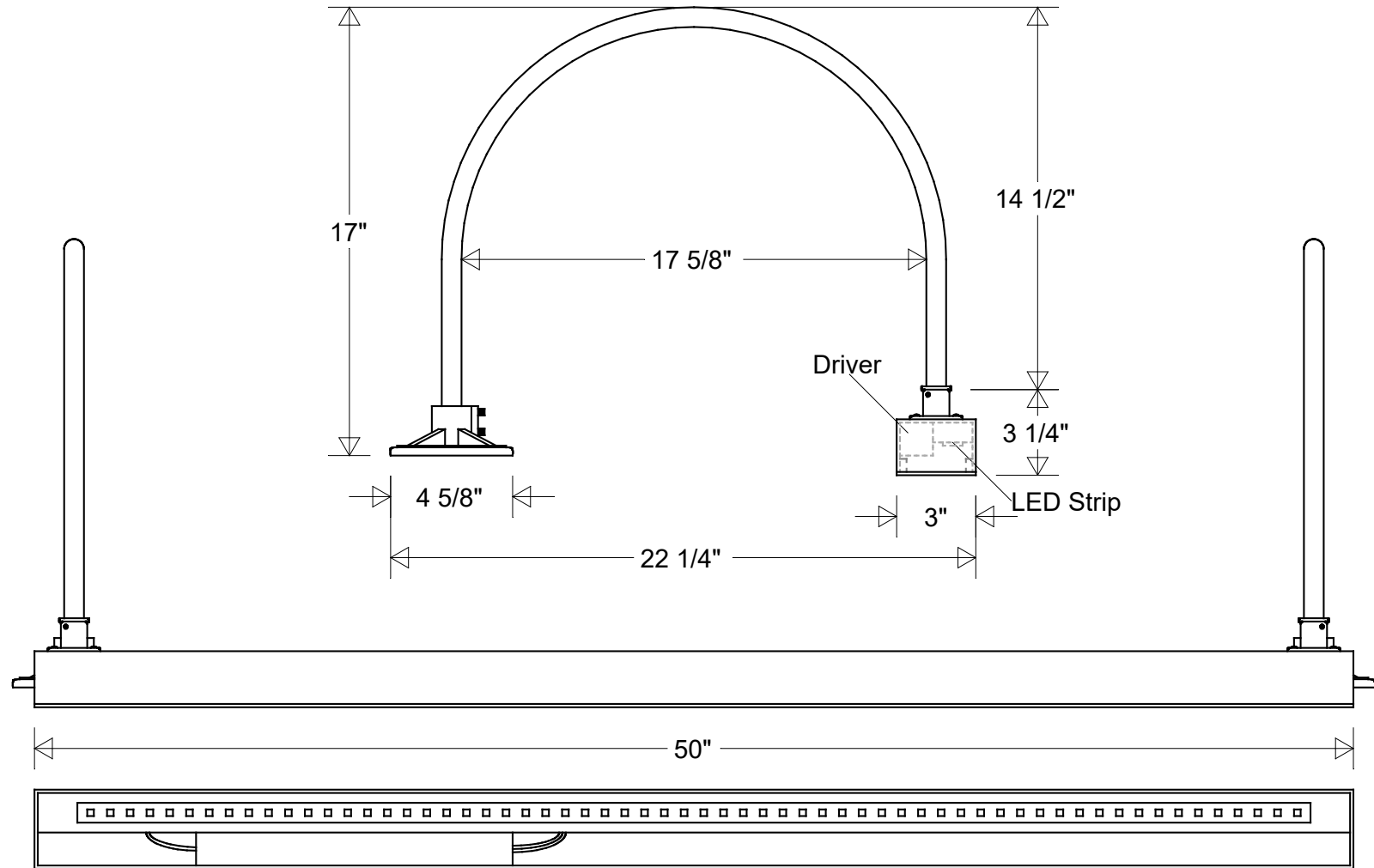


# Primelite Manufacturing Corp

407 S Main St, Freeport, NY 11520

Phone: 516-868-4411 | Fax: 516-868-4609  
 sales@primelite-mfg.com | www.primelite-mfg.com

<b>PART #</b> #5750/852 LED 50	<b>LAMP</b> Built-In LED	<b>VOLTAGE</b> 120 - 277 V	<b>COLOR</b> Powder Coated Paint
<b>JOB NAME</b>			<b>TYPE</b> Linear Sign Light



Lamp: LED 50 Strip  
 35K = 7000 Lumens  
 5K = 7000 Lumens



## Sign Light #5750/852 LED 50

51 5/8" L | 22 1/4" Ext | 17 3/4" H | 47" Center to Center Arms  
 Acrylic Lens: White (-3) | Clear (-4) | Frosted (-5)

Construction:  
 Aluminum | Acrylic

Unless Otherwise Specified:  
 Dimensions in Inches

	<b>Initials</b>	<b>Date</b>
<b>Drawn</b>	CB	03/2022
<b>Checked</b>		
<b>ENG Appr.</b>		
<b>MFR Appr.</b>		
<b>QA</b>		

<b>Size</b>	<b>Drawing No.</b>	<b>Rev</b>
<b>A</b>	<b>0001</b>	<b>A</b>

<b>Scale</b>	<b>CAD File</b>	<b>Sheet</b>
		<b>1 of 1</b>

### Revisions

Zone	Rev	Description	Date	Appr