



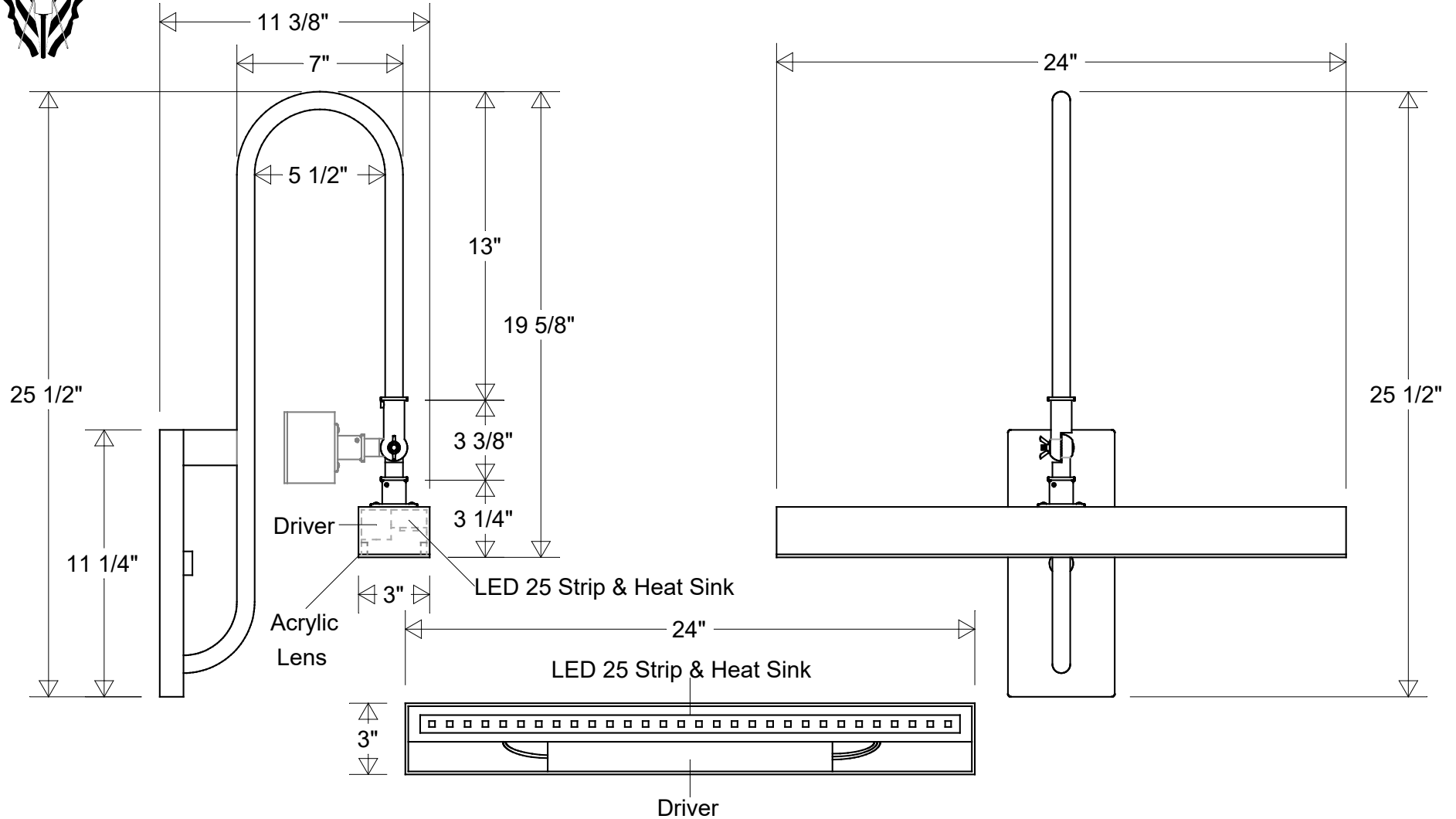
Primelite Manufacturing Corp


407 S Main St, Freeport, NY 11520

Phone: 516-868-4411 | Fax: 516-868-4609

sales@primelite-mfg.com | www.primelite-mfg.com

PART # #5744/872 ESW LED 25	LAMP Built-In LED	VOLTAGE 120 - 277 V	COLOR Powder Coated Paint
JOB NAME			TYPE Linear Wall Light



Lamp: LED 25 Strip 35K = 3920 Lumens 5K = 3920 Lumens 	Initials	Date	<h2>Wall Light #5744/872 ESW LED 25</h2>			
	Drawn	CB				09/2022
	Checked			24" L 11 3/8" Ext 25 1/2" H Acrylic Lens: White (-3) Clear (-4) Frosted (-5)		
	ENG Appr.			Size	Drawing No.	Rev
Construction: Aluminum Acrylic	MFR Appr.		A	0001	A	
Unless Otherwise Specified: Dimensions in Inches	QA		Scale	CAD File	Sheet	
Weight:					1 of 1	

Revisions				
Zone	Rev	Description	Date	Appr