

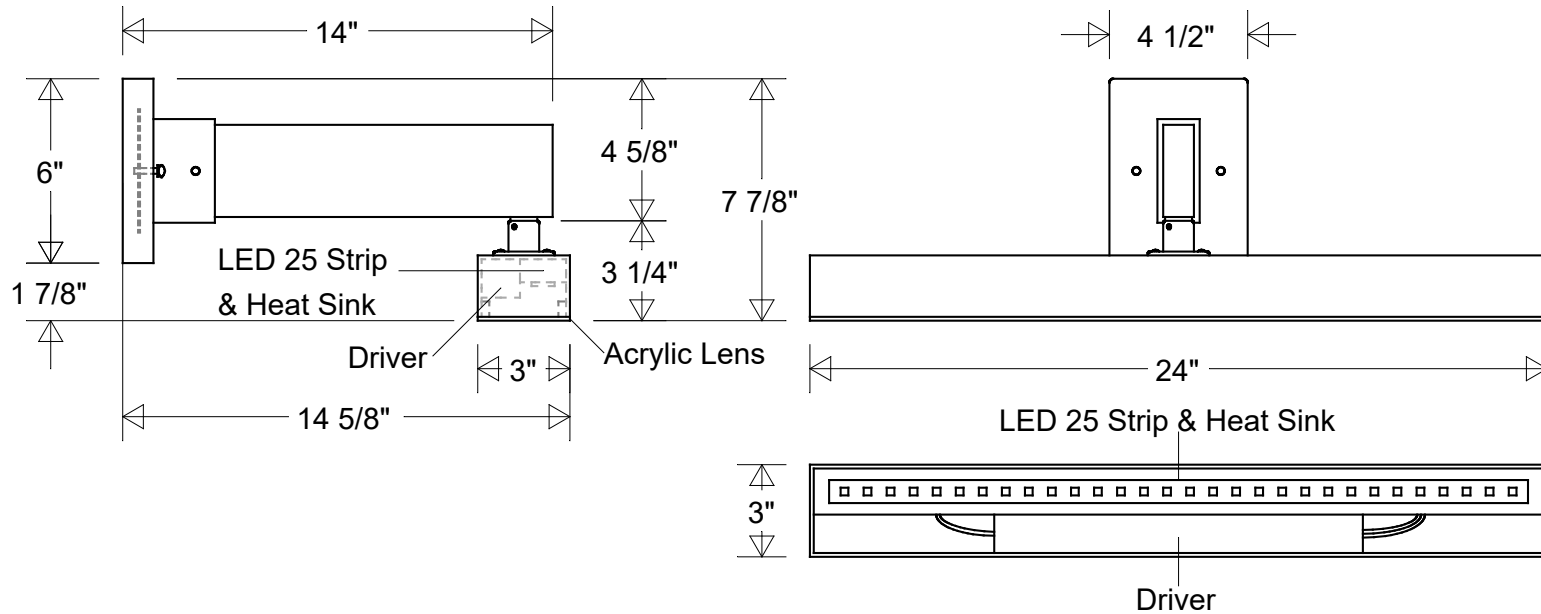



# Primelite Manufacturing Corp

407 S Main St, Freeport, NY 11520

Phone: 516-868-4411 | Fax: 516-868-4609  
 sales@primelite-mfg.com | www.primelite-mfg.com

PART # #5744/861 LED 25	LAMP Built-In LED	VOLTAGE 120 - 277 V	COLOR Powder Coated Paint
JOB NAME			TYPE Linear Wall Light



<b>Lamp: LED 25 Strip</b> 35K = 3920 Lumens 5K = 3920 Lumens  	Initials	Date	<b>Wall Light #5744/861 LED 25</b>			
	Drawn	CB				09/2022
	Checked			24" L   14 5/8" Ext   7 7/8" H		
	ENG Appr.			Acrylic Lens: White (-3)   Clear (-4)   Frosted (-5)		
Construction: Aluminum   Acrylic	MFR Appr.		Size	Drawing No.	Rev	
	QA		<b>A</b>	<b>0001</b>	<b>A</b>	
Unless Otherwise Specified: Dimensions in Inches	Weight:		Scale	CAD File	Sheet	
					<b>1 of 1</b>	

Revisions				
Zone	Rev	Description	Date	Appr