

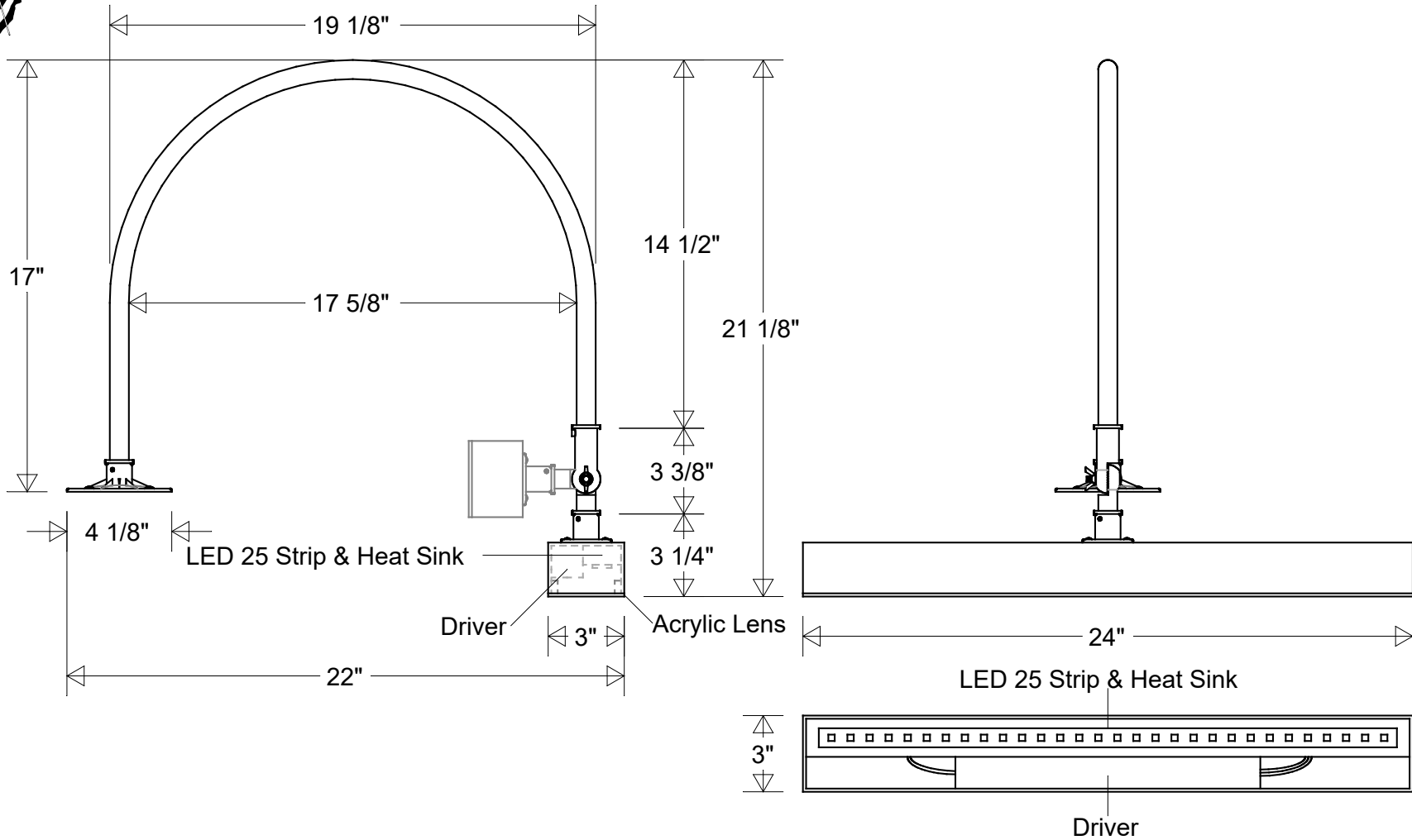


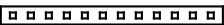
Primelite Manufacturing Corp

407 S Main St, Freeport, NY 11520

Phone: 516-868-4411 | Fax: 516-868-4609
 sales@primelite-mfg.com | www.primelite-mfg.com

PART # #5744/852 ESW LED 25	LAMP Built-In LED	VOLTAGE 120 - 277 V	COLOR Powder Coated Paint
JOB NAME			TYPE Linear Parapet Light



Lamp: LED 25 Strip 35K = 3920 Lumens 5K = 3920 Lumens 	Initials	Date
	Drawn	CB 09/2022
	Checked	
	ENG Appr.	
Construction: Aluminum Acrylic	MFR Appr.	
Unless Otherwise Specified: Dimensions in Inches	QA	

Parapet Light #5744/852 ESW LED 25		
24" L 22" Ext 21 1/8" H		
Acrylic Lens: White (-3) Clear (-4) Frosted (-5)		
Size	Drawing No.	Rev
A	0001	A
Scale	CAD File	Sheet
		1 of 1

Revisions				
Zone	Rev	Description	Date	Appr