

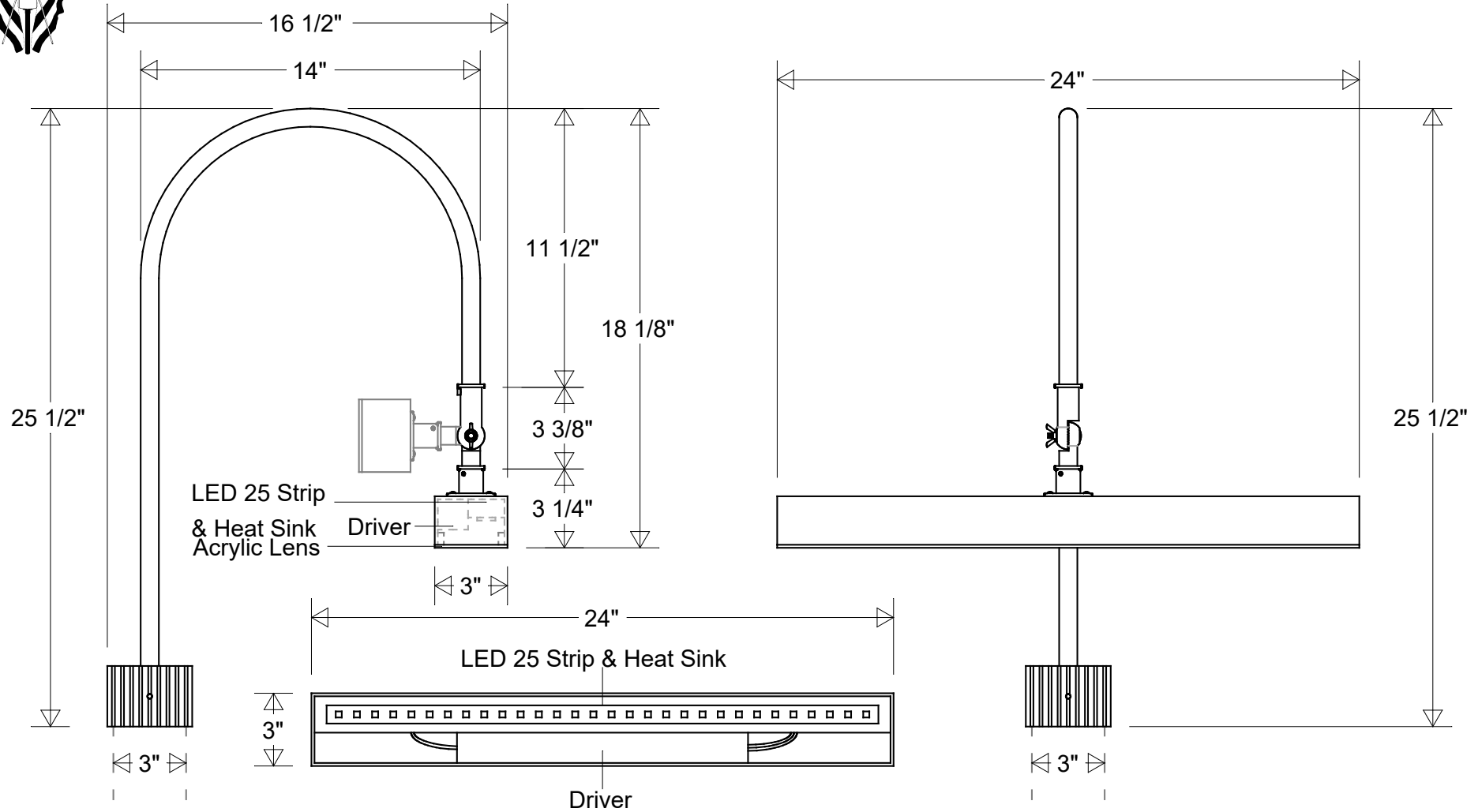


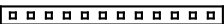
Primelite Manufacturing Corp

407 S Main St, Freeport, NY 11520

Phone: 516-868-4411 | Fax: 516-868-4609
 sales@primelite-mfg.com | www.primelite-mfg.com

PART # #5744/1862 ESW LED 25	LAMP Built-In LED	VOLTAGE 120 - 277 V	COLOR Powder Coated Paint
JOB NAME			TYPE Linear Post Light



Lamp: LED 25 Strip 35K = 3920 Lumens 5K = 3920 Lumens 	Initials	Date	<h2>Post Light #5744/1862 ESW LED 25</h2> <p>24" L 16 1/2" Ext 25 1/2" H Fits 3" OD Round Posts</p> <p>Acrylic Lens: White (-3) Clear (-4) Frosted (-5)</p>	
	Drawn	CB		09/2022
	Checked			
	ENG Appr.			
Construction: Aluminum Acrylic	MFR Appr.		Size Drawing No. Rev A 0001 A	
	QA			
	Weight:			
Unless Otherwise Specified: Dimensions in Inches	Scale	CAD File	Sheet 1 of 1	

Revisions				
Zone	Rev	Description	Date	Appr