

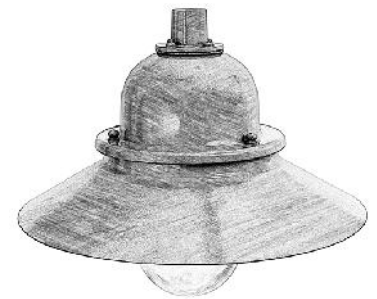
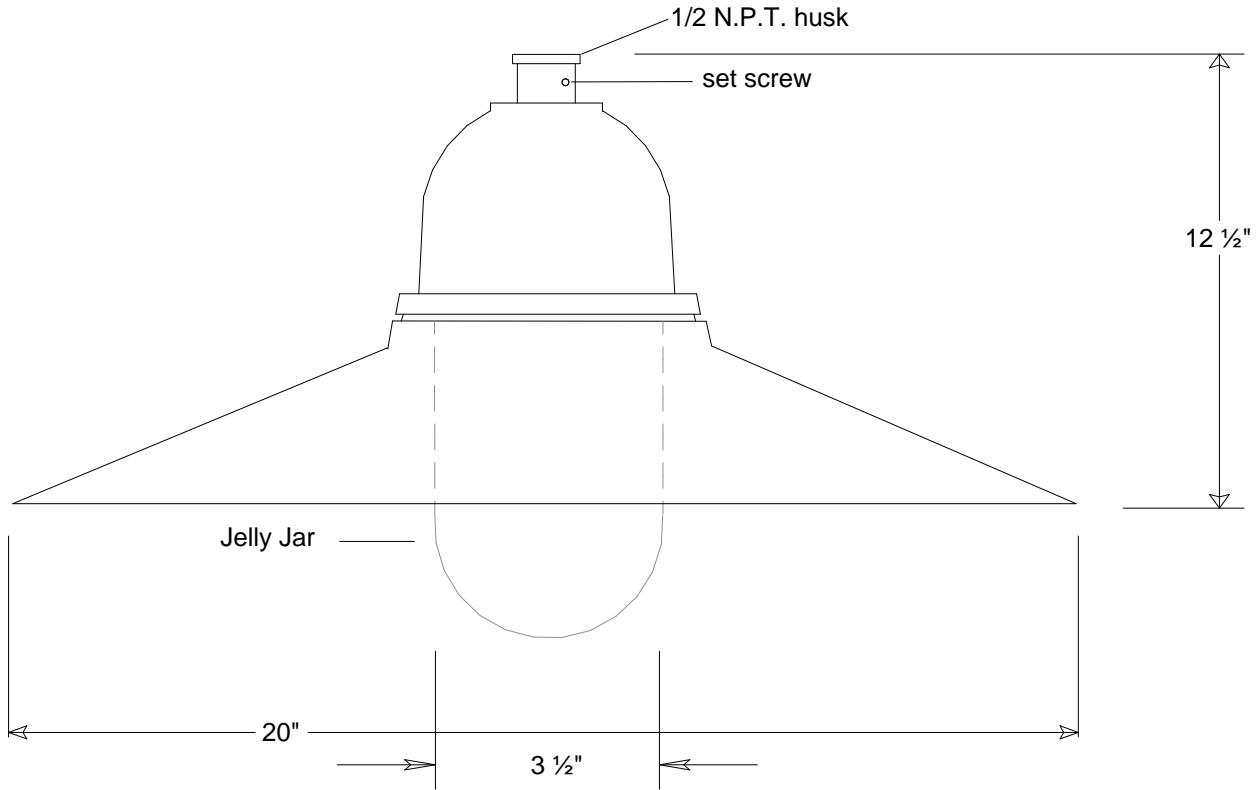


Primelite Manufacturing Corp

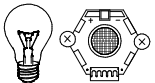
407 S Main St, Freeport, NY 11520

Phone: 516-868-4411 | Fax: 516-868-4609
 sales@primelite-mfg.com | www.primelite-mfg.com

PART # #423/20A	LAMP Incandescent LED	VOLTAGE 120 V	COLOR Power Coated Paint
JOB NAME			TYPE Shade



Lamp: Incandescent | LED



1/200A | LED10

Construction: Aluminum | Glass

Unless Otherwise Specified:
 Dimensions in Inches

Name	Date	Shade #423/20A			
Drawn: iv	04/27/18	20" Dia Shade 4" Dia Glass Jelly Jar			
Checked:					
ENG Appr.:					
MFR Appr.:		Size	Drawing No.	Rev	
QA		A	0001	A	
Jelly Jar	Clear, Frosted, Blue, Red, Green, Yellow	Scale	CAD File	Sheet	1 of 1

Revisions				
Zone	Rev	Description	Date	Approved