

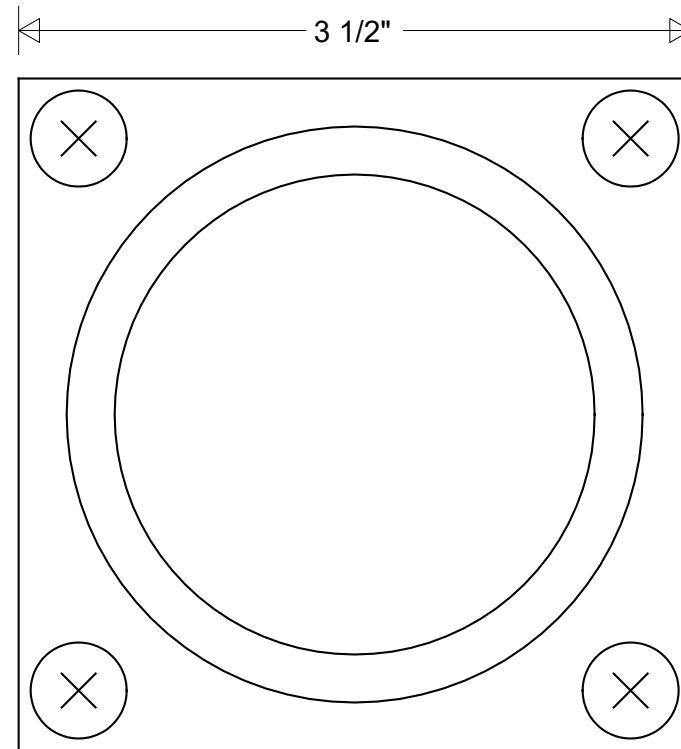
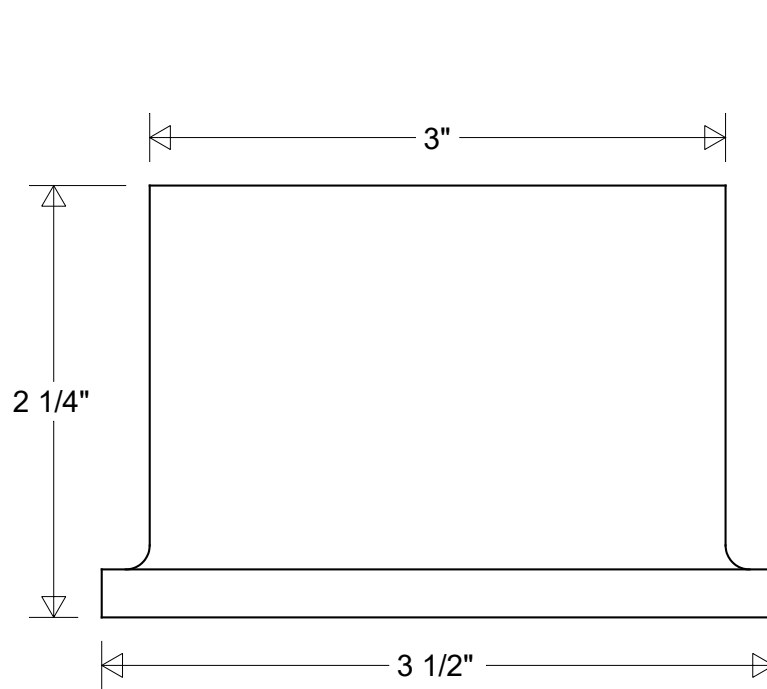


Primelite Manufacturing Corp

407 S Main St, Freeport, NY 11520

Phone: 516-868-4411 | Fax: 516-868-4609
 sales@primelite-mfg.com | www.primelite-mfg.com

| | | | |
|--------------|-------------|----------------|------------------------------|
| PART # #4 | LAMP N/A | VOLTAGE N/A | COLOR Powder Coated Paint |
| JOB NAME | | | TYPE Pier Mount |



| | | | | | |
|---|-----------|------|------------------|---|------------------------|
| Lamp: N/A | Initials | Date | #4 | | |
| | Drawn | CB | | | 03/2024 |
| | Checked | | | 3 1/2" W 2 1/4" H For 3" ID Fixtures | |
| | ENG Appr. | | | | |
| Construction: Aluminum | MFR Appr. | | Size A | Drawing No. 0001 | Rev A |
| Unless Otherwise Specified: Dimensions in Inches | Weight: | | Scale | CAD File | Sheet 1 of 1 |

| Revisions | | | | |
|-----------|-----|-------------|------|------|
| Zone | Rev | Description | Date | Appr |
| | | | | |
| | | | | |
| | | | | |