

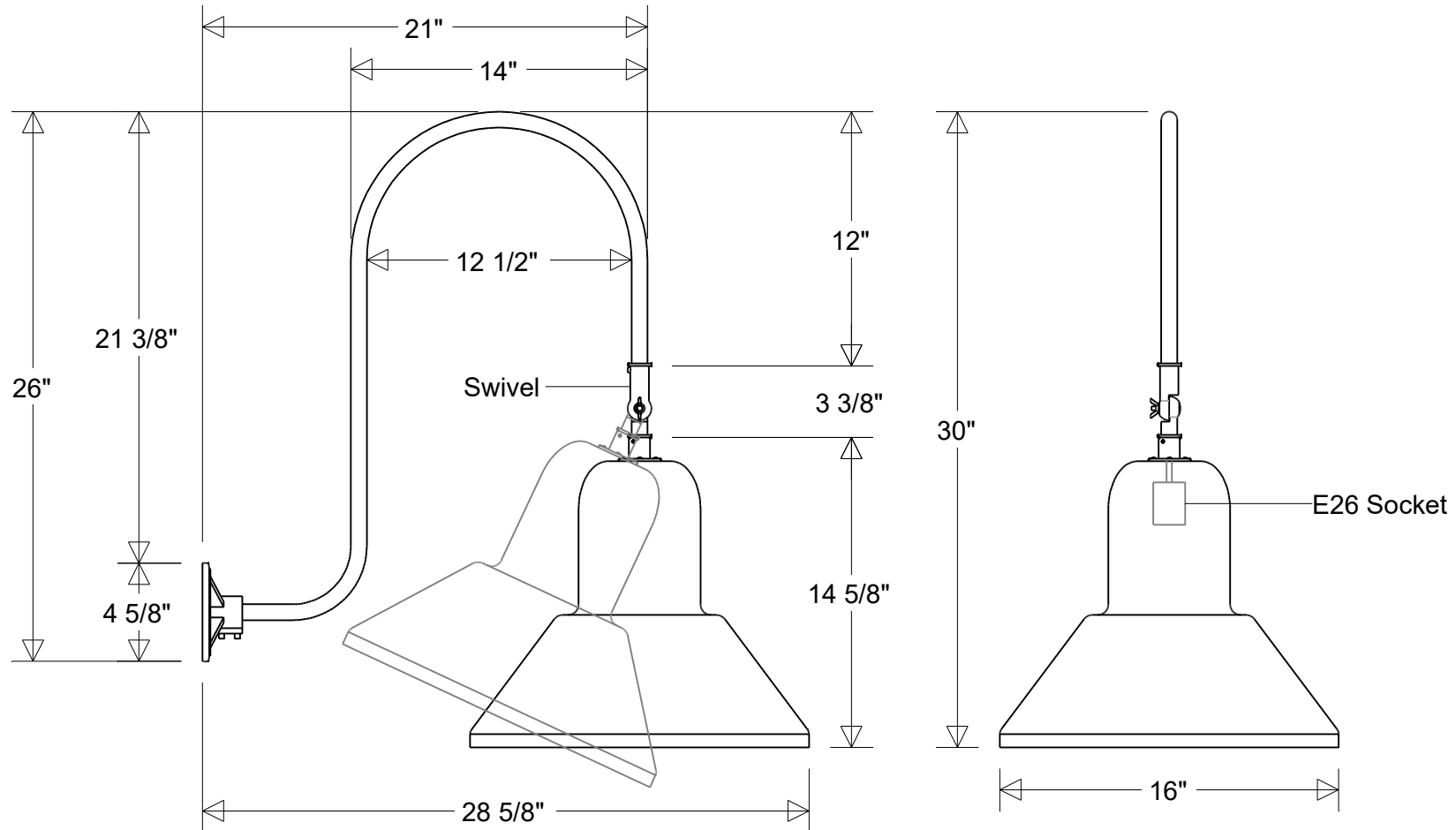


Primelite Manufacturing Corp.

407 S Main St, Freeport, NY 11520
 Phone: (516) 868-4411 | Fax: (516) 868-4609
 sales@primelite-mfg.com | www.primelite-mfg.com

PROUDLY MADE IN THE USA SINCE 1962!
"SPECIALTIES ARE OUR SPECIALTY!"

Job Info



#37/16-874 ESW

16" Dia | 28 5/8" Ext | 30" H
 Shade: #37/16A | Arm: #874 ESW

Lamp: E26 Socket Max Wattage: 200 W Number of Sockets: 1 120 V	Finish: 29 Oven Baked Powder Coated Paints	Drawn: CB 04/2026	Scale: 1/8	Approvals
	Material: Aluminum	Note: All dimensions are nominal. Actual dimensions may vary.		