

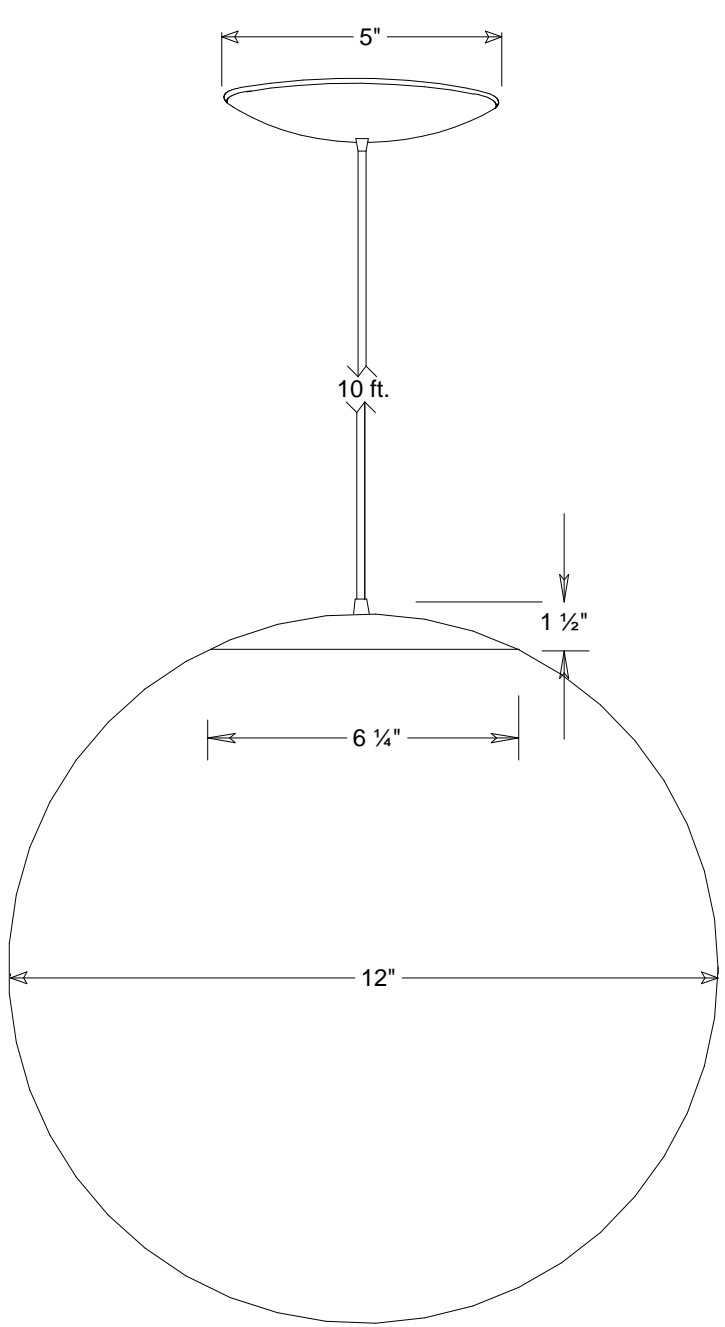


Primelite Manufacturing Corp

407 S Main St, Freeport, NY 11520

Phone: 516-868-4411 | Fax: 516-868-4609
 sales@primelite-mfg.com | www.primelite-mfg.com

| | | | |
|------------------------------|-----------------------------------|------------------------|---|
| PART # #282 | LAMP Incandescent Led | VOLTAGE 120V | COLOR Powder Coated Colors |
| JOB NAME | | | TYPE Globe Pendant Acrylic Neckless |



Lamp: Incandescent | LED



Construction: Aluminum, Acrylic

Unless Otherwise Specified:
Dimensions in Inches

| Name | Date | Globe Pendant #282 | | |
|---|----------|---|-------------|---------------|
| Drawn iv | 10/09/18 | 12" Dia Acrylic Globe Neckless 10' Vinyl Cord Smoke #282/1 White #282/3 Clear #282/4 | | |
| Checked | | Size | Drawing No. | Rev |
| ENG Appr. | | A | 0001 | A |
| MFR Appr. | | Scale | CAD File | Sheet |
| QA | | | | 1 of 1 |
| Colors Smoke #/1 White #/3 Clear #/4 | | | | |

| Revisions | | | | |
|-----------|-----|-------------|------|----------|
| Zone | Rev | Description | Date | Approved |
| | | | | |
| | | | | |
| | | | | |
| | | | | |