

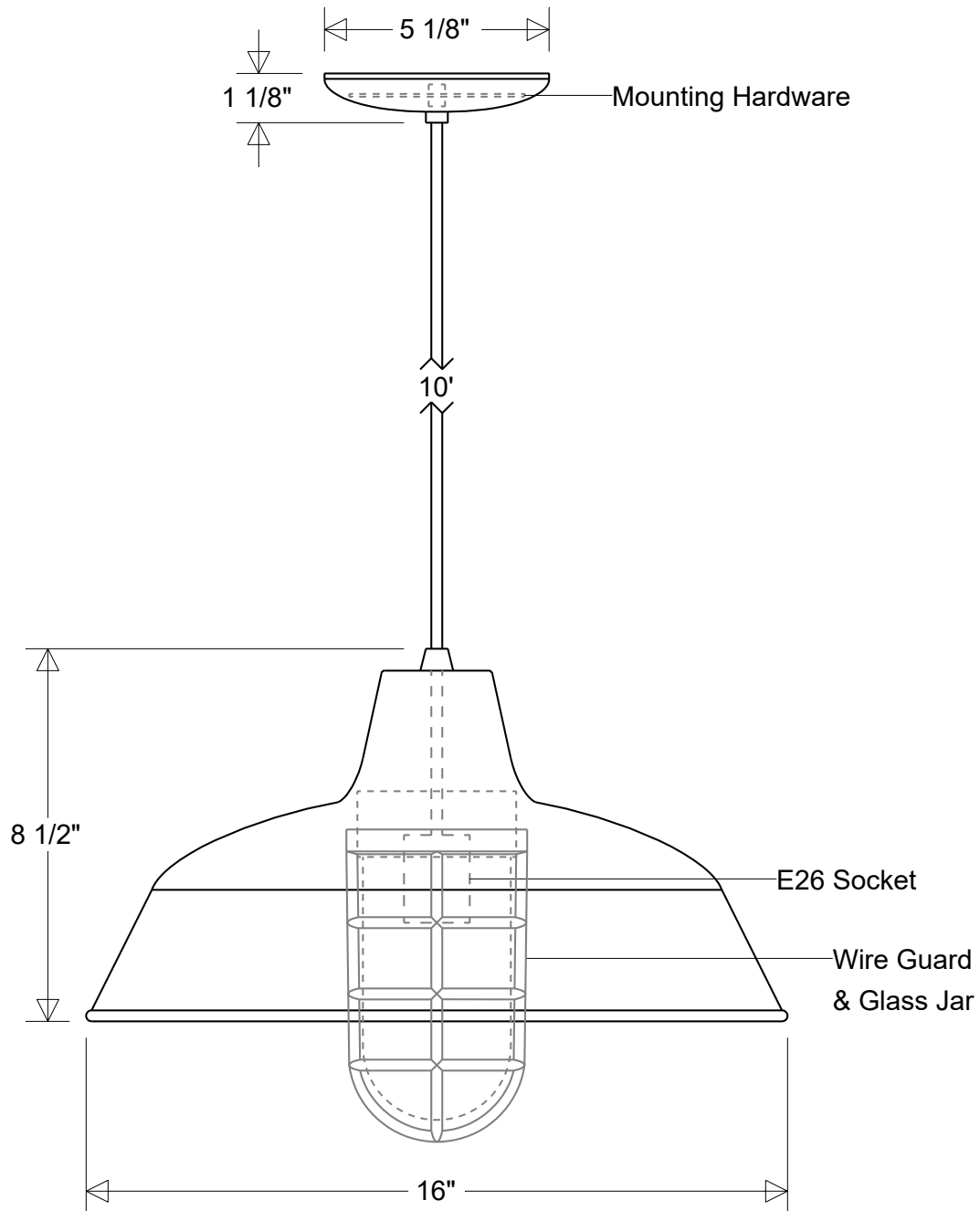


Primelite Manufacturing Corp

407 S Main St, Freeport, NY 11520

Phone: 516-868-4411 | Fax: 516-868-4609
 sales@primelite-mfg.com | www.primelite-mfg.com

PART # #23/16 WGGH1	LAMP E26 Socket	VOLTAGE 120 V	COLOR Powder Coated Paint
JOB NAME			TYPE Pendant



Lamp: E26 Socket Max Wattage: 100 W 	Initials	Date	#23/16 WGGH1									
	Drawn	CB						04/2024				
Construction: Aluminum Glass	Checked		16" Dia 8 1/2" H 10' Vinyl Cord: Black or White Glass Jar: Clear (-4) Prismatic (-4P) Frost (-5)					Revisions				
	ENG Appr.								Zone	Rev	Description	Date
	MFR Appr.			Size	Drawing No.	Rev						
Unless Otherwise Specified: Dimensions in Inches	Weight:		A	0001	A							
			Scale	CAD File	Sheet					1 of 1		