

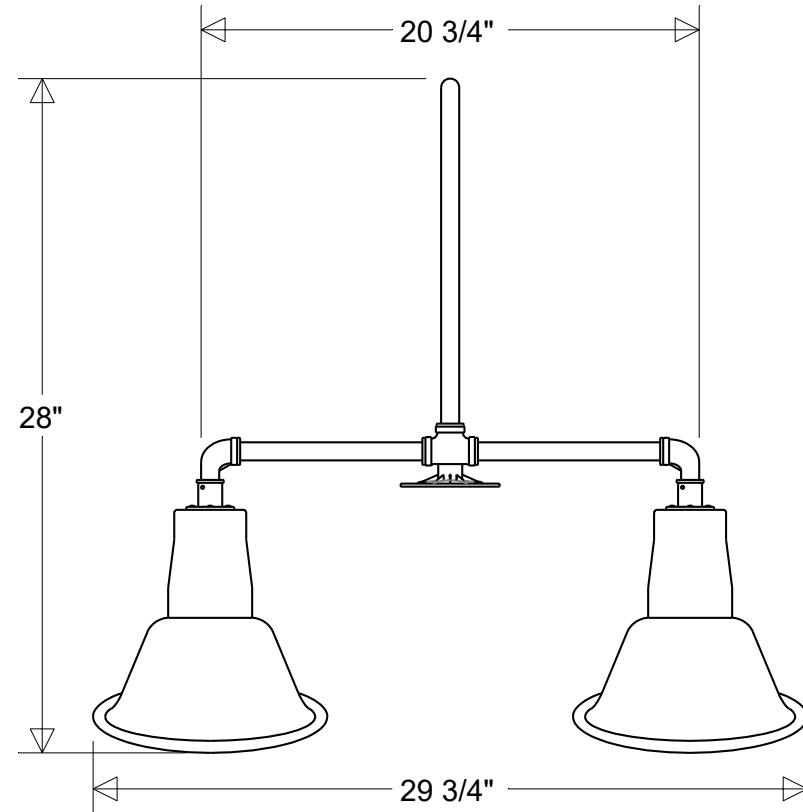
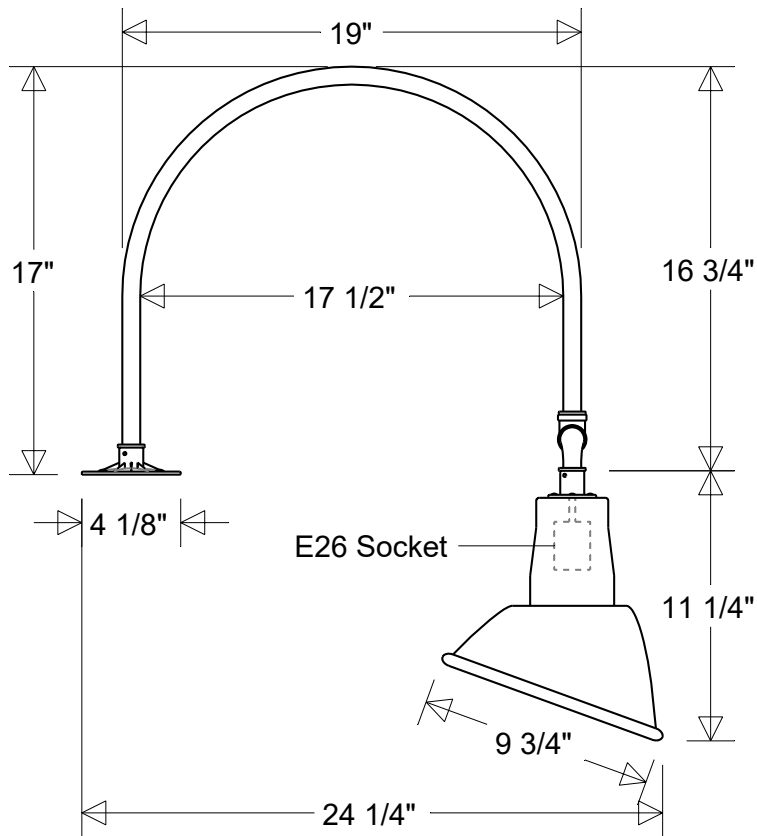


Primelite Manufacturing Corp.

407 S Main St, Freeport, NY 11520
 Phone: (516) 868-4411 | Fax: (516) 868-4609
 sales@primelite-mfg.com | www.primelite-mfg.com

PROUDLY MADE IN THE USA SINCE 1962!
"SPECIALTIES ARE OUR SPECIALTY!"

Job Info



#20/867

9 3/4" Dia | 24 1/4" Ext | 28" H | 29 3/4" W
 Shade: #20A | Arm: #867

Lamp: E26 Socket Max Wattage: 200 W Number of Sockets: 2	Finish: 29 Oven Baked Powder Coated Paints	Drawn: CB 07/2024	Scale: 1/8	Approvals	
Voltage: 120 V	Material: Aluminum	Note: All dimensions are nominal. Actual dimensions may vary.			