

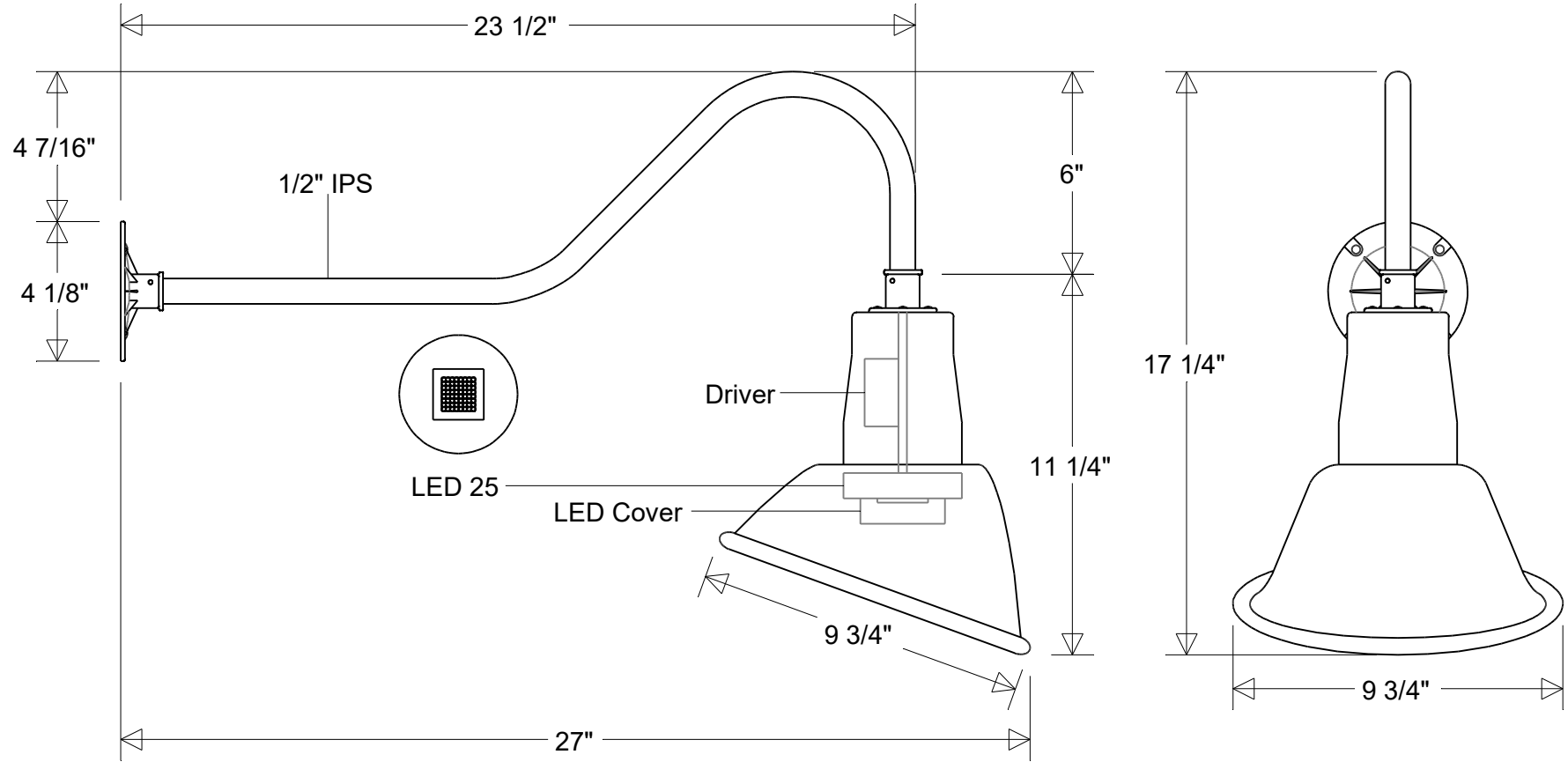


# Primelite Manufacturing Corp.

407 S Main St, Freeport, NY 11520  
 Phone: (516) 868-4411 | Fax: (516) 868-4609  
 sales@primelite-mfg.com | www.primelite-mfg.com

**PROUDLY MADE IN THE USA SINCE 1962!**  
**"SPECIALTIES ARE OUR SPECIALTY!"**

Job Info



<h2>#20/850 LED 25 Dimm</h2> <p>9 3/4" Dia   27" Ext   17 1/4" H</p> <p>Shade: #20A LED 25 Dimm   Arm: #850</p>	<b>Lamp:</b> 25 W LED CCT: 3K or 4K   Others 50W MH Equivalent	<b>Finish:</b> 29 Oven Baked Powder Coated Paints	<b>Drawn:</b> CB 04/2026	<b>Scale:</b> 1/5	<b>Approvals</b>
	80 CRI 120-277 V 0-10 V Dimming	<b>Material:</b> Aluminum	<b>Note:</b> All dimensions are nominal. Actual dimensions may vary.		