

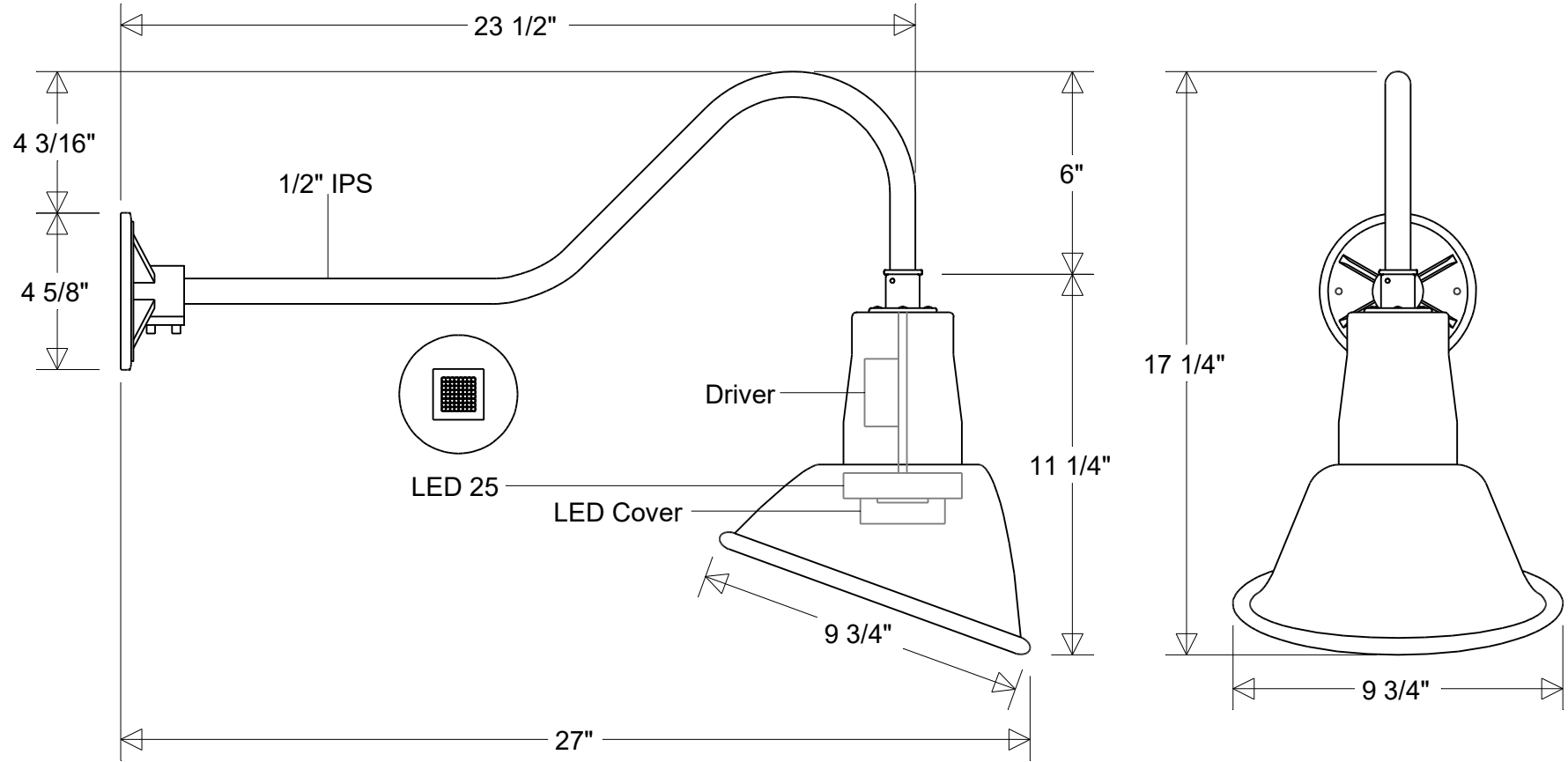


Primelite Manufacturing Corp.

407 S Main St, Freeport, NY 11520
 Phone: (516) 868-4411 | Fax: (516) 868-4609
 sales@primelite-mfg.com | www.primelite-mfg.com

PROUDLY MADE IN THE USA SINCE 1962!
"SPECIALTIES ARE OUR SPECIALTY!"

Job Info



<h2>#20/850 HDC LED 25 NonDimm</h2> <p>9 3/4" Dia 27" Ext 17 1/4" H</p> <p>Shade: #20A LED 25 NonDimm Arm: #850 HDC</p>	Lamp: 25 W LED CCT: 3K or 4K Others 50W MH Equivalent	Finish: 29 Oven Baked Powder Coated Paints	Drawn: CB 04/2026	Scale: 1/5	Approvals
	Material: Aluminum	Note: All dimensions are nominal. Actual dimensions may vary.			