

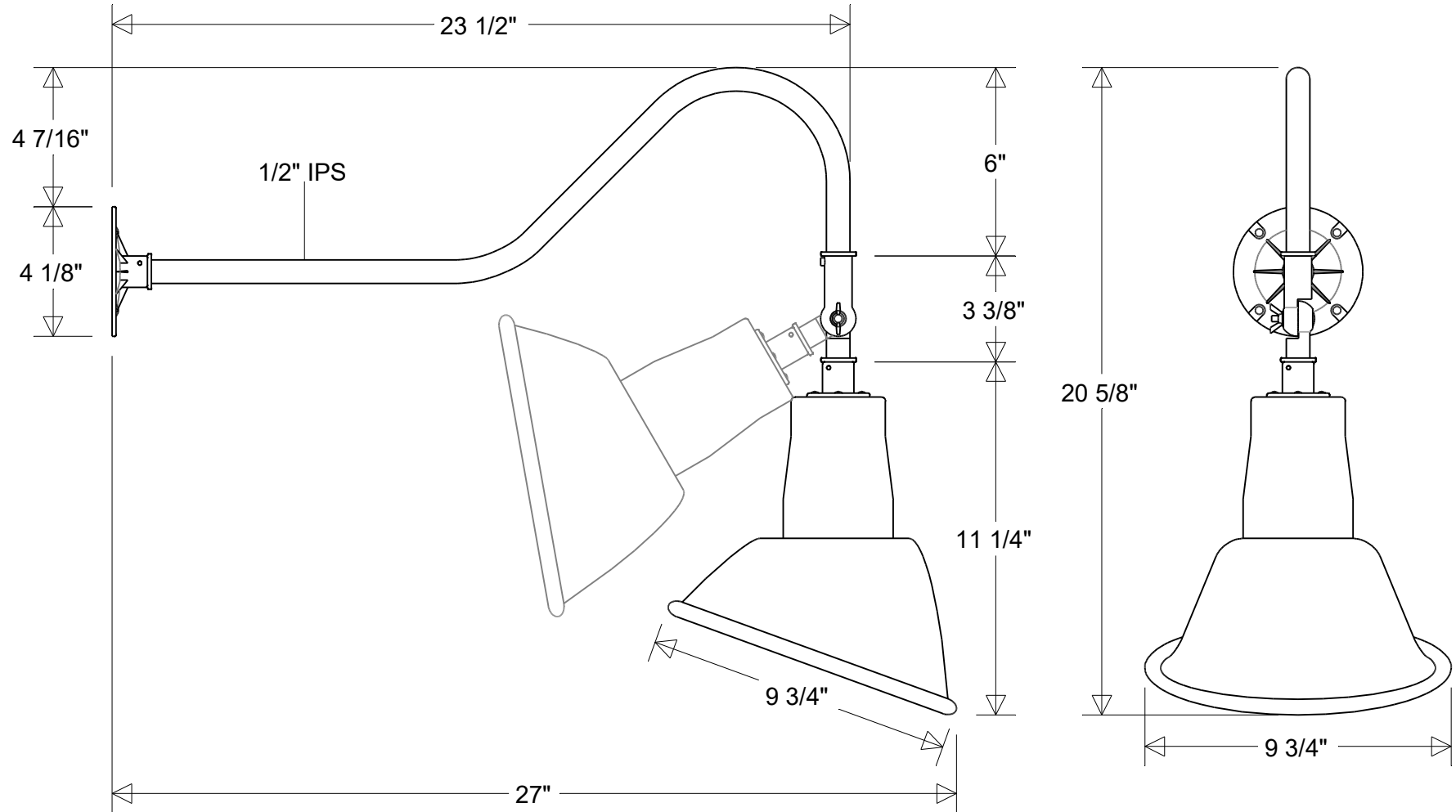


Primelite Manufacturing Corp.

407 S Main St, Freeport, NY 11520
 Phone: (516) 868-4411 | Fax: (516) 868-4609
 sales@primelite-mfg.com | www.primelite-mfg.com

PROUDLY MADE IN THE USA SINCE 1962!
"SPECIALTIES ARE OUR SPECIALTY!"

Job Info



#20/850 ESW Series

9 3/4" Dia | 27" Ext | 20 5/8" H
 Shade: #20A | Arm: #850 ESW

Lamp Options:

E26 Socket
 LED12 | LED22
 LED10: Dimm | NonDimm
 LED25: Dimm | NonDimm
 Others Available

Finish:

29 Oven Baked
 Powder Coated Paints

Material:

Aluminum

Drawn:

CB
 04/2026

Note:

All dimensions are nominal.
 Actual dimensions may vary.

Scale:

1/5

Approvals

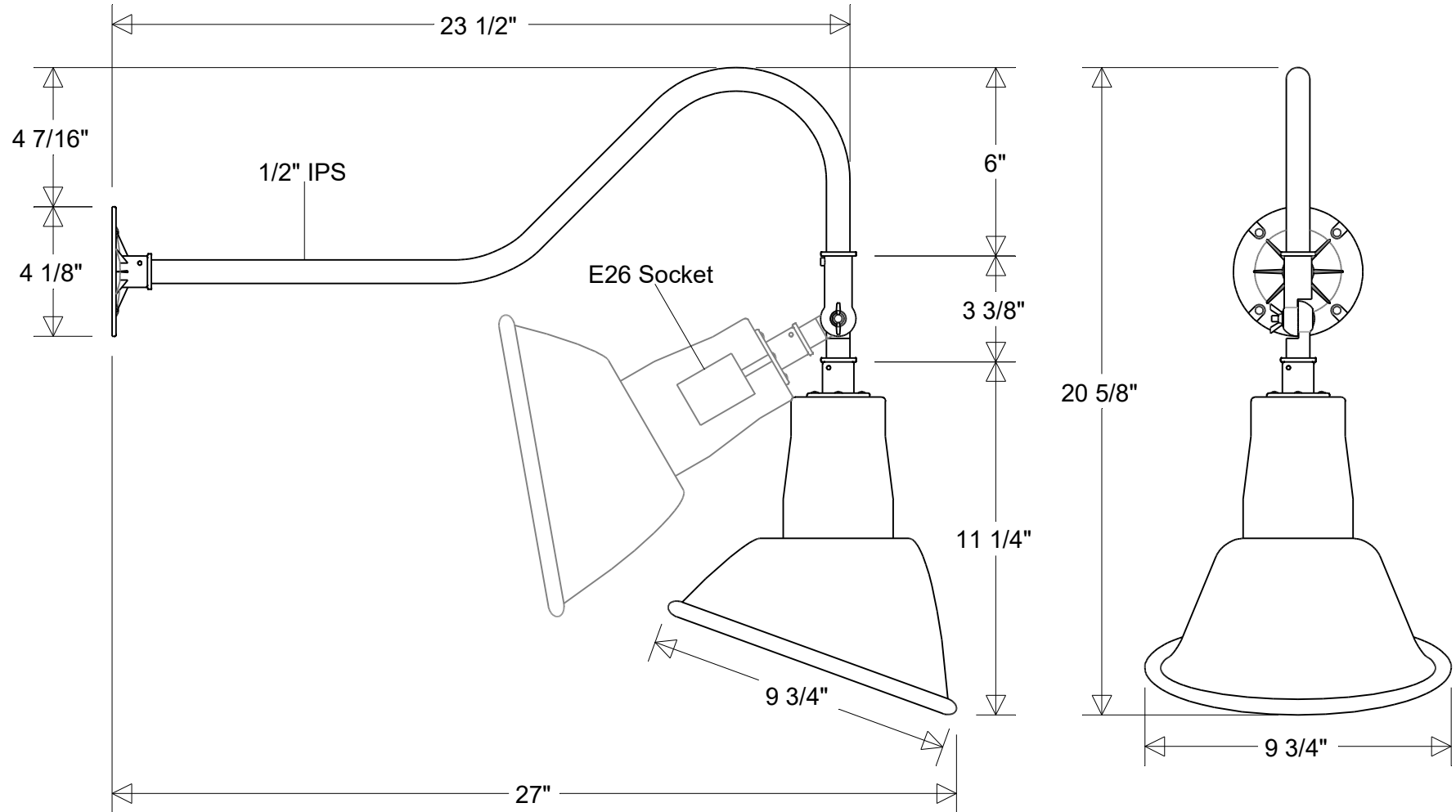


Primelite Manufacturing Corp.

407 S Main St, Freeport, NY 11520
 Phone: (516) 868-4411 | Fax: (516) 868-4609
 sales@primelite-mfg.com | www.primelite-mfg.com

PROUDLY MADE IN THE USA SINCE 1962!
"SPECIALTIES ARE OUR SPECIALTY!"

Job Info



#20/850 ESW

9 3/4" Dia | 27" Ext | 20 5/8" H
 Shade: #20A | Arm: #850 ESW

Lamp: E26 Socket

Max Wattage: 200 W
 Number of Sockets: 1

120 V

Finish:

29 Oven Baked
 Powder Coated Paints

Material:
 Aluminum

Drawn:

CB
 04/2026

Note:

All dimensions are nominal.
 Actual dimensions may vary.

Scale:

1/5

Approvals

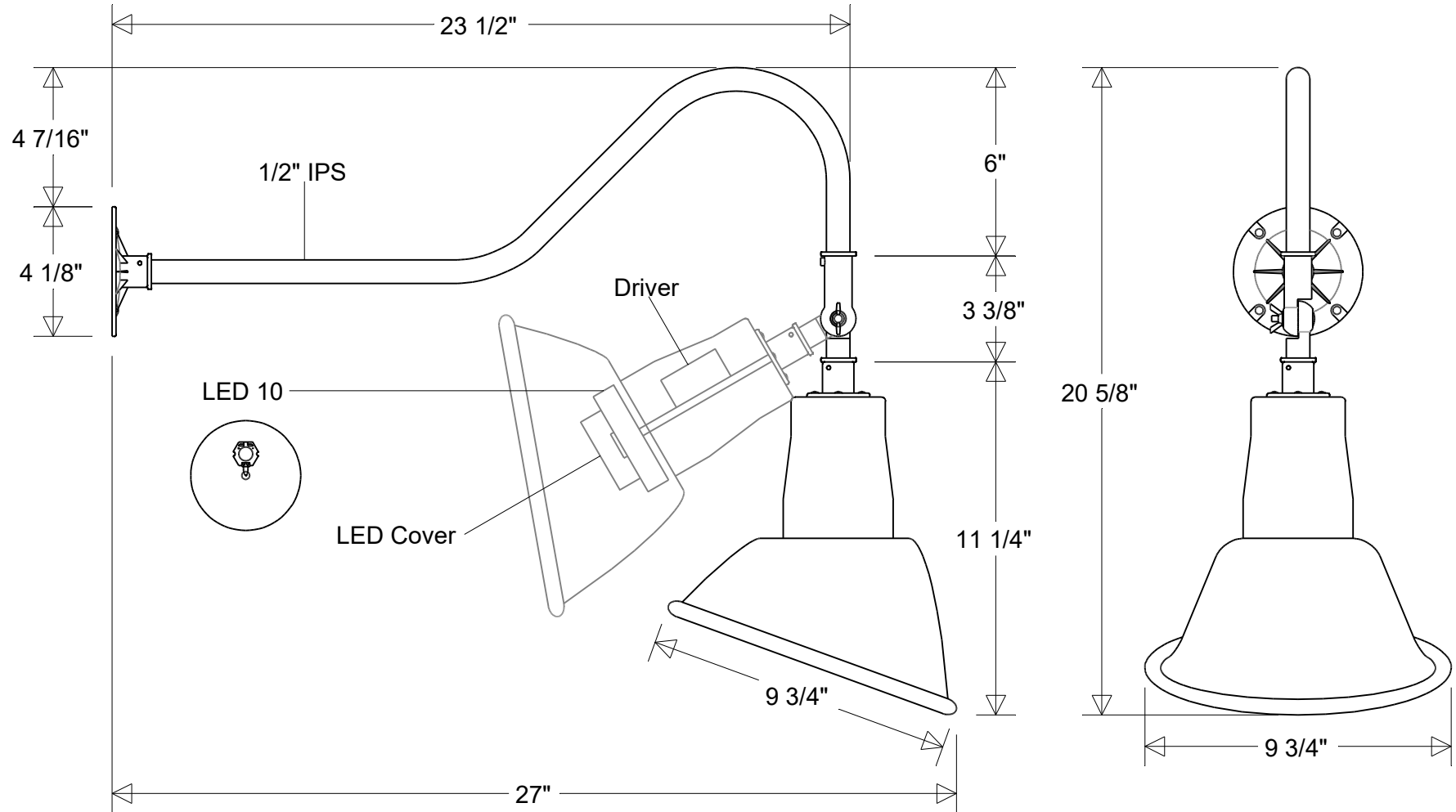


Primelite Manufacturing Corp.

407 S Main St, Freeport, NY 11520
 Phone: (516) 868-4411 | Fax: (516) 868-4609
 sales@primelite-mfg.com | www.primelite-mfg.com

PROUDLY MADE IN THE USA SINCE 1962!
"SPECIALTIES ARE OUR SPECIALTY!"

Job Info



#20/850 ESW LED 10 Dimm

9 3/4" Dia | 27" Ext | 20 5/8" H

Shade: #20A LED 10 Dimm | Arm: #850 ESW

Lamp: 10 W LED
 CCT: 3K or 4K | Others
 100W Inc Equivalent
 80 CRI
 120-277 V
 0-10 V Dimming

Finish:
 29 Oven Baked
 Powder Coated Paints
Material:
 Aluminum

Drawn:
 CB
 04/2026

Scale:
 1/5
Note:
 All dimensions are nominal.
 Actual dimensions may vary.

Approvals	

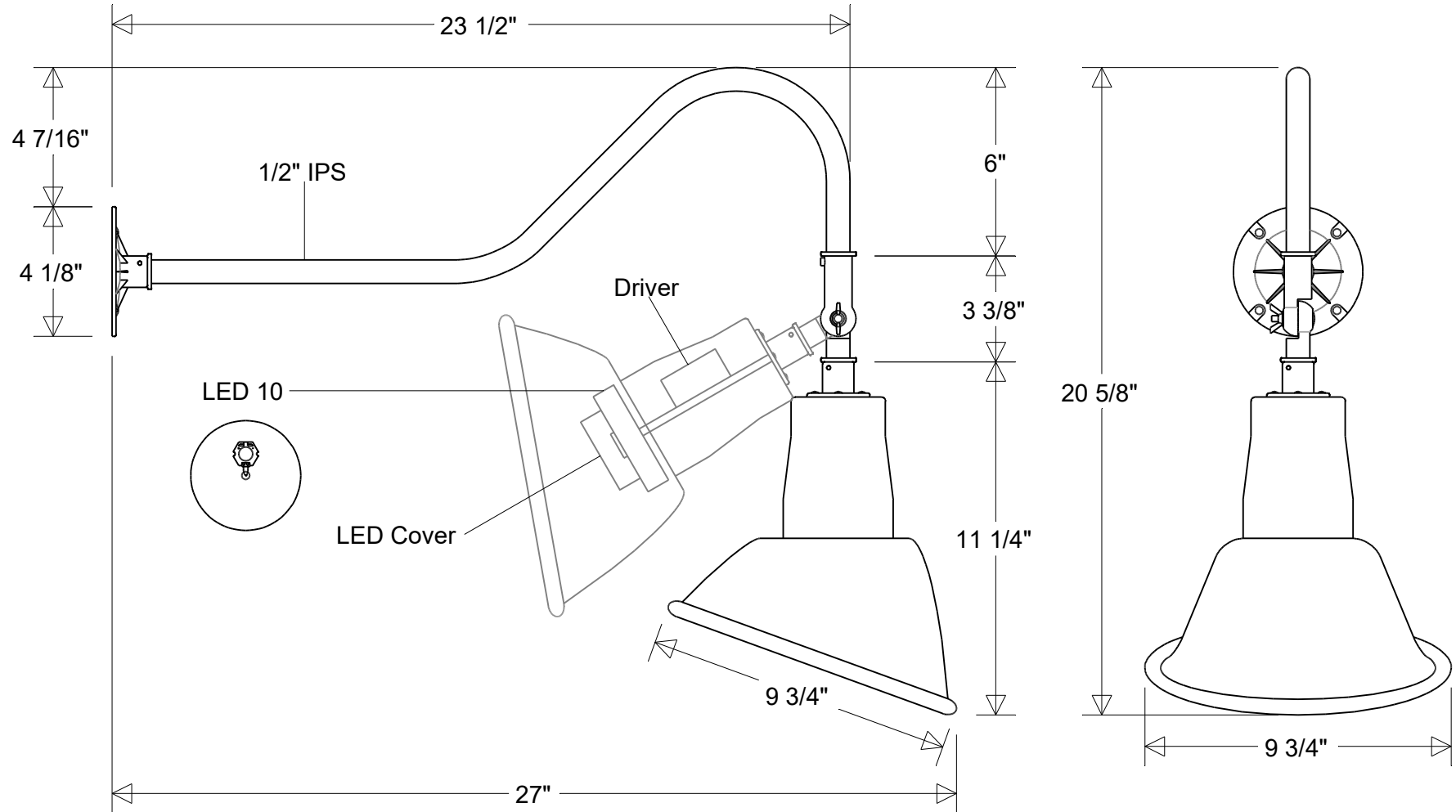


Primelite Manufacturing Corp.

407 S Main St, Freeport, NY 11520
 Phone: (516) 868-4411 | Fax: (516) 868-4609
 sales@primelite-mfg.com | www.primelite-mfg.com

PROUDLY MADE IN THE USA SINCE 1962!
"SPECIALTIES ARE OUR SPECIALTY!"

Job Info



#20/850 ESW LED 10 NonDimm

9 3/4" Dia | 27" Ext | 20 5/8" H

Shade: #20A LED 10 NonDimm | Arm: #850 ESW

Lamp: 10 W LED
 CCT: 3K or 4K | Others
 100W Inc Equivalent

80 CRI
 120-277 V
 Non-Dimming

Finish:
 29 Oven Baked
 Powder Coated Paints

Material:
 Aluminum

Drawn:
 CB
 04/2026

Scale:
 1/5

Note:
 All dimensions are nominal.
 Actual dimensions may vary.

Approvals

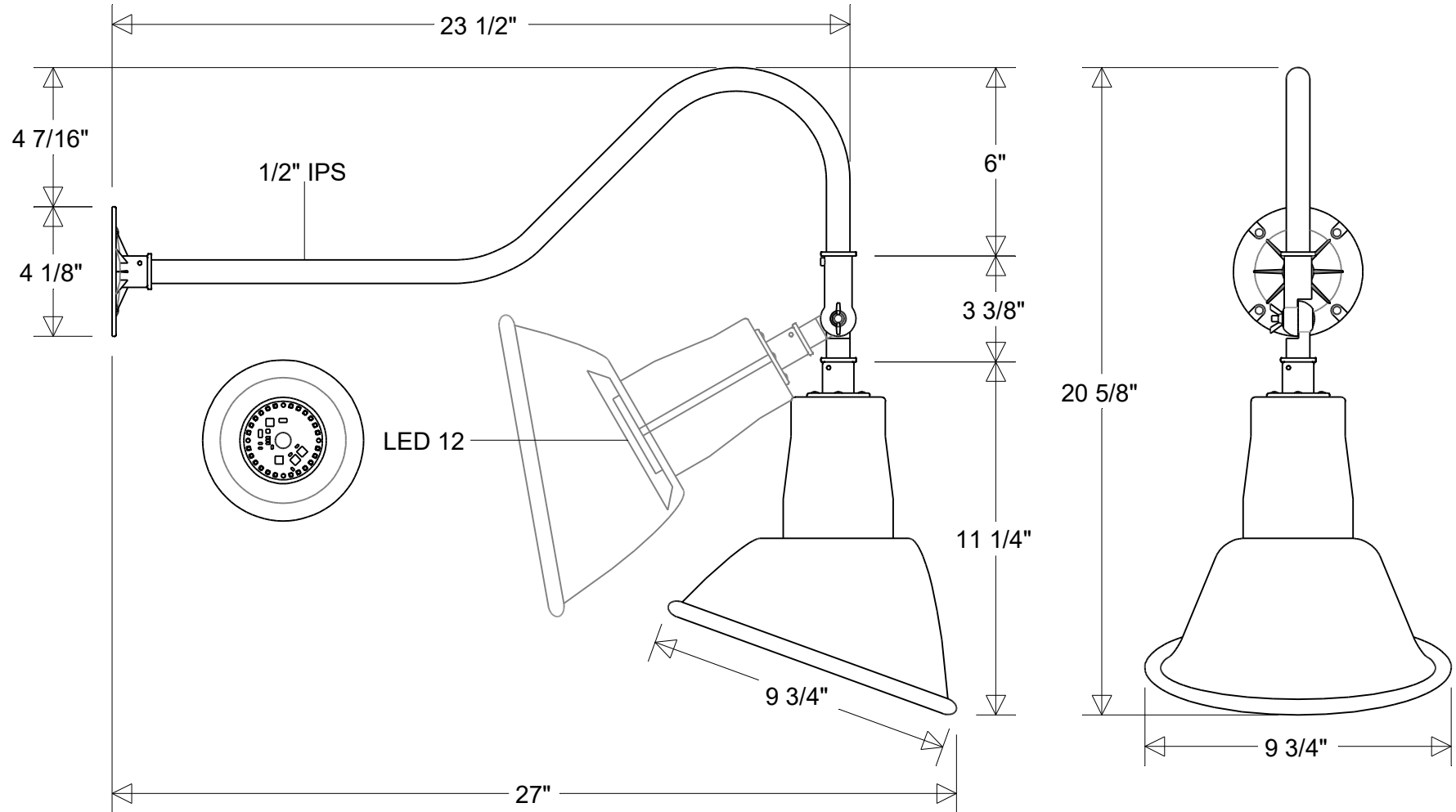


Primelite Manufacturing Corp.

407 S Main St, Freeport, NY 11520
 Phone: (516) 868-4411 | Fax: (516) 868-4609
 sales@primelite-mfg.com | www.primelite-mfg.com

PROUDLY MADE IN THE USA SINCE 1962!
"SPECIALTIES ARE OUR SPECIALTY!"

Job Info



#20/850 ESW LED 12

9 3/4" Dia | 27" Ext | 20 5/8" H
 Shade: #20A LED 12 | Arm: #850 ESW

Lamp: 12 W LED
 CCT: 3K or 4K
 75W Inc Equivalent
 80 CRI
 120V
 Electronic Dimming

Finish:
 29 Oven Baked
 Powder Coated Paints
Material:
 Aluminum

Drawn:
 CB
 04/2026
Scale:
 1/5
Note:
 All dimensions are nominal.
 Actual dimensions may vary.

Approvals

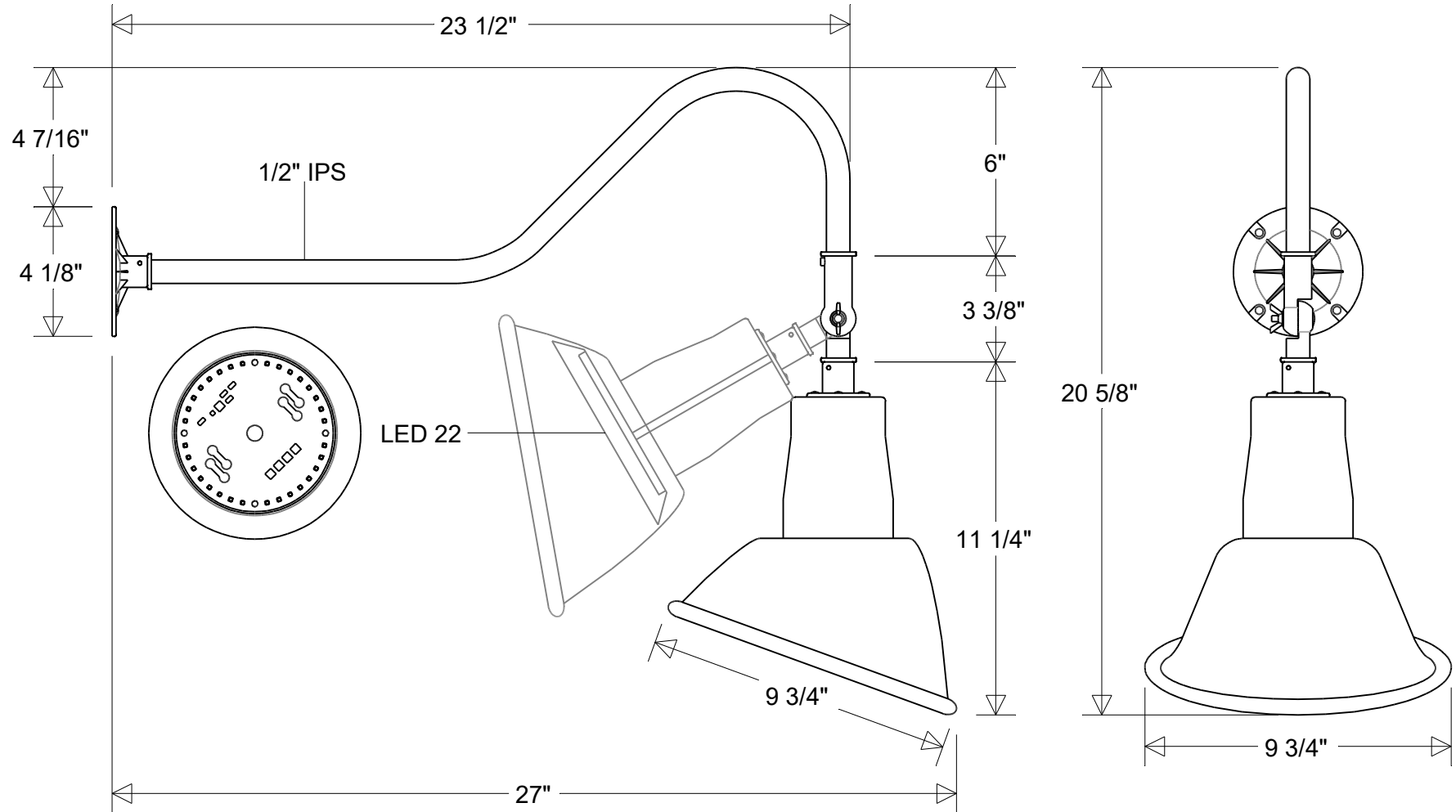


Primelite Manufacturing Corp.

407 S Main St, Freeport, NY 11520
 Phone: (516) 868-4411 | Fax: (516) 868-4609
 sales@primelite-mfg.com | www.primelite-mfg.com

PROUDLY MADE IN THE USA SINCE 1962!
"SPECIALTIES ARE OUR SPECIALTY!"

Job Info



#20/850 ESW LED 22

9 3/4" Dia | 27" Ext | 20 5/8" H
 Shade: #20A LED 22 | Arm: #850 ESW

Lamp: 22 W LED
 CCT: 3K or 4K
 125W Inc Equivalent
 80 CRI
 120V
 Electronic Dimming

Finish:
 29 Oven Baked
 Powder Coated Paints
Material:
 Aluminum

Drawn:
 CB
 04/2026
Scale:
 1/5
Note:
 All dimensions are nominal.
 Actual dimensions may vary.

Approvals

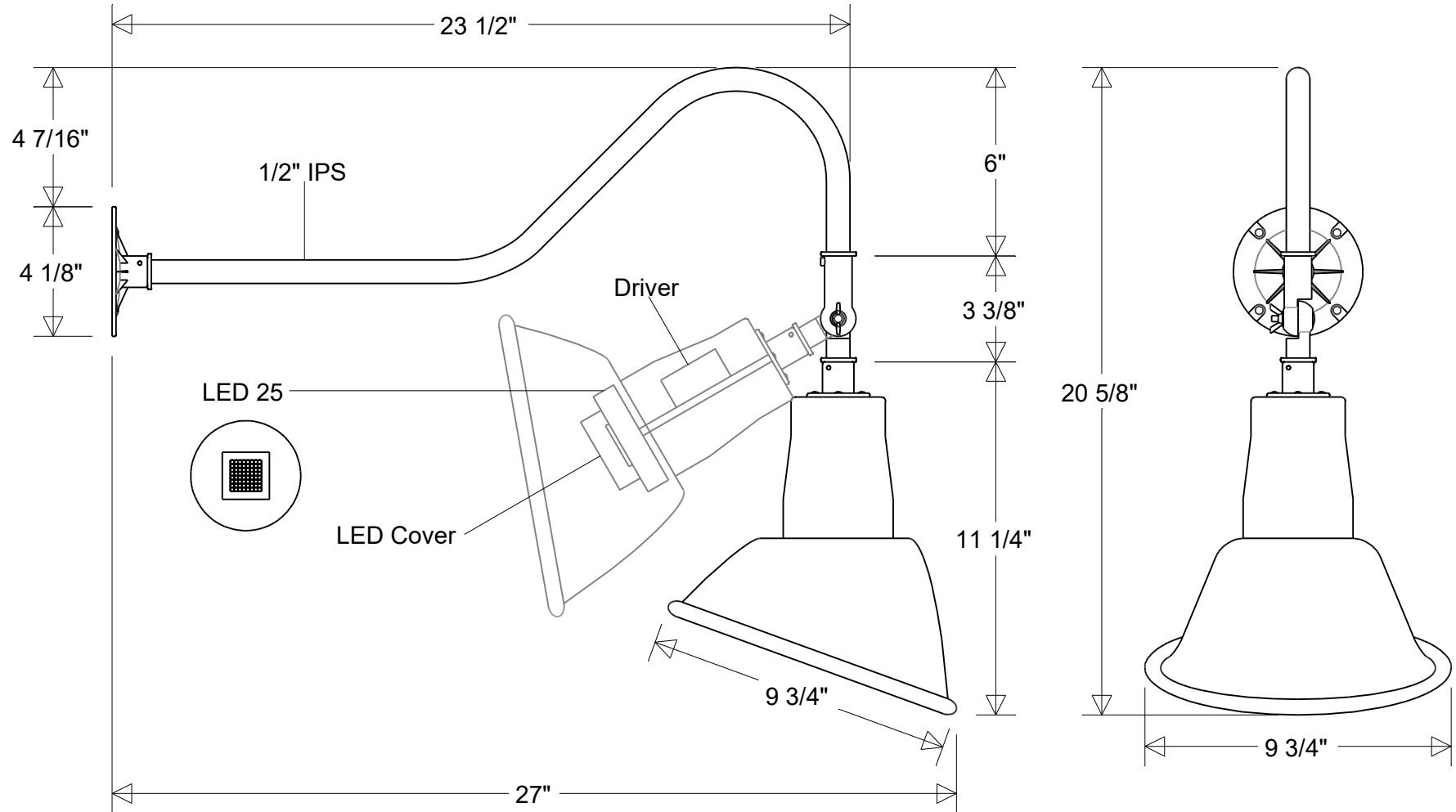


Primelite Manufacturing Corp.

407 S Main St, Freeport, NY 11520
 Phone: (516) 868-4411 | Fax: (516) 868-4609
 sales@primelite-mfg.com | www.primelite-mfg.com

PROUDLY MADE IN THE USA SINCE 1962!
"SPECIALTIES ARE OUR SPECIALTY!"

Job Info



#20/850 ESW LED 25 Dimm

9 3/4" Dia | 27" Ext | 20 5/8" H

Shade: #20A LED 25 Dimm | Arm: #850 ESW

Lamp: 25 W LED
 CCT: 3K or 4K | Others
 50W MH Equivalent
 80 CRI
 120-277 V
 0-10 V Dimming

Finish:
 29 Oven Baked
 Powder Coated Paints
Material:
 Aluminum

Drawn:
 CB
 04/2026

Scale:
 1/5
Note:
 All dimensions are nominal.
 Actual dimensions may vary.

Approvals

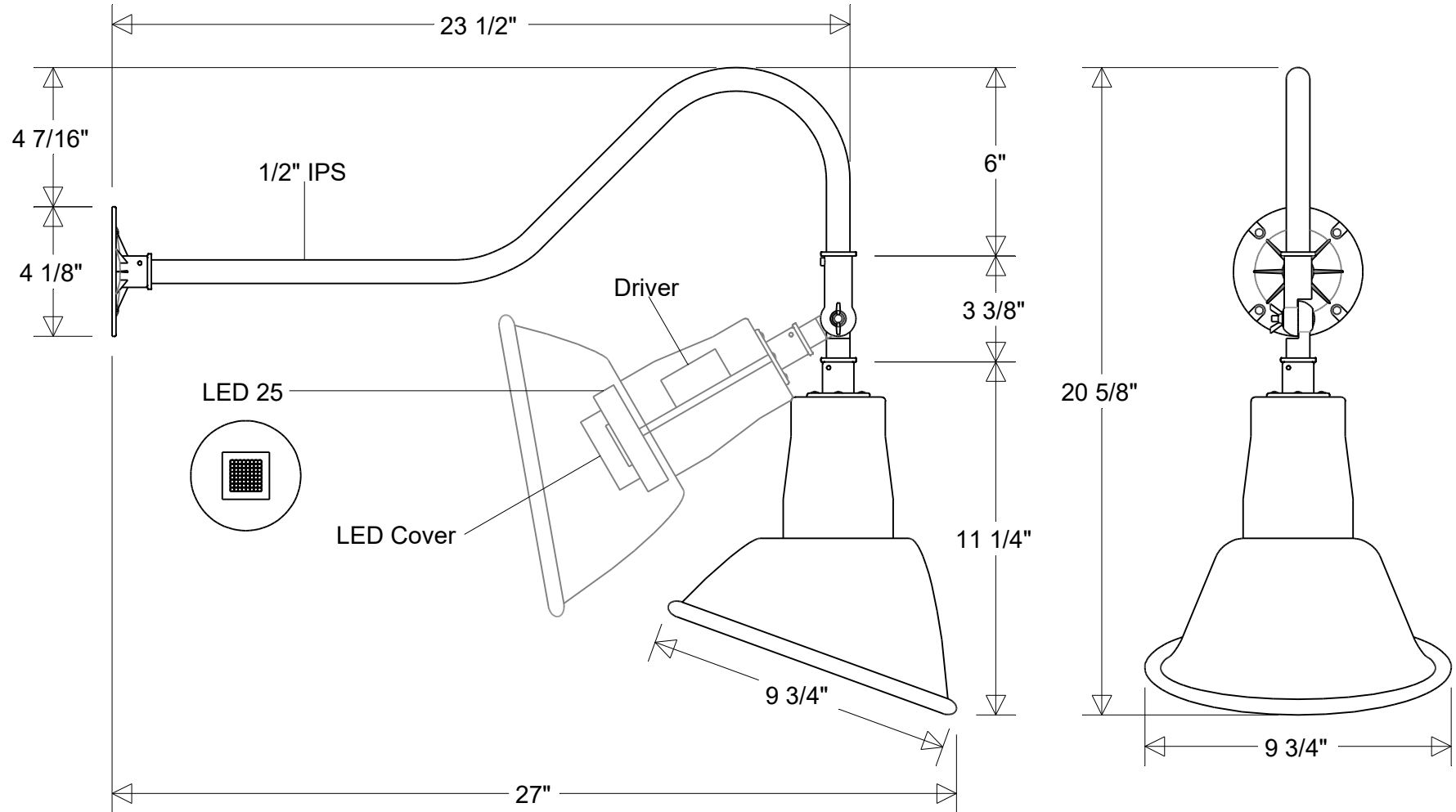


Primelite Manufacturing Corp.

407 S Main St, Freeport, NY 11520
 Phone: (516) 868-4411 | Fax: (516) 868-4609
 sales@primelite-mfg.com | www.primelite-mfg.com

PROUDLY MADE IN THE USA SINCE 1962!
"SPECIALTIES ARE OUR SPECIALTY!"

Job Info



#20/850 ESW LED 25 NonDimm

9 3/4" Dia | 27" Ext | 20 5/8" H

Shade: #20A LED 25 NonDimm | Arm: #850 ESW

Lamp: 25 W LED
 CCT: 3K or 4K | Others
 50W MH Equivalent
 80 CRI
 120-277 V
 Non-Dimming

Finish:
 29 Oven Baked
 Powder Coated Paints
Material:
 Aluminum

Drawn:
 CB
 04/2026
Scale:
 1/5
Note:
 All dimensions are nominal.
 Actual dimensions may vary.

Approvals	