

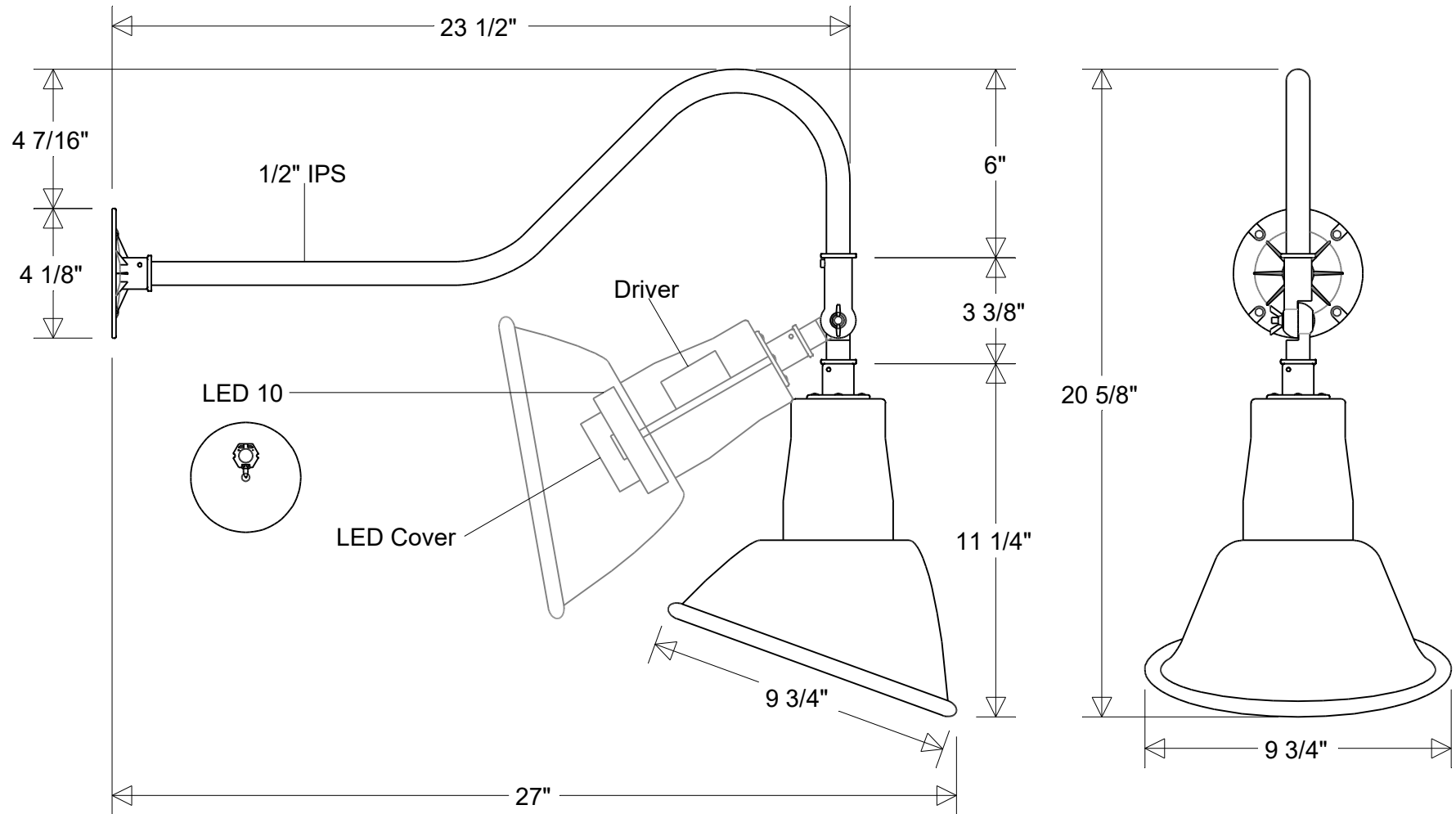


# Primelite Manufacturing Corp.

407 S Main St, Freeport, NY 11520  
 Phone: (516) 868-4411 | Fax: (516) 868-4609  
 sales@primelite-mfg.com | www.primelite-mfg.com

**PROUDLY MADE IN THE USA SINCE 1962!**  
**"SPECIALTIES ARE OUR SPECIALTY!"**

Job Info



## #20/850 ESW LED 10 Dimm

9 3/4" Dia | 27" Ext | 20 5/8" H

Shade: #20A LED 10 Dimm | Arm: #850 ESW

**Lamp:** 10 W LED  
 CCT: 3K or 4K | Others  
 100W Inc Equivalent  
 80 CRI  
 120-277 V  
 0-10 V Dimming

**Finish:**  
 29 Oven Baked  
 Powder Coated Paints  
**Material:**  
 Aluminum

**Drawn:**  
 CB  
 04/2026

**Scale:**  
 1/5  
**Note:**  
 All dimensions are nominal.  
 Actual dimensions may vary.

Approvals	