

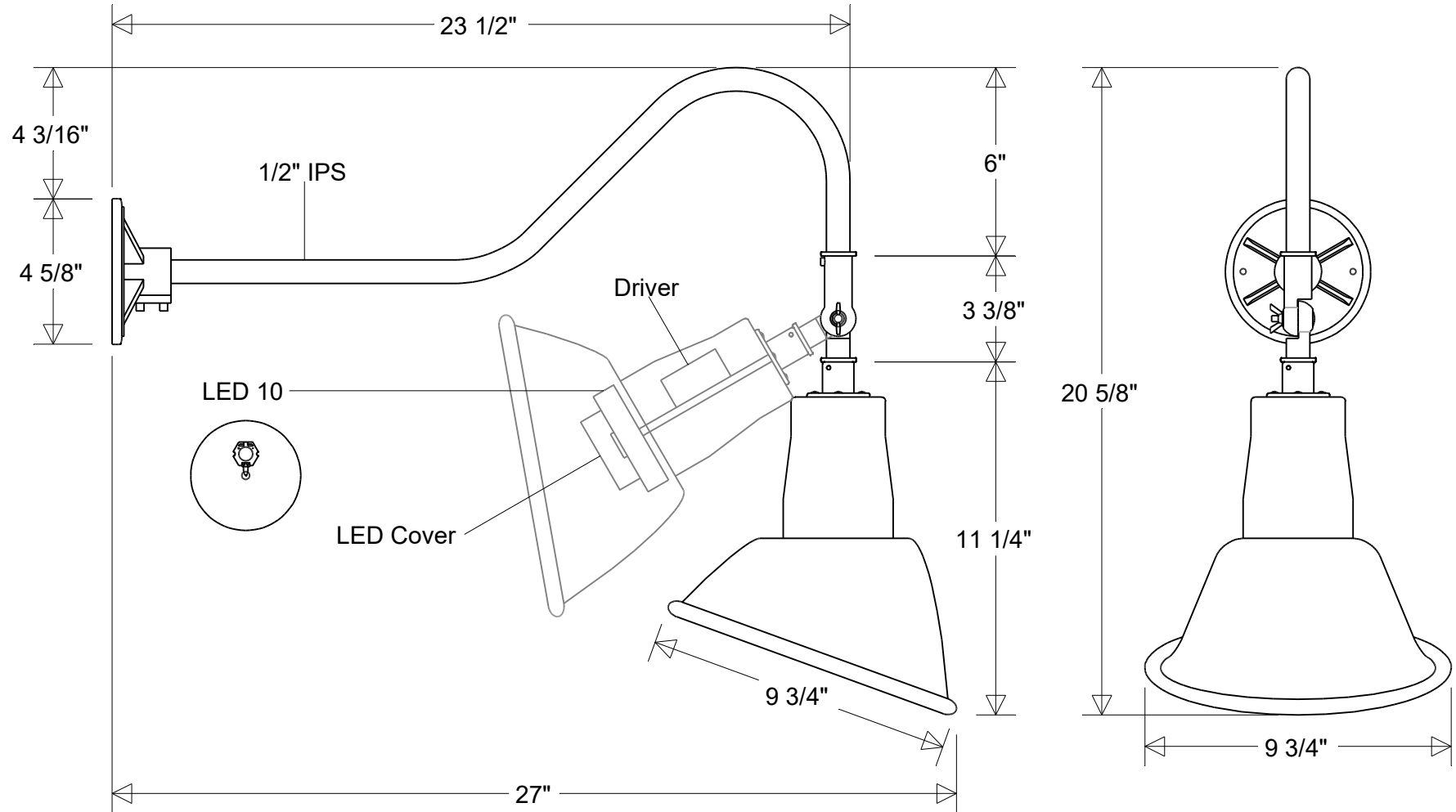


Primelite Manufacturing Corp.

407 S Main St, Freeport, NY 11520
 Phone: (516) 868-4411 | Fax: (516) 868-4609
 sales@primelite-mfg.com | www.primelite-mfg.com

PROUDLY MADE IN THE USA SINCE 1962!
"SPECIALTIES ARE OUR SPECIALTY!"

Job Info



#20/850 ESW HDC LED 10 Dimm

9 3/4" Dia | 27" Ext | 20 5/8" H

Shade: #20A LED 10 Dimm | Arm: #850 ESW HDC

Lamp: 10 W LED CCT: 3K or 4K Others 100W Inc Equivalent 80 CRI 120-277 V 0-10 V Dimming	Finish: 29 Oven Baked Powder Coated Paints	Drawn: CB 04/2026	Scale: 1/5	Approvals	
Note: All dimensions are nominal. Actual dimensions may vary.					