

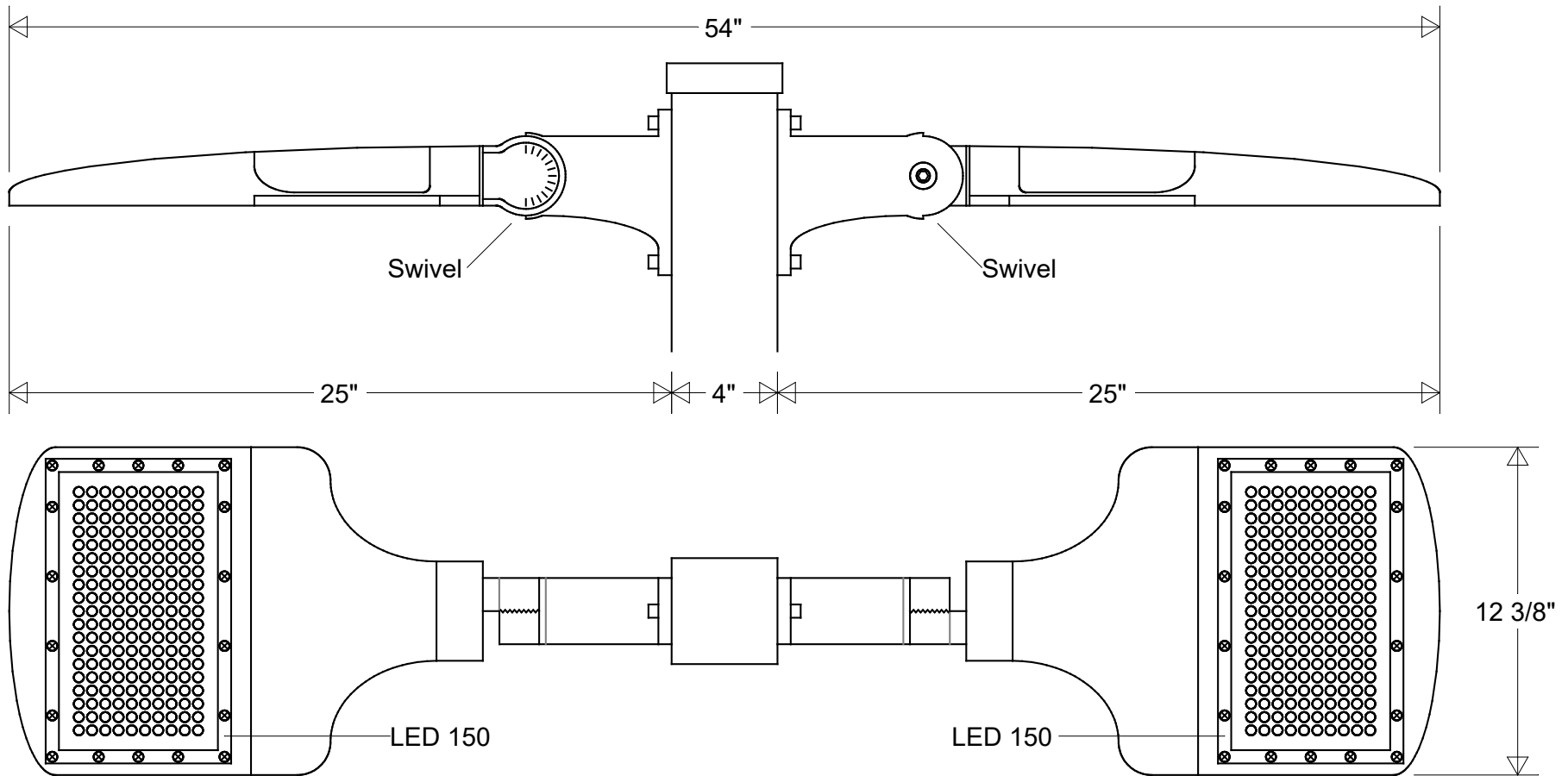


Primelite Manufacturing Corp

407 S Main St, Freeport, NY 11520

Phone: 516-868-4411 | Fax: 516-868-4609
 sales@primelite-mfg.com | www.primelite-mfg.com

PART # #1573 T2 LED 150	LAMP Built-In LED	VOLTAGE 120-277 V	COLOR Bronze White
JOB NAME			TYPE Shoebox



Lamp: LED 150 W 400 W MH Equivalent 5K = 21,000 Lumens	Initials	Date	Shoebox #1573 T2 LED 150			
	Drawn	CB				11/2022
	Checked			12 3/8" W 54" L Adjustable Angle 4" Square Pole: 7' 8' 10' 12' 14' 16' 18' 20'		
	ENG Appr.					
Construction: Aluminum	MFR Appr.		Size	Drawing No.	Rev	
	QA		A	0001	A	
Unless Otherwise Specified: Dimensions in Inches	Weight:		Scale	CAD File	Sheet	
					1 of 1	

Revisions				
Zone	Rev	Description	Date	Appr