

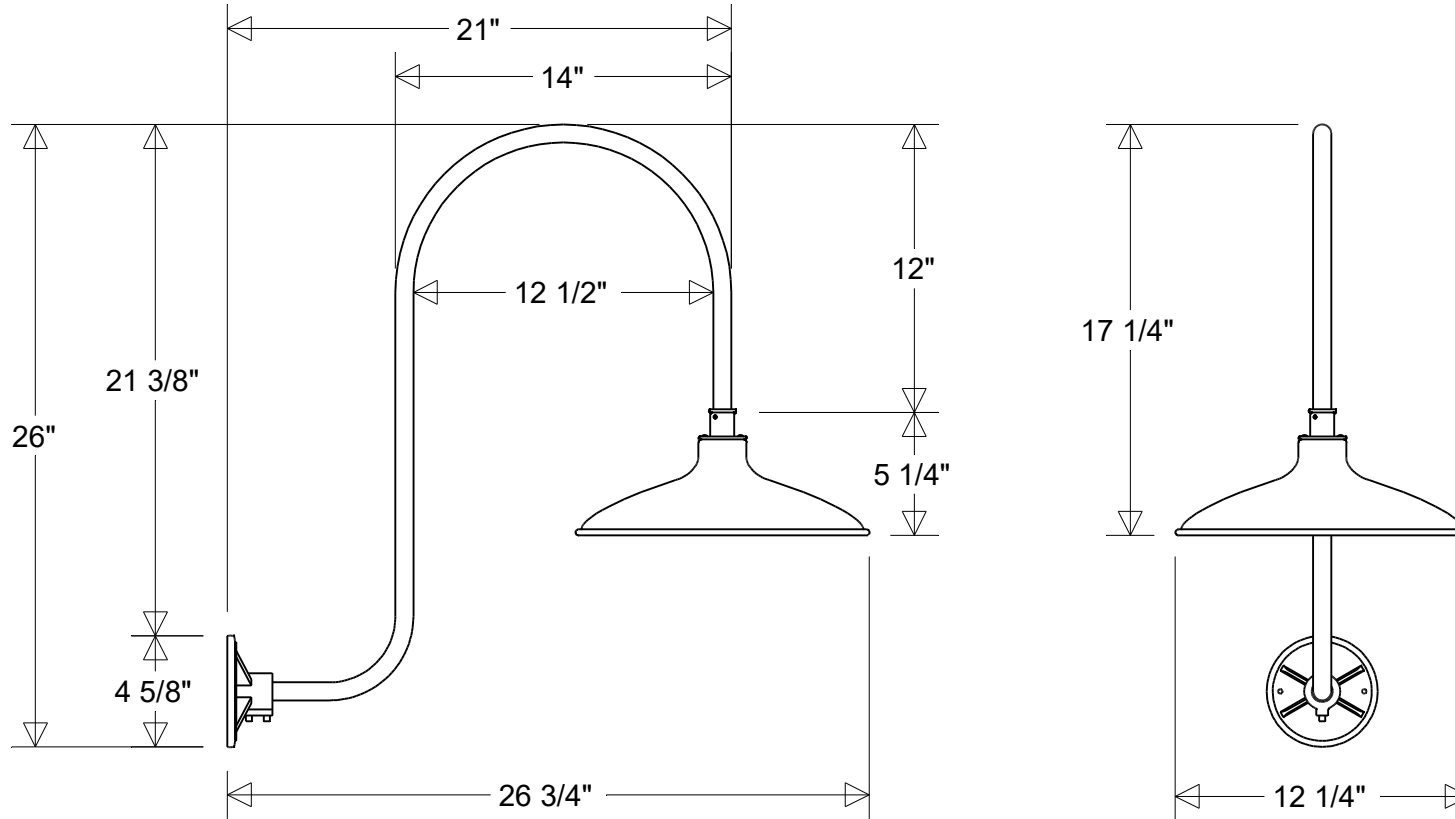


Primelite Manufacturing Corp.

407 S Main St, Freeport, NY 11520
 Phone: (516) 868-4411 | Fax: (516) 868-4609
 sales@primelite-mfg.com | www.primelite-mfg.com

PROUDLY MADE IN THE USA SINCE 1962!
"SPECIALTIES ARE OUR SPECIALTY!"

Job Info



#116/12-874 Series

12 1/4" Dia | 26 3/4" Ext | 26" H
 Shade: #116/12A | Arm: #874

Lamp Options:

E26 Socket
 LED12 | LED22
 Others Available

Finish:

29 Oven Baked
 Powder Coated Paints

Material:
 Aluminum

Drawn:

CB
 04/2026

Note:

All dimensions are nominal.
 Actual dimensions may vary.

Scale:

1/8

Approvals

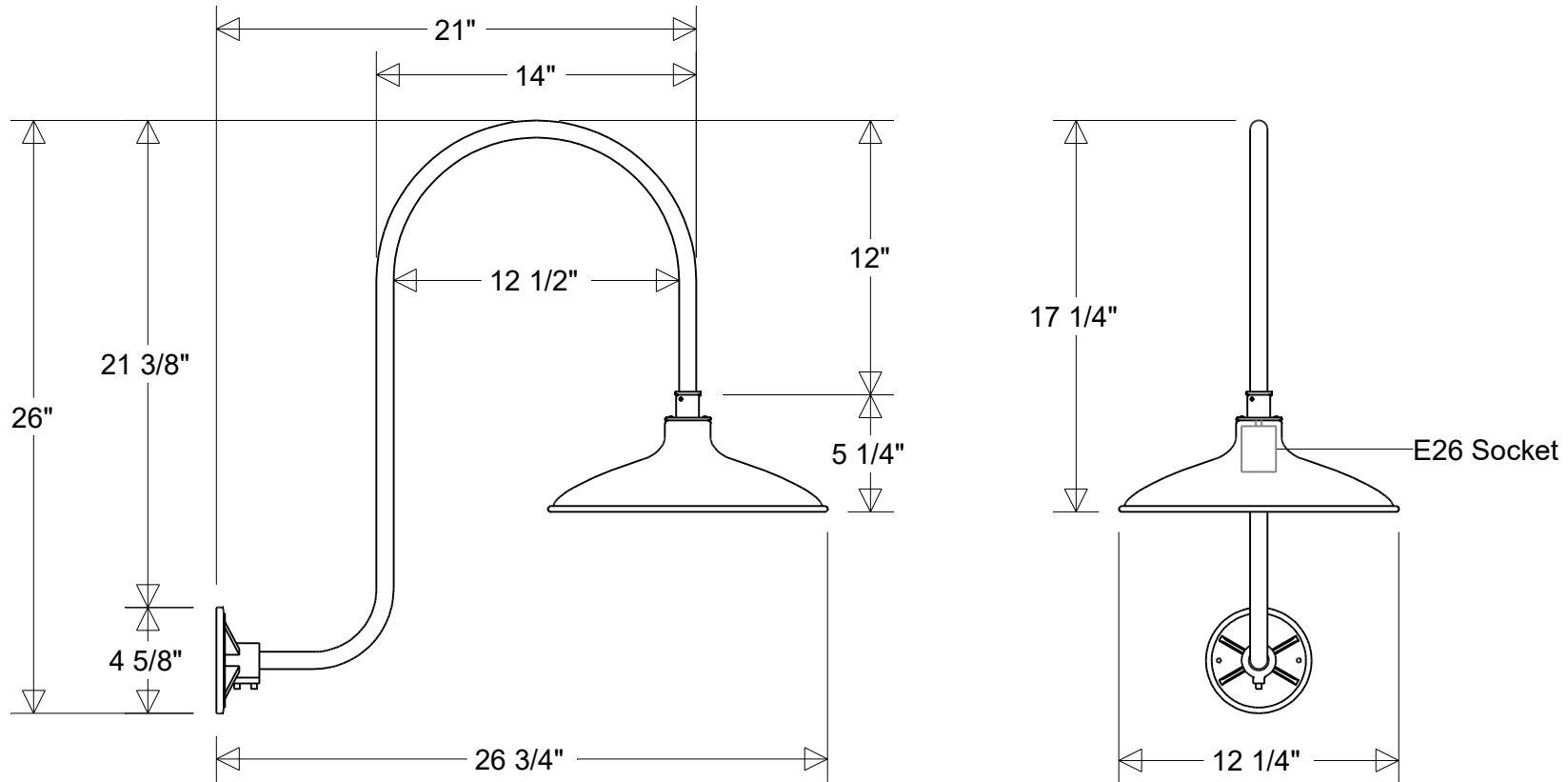


Primelite Manufacturing Corp.

407 S Main St, Freeport, NY 11520
 Phone: (516) 868-4411 | Fax: (516) 868-4609
 sales@primelite-mfg.com | www.primelite-mfg.com

PROUDLY MADE IN THE USA SINCE 1962!
"SPECIALTIES ARE OUR SPECIALTY!"

Job Info



#116/12-874

12 1/4" Dia | 26 3/4" Ext | 26" H
 Shade: #116/12A | Arm: #874

Lamp: E26 Socket Max Wattage: 100 W Number of Sockets: 1 120 V	Finish: 29 Oven Baked Powder Coated Paints	Drawn: CB 04/2026	Scale: 1/8	Approvals
	Material: Aluminum	Note: All dimensions are nominal. Actual dimensions may vary.		

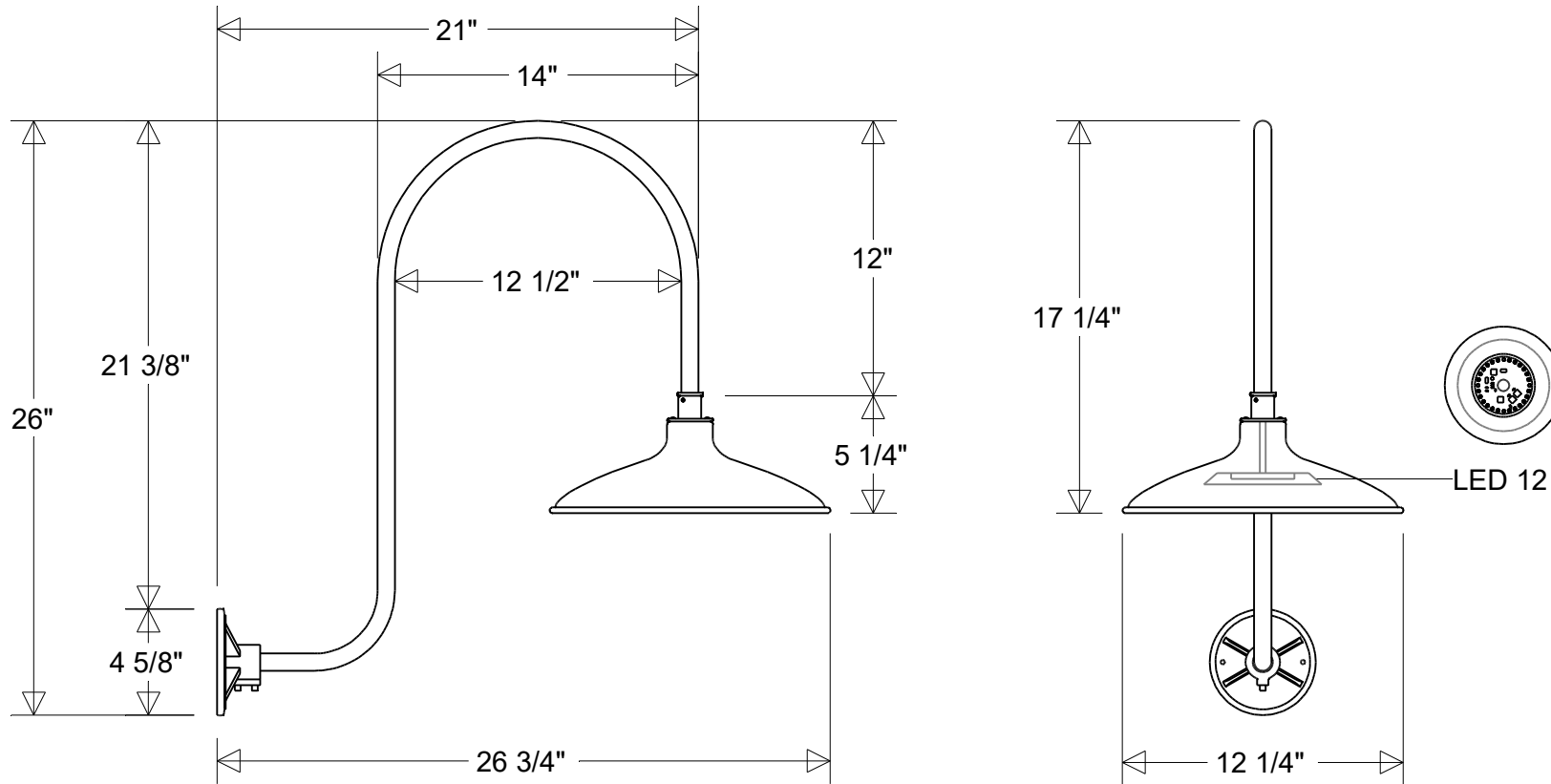


Primelite Manufacturing Corp.

407 S Main St, Freeport, NY 11520
 Phone: (516) 868-4411 | Fax: (516) 868-4609
 sales@primelite-mfg.com | www.primelite-mfg.com

PROUDLY MADE IN THE USA SINCE 1962!
"SPECIALTIES ARE OUR SPECIALTY!"

Job Info



#116/12-874 LED 12

12 1/4" Dia | 26 3/4" Ext | 26" H
 Shade: #116/12A LED 12 | Arm: #874

Lamp: 12 W LED
 CCT: 3K or 4K
 75W Inc Equivalent
 80 CRI
 120V
 Electronic Dimming

Finish:
 29 Oven Baked
 Powder Coated Paints
Material:
 Aluminum

Drawn:
 CB
 04/2026

Scale:
 1/8"

Note:
 All dimensions are nominal.
 Actual dimensions may vary.

Approvals

