

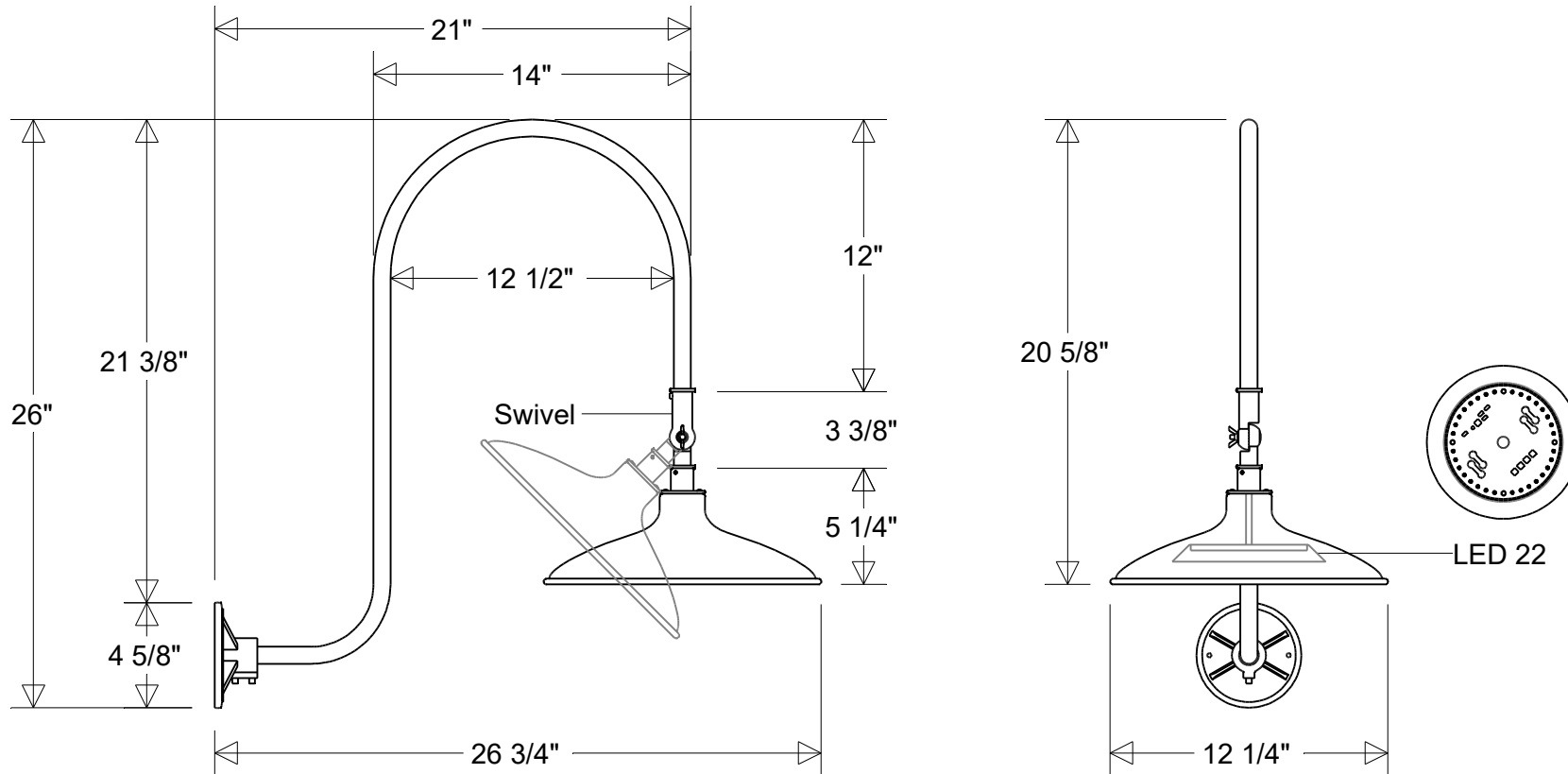


# Primelite Manufacturing Corp.

407 S Main St, Freeport, NY 11520  
 Phone: (516) 868-4411 | Fax: (516) 868-4609  
 sales@primelite-mfg.com | www.primelite-mfg.com

**PROUDLY MADE IN THE USA SINCE 1962!**  
**"SPECIALTIES ARE OUR SPECIALTY!"**

Job Info



## #116/12-874 ESW LED 22

12 1/4" Dia | 26 3/4" Ext | 26" H  
 Shade: #116/12A LED 22 | Arm: #874 ESW

**Lamp: 22 W LED**  
 CCT: 3K or 4K  
 125W Inc Equivalent  
 80 CRI  
 120V  
 Electronic Dimming

**Finish:**  
 29 Oven Baked  
 Powder Coated Paints  
**Material:**  
 Aluminum

**Drawn:**  
 CB  
 04/2026

**Scale:**  
 1/8

**Note:**  
 All dimensions are nominal.  
 Actual dimensions may vary.

Approvals

|  |  |
|--|--|
|  |  |
|  |  |
|  |  |