

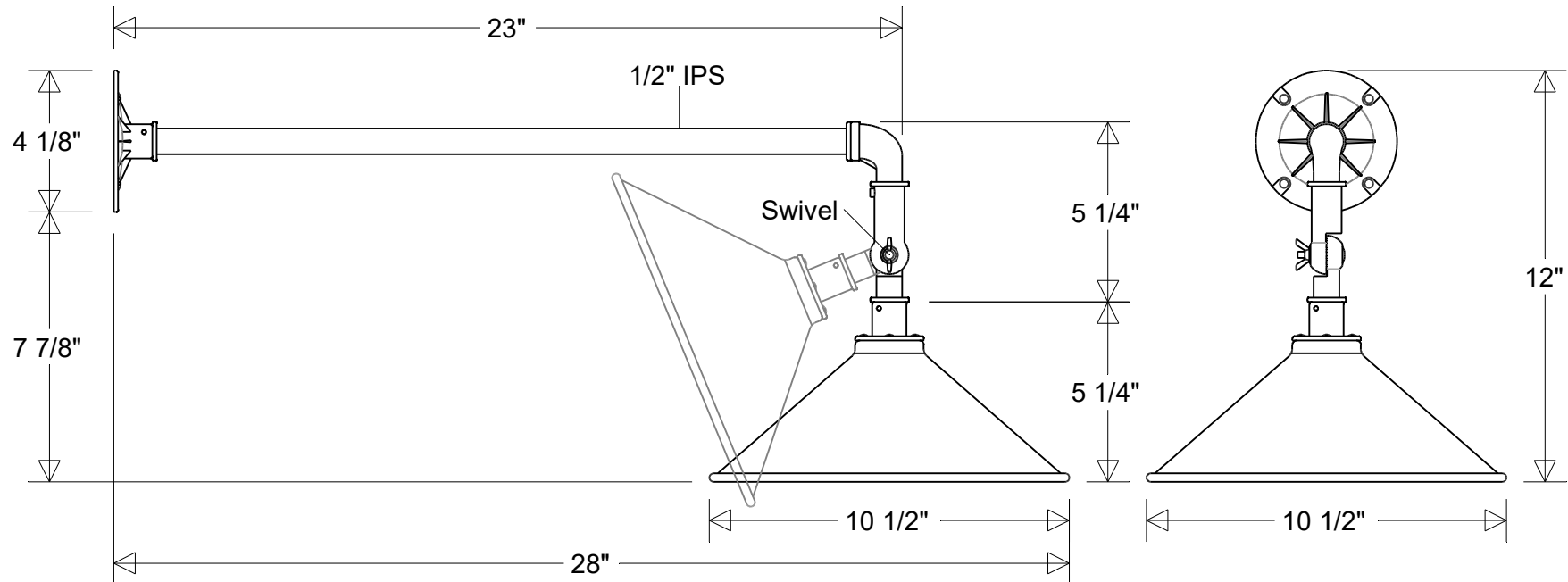


# Primelite Manufacturing Corp.

407 S Main St, Freeport, NY 11520  
 Phone: (516) 868-4411 | Fax: (516) 868-4609  
 sales@primelite-mfg.com | www.primelite-mfg.com

**PROUDLY MADE IN THE USA SINCE 1962!**  
**"SPECIALTIES ARE OUR SPECIALTY!"**

Job Info



## #111/10-855 ESW Series

10 1/2" Dia | 28" Ext | 12" H  
 Shade: #111/10A | Arm: #855 ESW

**Lamp Options:**

E26 Socket  
 LED12 | LED22  
 Others Available

**Finish:**

29 Oven Baked  
 Powder Coated Paints

**Material:**  
 Aluminum

**Drawn:**

CB  
 04/2026

**Note:**

All dimensions are nominal.  
 Actual dimensions may vary.

**Scale:**

1/5

**Approvals**

|  |  |
|--|--|
|  |  |
|  |  |
|  |  |

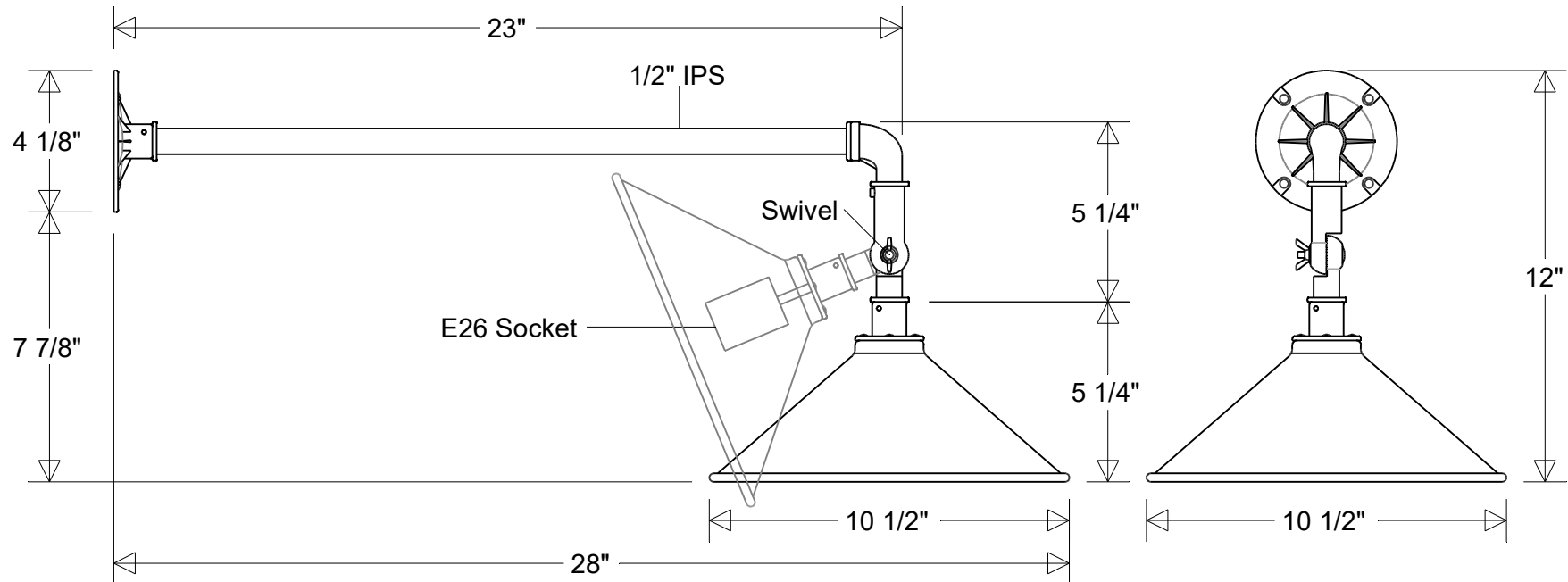


# Primelite Manufacturing Corp.

407 S Main St, Freeport, NY 11520  
 Phone: (516) 868-4411 | Fax: (516) 868-4609  
 sales@primelite-mfg.com | www.primelite-mfg.com

**PROUDLY MADE IN THE USA SINCE 1962!**  
**"SPECIALTIES ARE OUR SPECIALTY!"**

Job Info



## #111/10-855 ESW

10 1/2" Dia | 28" Ext | 12" H  
 Shade: #111/10A | Arm: #855 ESW

**Lamp: E26 Socket**  
 Max Wattage: 60 W  
 Number of Sockets: 1  
 120 V

**Finish:**  
 29 Oven Baked  
 Powder Coated Paints  
**Material:**  
 Aluminum

**Drawn:**  
 CB  
 04/2026  
**Scale:**  
 1/5

**Note:**  
 All dimensions are nominal.  
 Actual dimensions may vary.

| Approvals |  |
|-----------|--|
|           |  |
|           |  |
|           |  |

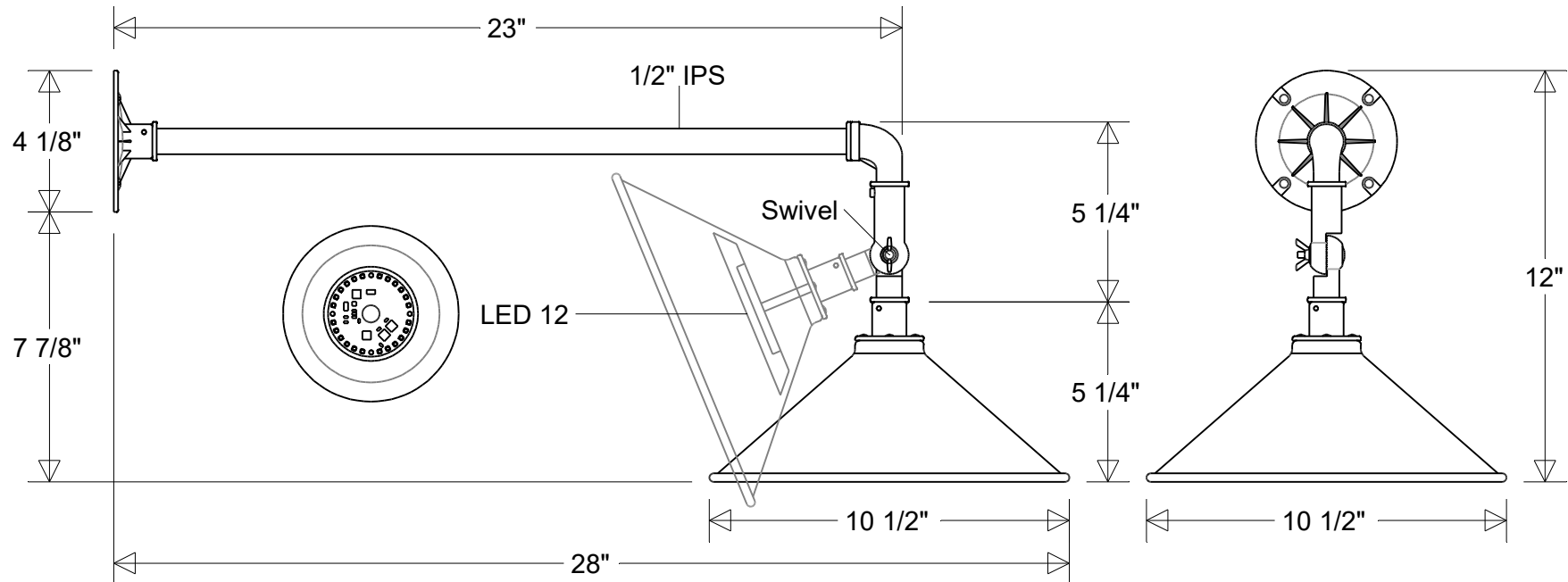


# Primelite Manufacturing Corp.

407 S Main St, Freeport, NY 11520  
 Phone: (516) 868-4411 | Fax: (516) 868-4609  
 sales@primelite-mfg.com | www.primelite-mfg.com

**PROUDLY MADE IN THE USA SINCE 1962!**  
**"SPECIALTIES ARE OUR SPECIALTY!"**

Job Info



## #111/10-855 ESW LED 12

10 1/2" Dia | 28" Ext | 12" H  
 Shade: #111/10A LED 12 | Arm: #855 ESW

**Lamp:** 12 W LED  
 CCT: 3K or 4K  
 75W Inc Equivalent  
 80 CRI  
 120V  
 Electronic Dimming

**Finish:**  
 29 Oven Baked  
 Powder Coated Paints  
**Material:**  
 Aluminum

**Drawn:**  
 CB  
 04/2026

**Scale:**  
 1/5

**Note:**  
 All dimensions are nominal.  
 Actual dimensions may vary.

| Approvals |  |
|-----------|--|
|           |  |
|           |  |
|           |  |

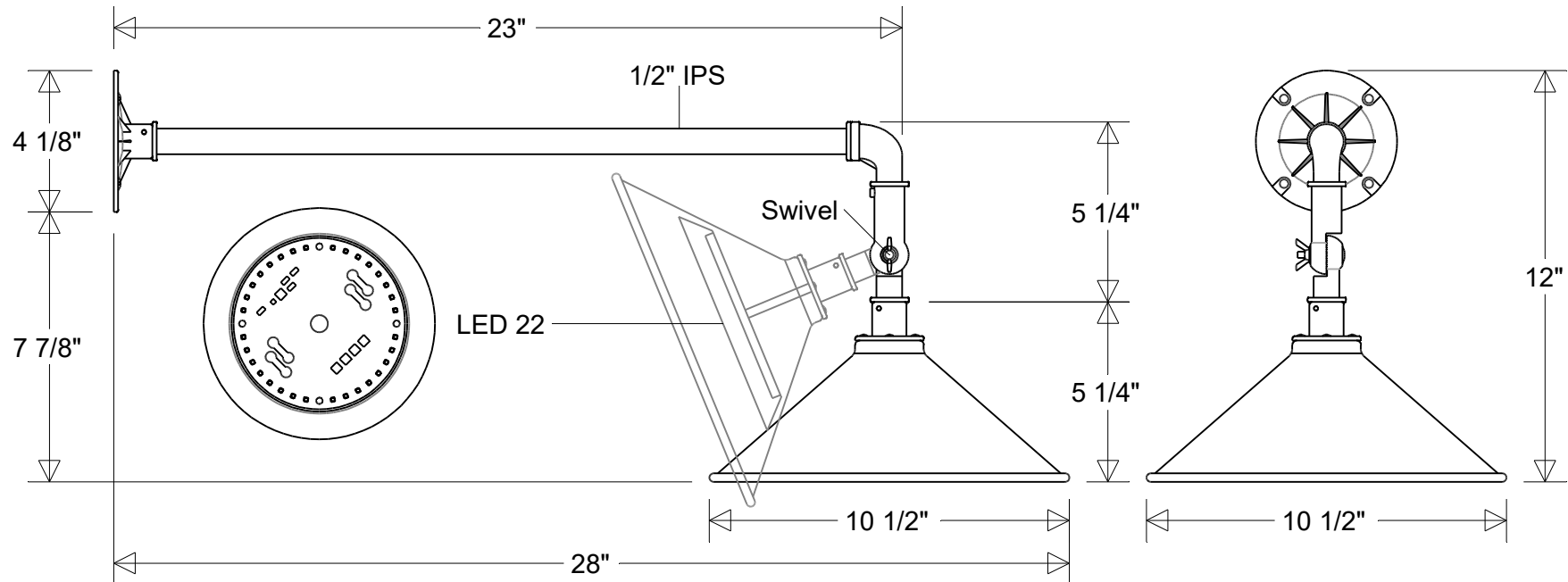


# Primelite Manufacturing Corp.

407 S Main St, Freeport, NY 11520  
 Phone: (516) 868-4411 | Fax: (516) 868-4609  
 sales@primelite-mfg.com | www.primelite-mfg.com

**PROUDLY MADE IN THE USA SINCE 1962!**  
**"SPECIALTIES ARE OUR SPECIALTY!"**

Job Info



## #111/10-855 ESW LED 22

10 1/2" Dia | 28" Ext | 12" H  
 Shade: #111/10A LED 22 | Arm: #855 ESW

**Lamp: 22 W LED**  
 CCT: 3K or 4K  
 125W Inc Equivalent  
 80 CRI  
 120V  
 Electronic Dimming

**Finish:**  
 29 Oven Baked  
 Powder Coated Paints  
**Material:**  
 Aluminum

**Drawn:**  
 CB  
 04/2026  
**Scale:**  
 1/5

**Note:**  
 All dimensions are nominal.  
 Actual dimensions may vary.

Approvals

|  |  |
|--|--|
|  |  |
|  |  |
|  |  |