

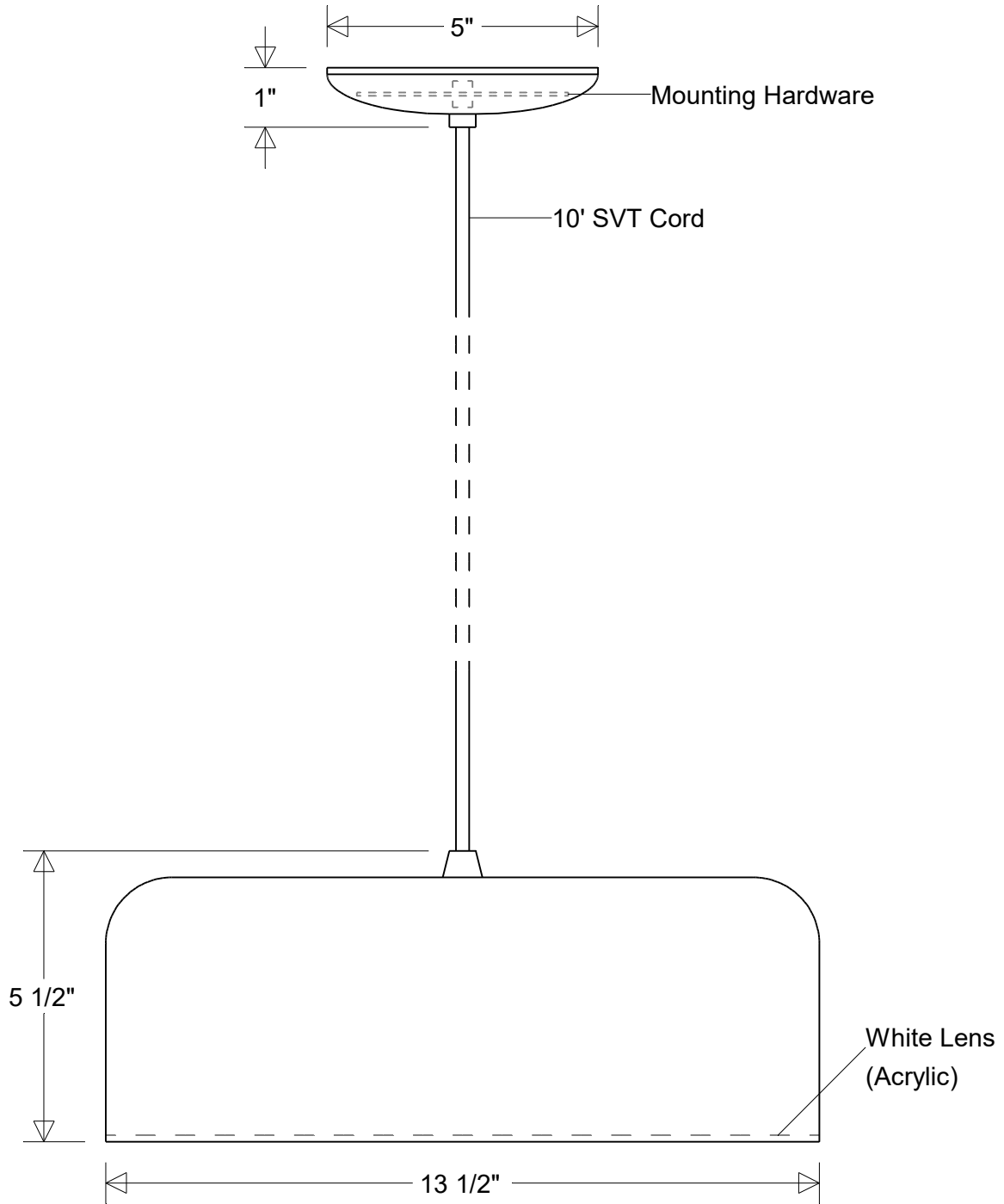


# Primelite Manufacturing Corp.

407 S Main St, Freeport, NY 11520  
 Phone: (516) 868-4411 | Fax: (516) 868-4609  
 sales@primelite-mfg.com | www.primelite-mfg.com

**PROUDLY MADE IN THE USA SINCE 1962!**  
**"SPECIALTIES ARE OUR SPECIALTY!"**

Job Info



## #11038/14 Series

13 1/2" Dia | 5 1/2" H  
 10' SVT Cord: Black / White

**Lamp Options:**

E26 Socket  
 LED12 | LED22

LED48

LED40: Dimm | NonDimm

**Finish:**

29 Oven Baked  
 Powder Coated Paints

**Material:**

Aluminum  
 Acrylic Lens

**Drawn:**

CB  
 04/2026

**Note:**

All dimensions are nominal.  
 Actual dimensions may vary.

**Scale:**

1 / 3.125

**Approvals**

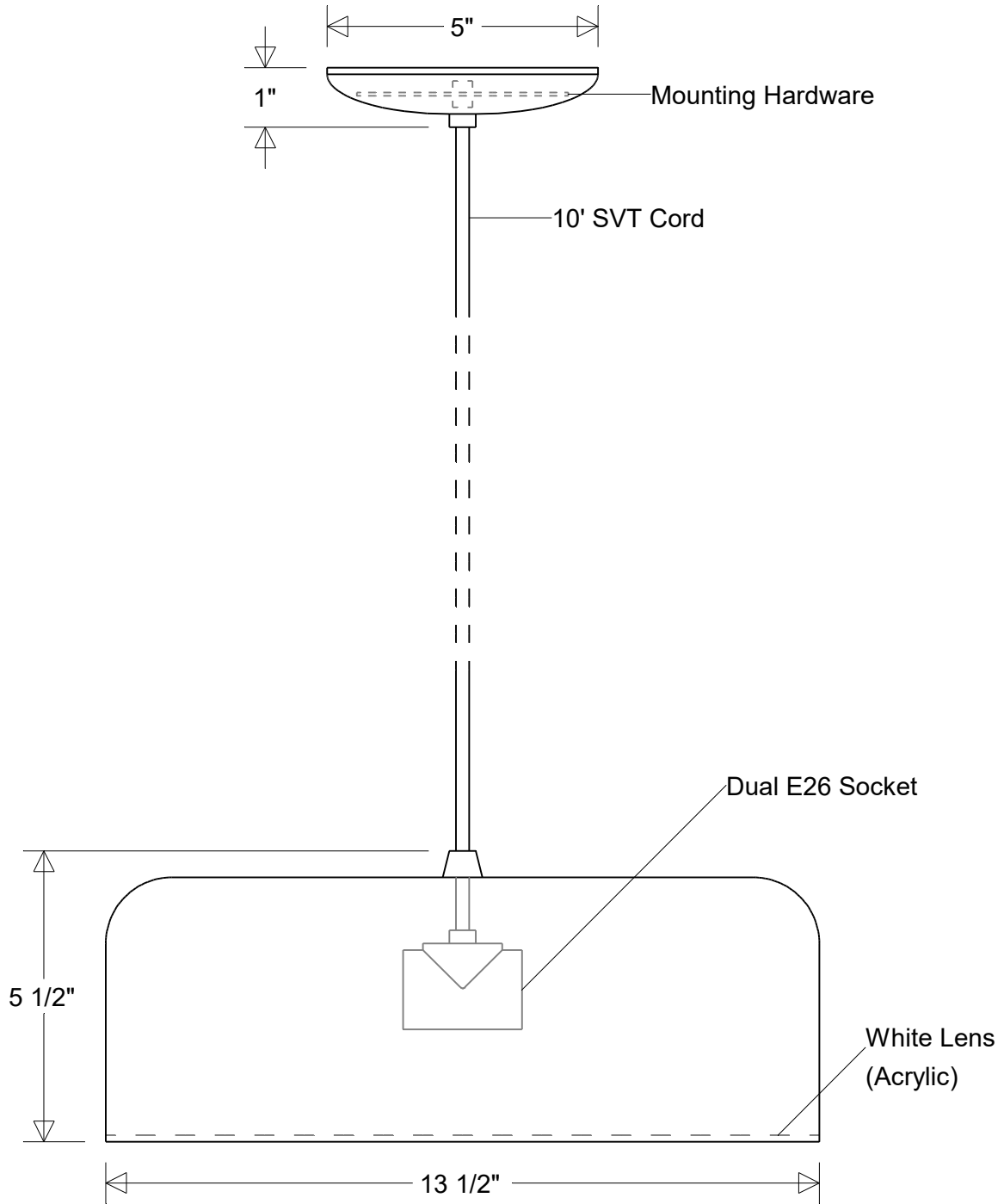



# Primelite Manufacturing Corp.

407 S Main St, Freeport, NY 11520  
 Phone: (516) 868-4411 | Fax: (516) 868-4609  
 sales@primelite-mfg.com | www.primelite-mfg.com

**PROUDLY MADE IN THE USA SINCE 1962!**  
**"SPECIALTIES ARE OUR SPECIALTY!"**

Job Info



**#11038/14**

13 1/2" Dia | 5 1/2" H  
 10' SVT Cord: Black / White

**Lamp: E26 Socket**

Max Wattage: 60 W each  
 Number of Sockets: 2  
 120 V

**Finish:**

29 Oven Baked  
 Powder Coated Paints

**Material:**

Aluminum  
 Acrylic Lens

**Drawn:**

CB  
 04/2026

**Scale:**

1 / 3.125

**Note:**

All dimensions are nominal.  
 Actual dimensions may vary.

**Approvals**

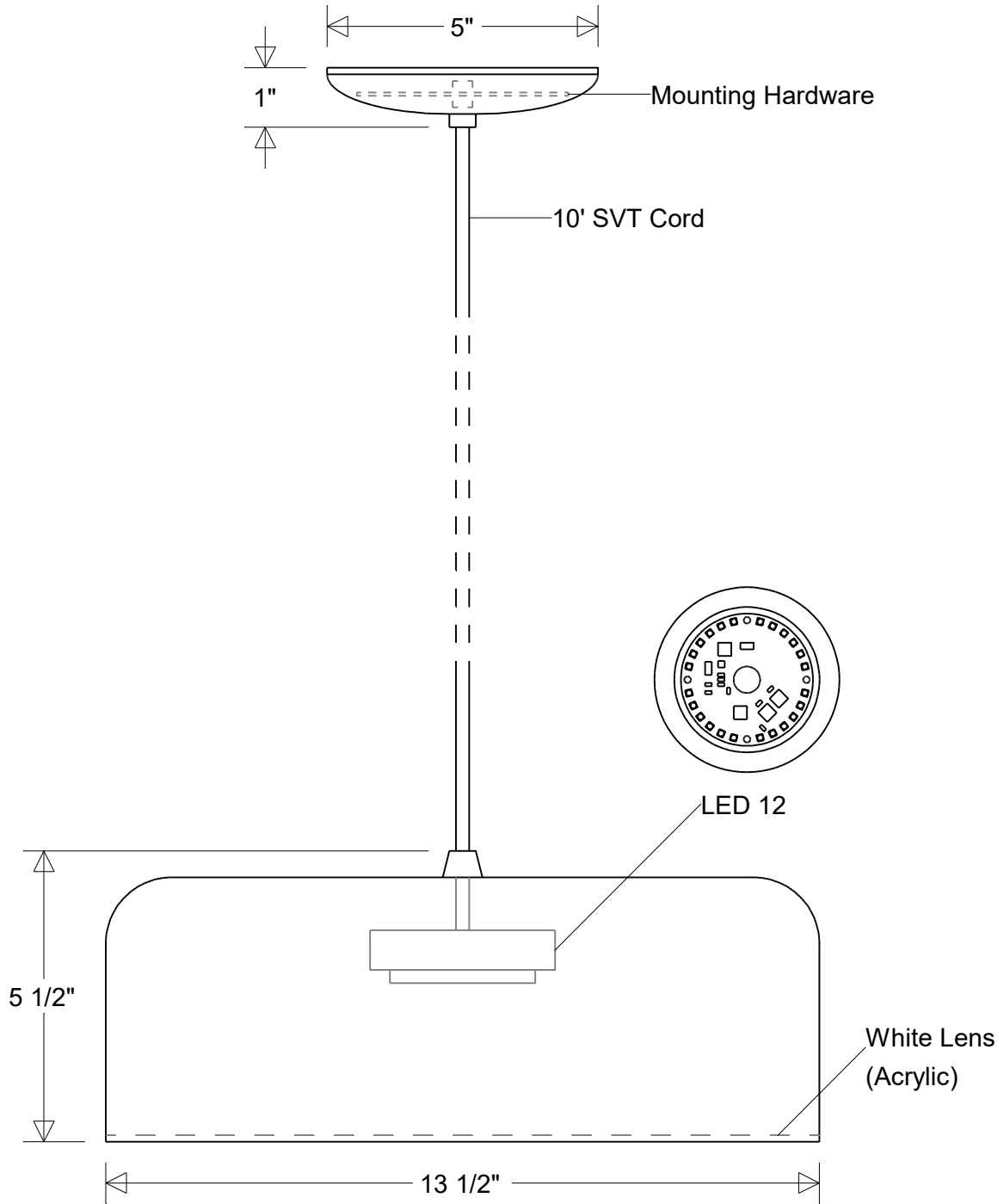



# Primelite Manufacturing Corp.

407 S Main St, Freeport, NY 11520  
 Phone: (516) 868-4411 | Fax: (516) 868-4609  
 sales@primelite-mfg.com | www.primelite-mfg.com

**PROUDLY MADE IN THE USA SINCE 1962!**  
**"SPECIALTIES ARE OUR SPECIALTY!"**

Job Info



## #11038/14 LED 12

13 1/2" Dia | 5 1/2" H  
 10' SVT Cord: Black / White

**Lamp: 12 W LED**  
 CCT: 3K or 4K  
 75W Inc Equivalent  
 80 CRI  
 120V  
 Electronic Dimming

**Finish:**  
 29 Oven Baked  
 Powder Coated Paints  
**Material:**  
 Aluminum  
 Acrylic Lens

**Drawn:**  
 CB  
 04/2026

**Scale:**  
 1 / 3.125

**Note:**  
 All dimensions are nominal.  
 Actual dimensions may vary.

Approvals

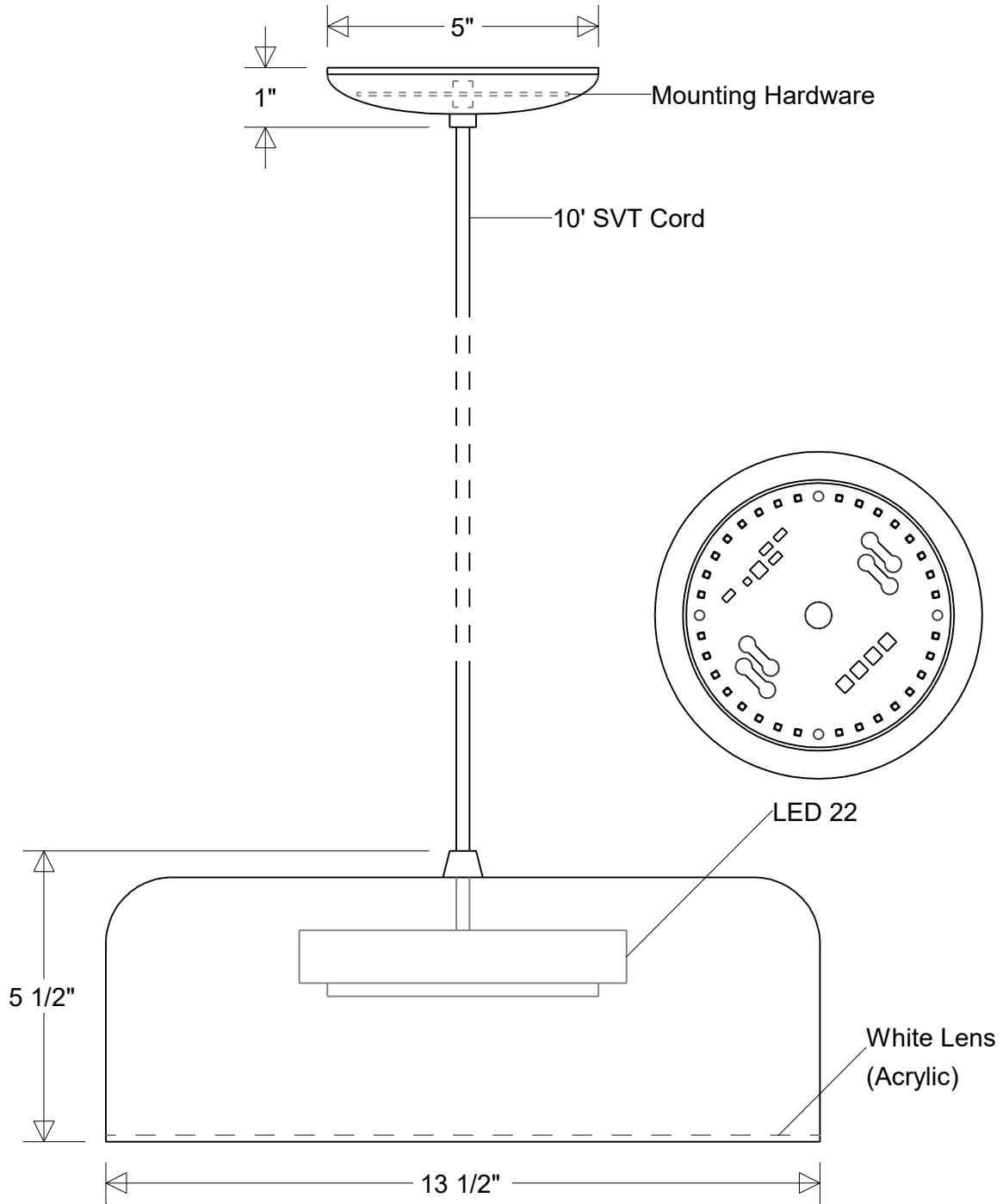


# Primelite Manufacturing Corp.

407 S Main St, Freeport, NY 11520  
 Phone: (516) 868-4411 | Fax: (516) 868-4609  
 sales@primelite-mfg.com | www.primelite-mfg.com

**PROUDLY MADE IN THE USA SINCE 1962!**  
**"SPECIALTIES ARE OUR SPECIALTY!"**

Job Info



## #11038/14 LED 22

13 1/2" Dia | 5 1/2" H  
 10' SVT Cord: Black / White

**Lamp: 22 W LED**  
 CCT: 3K or 4K  
 125W Inc Equivalent  
 80 CRI  
 120V  
 Electronic Dimming

**Finish:**  
 29 Oven Baked  
 Powder Coated Paints  
**Material:**  
 Aluminum  
 Acrylic Lens

**Drawn:**  
 CB  
 04/2026  
**Note:**  
 All dimensions are nominal.  
 Actual dimensions may vary.

**Scale:**  
 1 / 3.125

Approvals

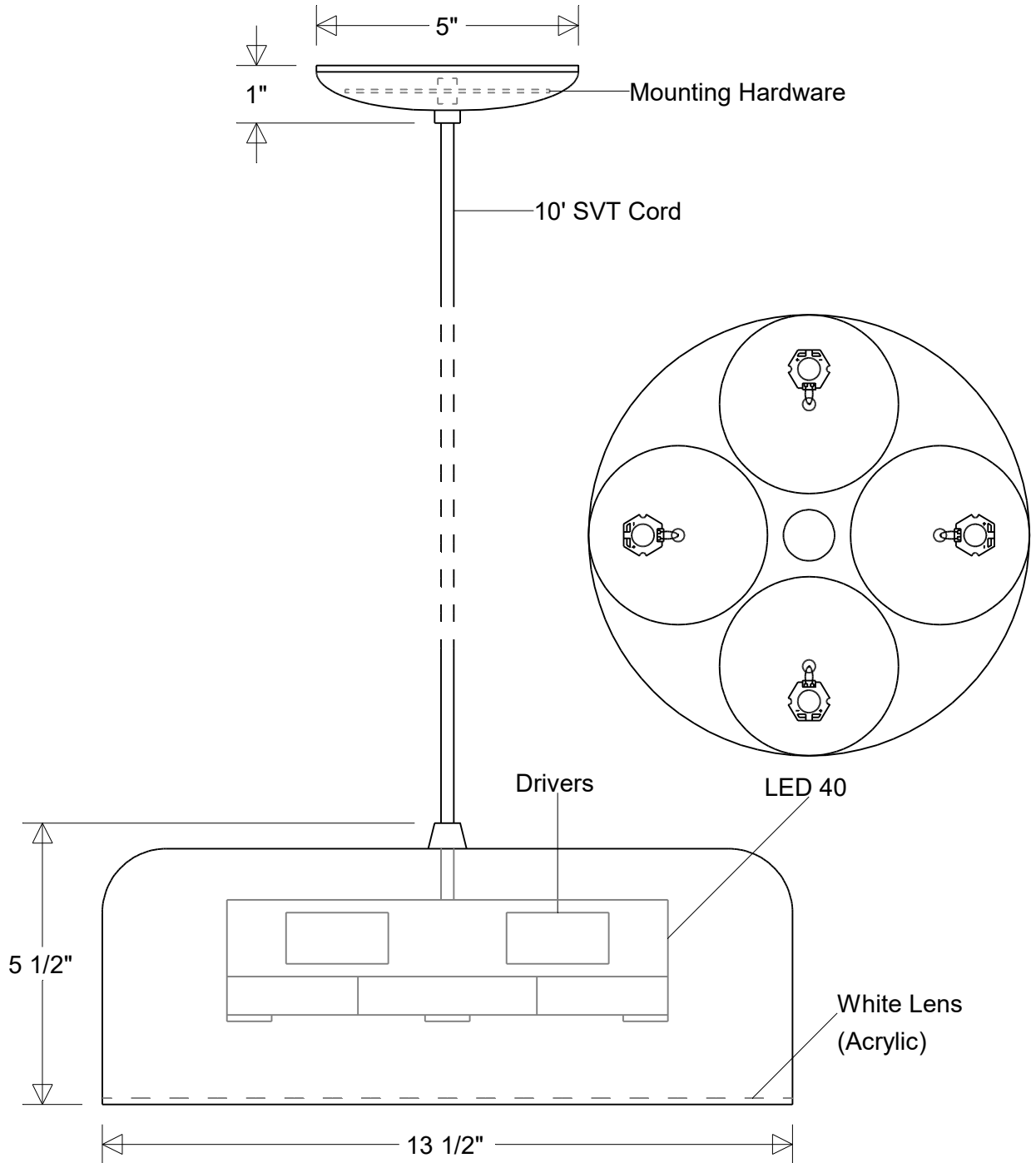



# Primelite Manufacturing Corp.

407 S Main St, Freeport, NY 11520  
 Phone: (516) 868-4411 | Fax: (516) 868-4609  
 sales@primelite-mfg.com | www.primelite-mfg.com

**PROUDLY MADE IN THE USA SINCE 1962!**  
**"SPECIALTIES ARE OUR SPECIALTY!"**

Job Info



## #11038/14 LED 40 Dimm

13 1/2" Dia | 5 1/2" H  
 10' SVT Cord: Black / White

**Lamp: 40 W LED**  
 CCT: 3K or 4K | Others  
 75W MH Equivalent  
 80 CRI  
 120-277 V  
 0-10 V Dimming

**Finish:**  
 29 Oven Baked  
 Powder Coated Paints  
**Material:**  
 Aluminum  
 Acrylic Lens

**Drawn:**  
 CB  
 04/2026  
**Note:**  
 All dimensions are nominal.  
 Actual dimensions may vary.

**Scale:**  
 1 / 3.125

Approvals

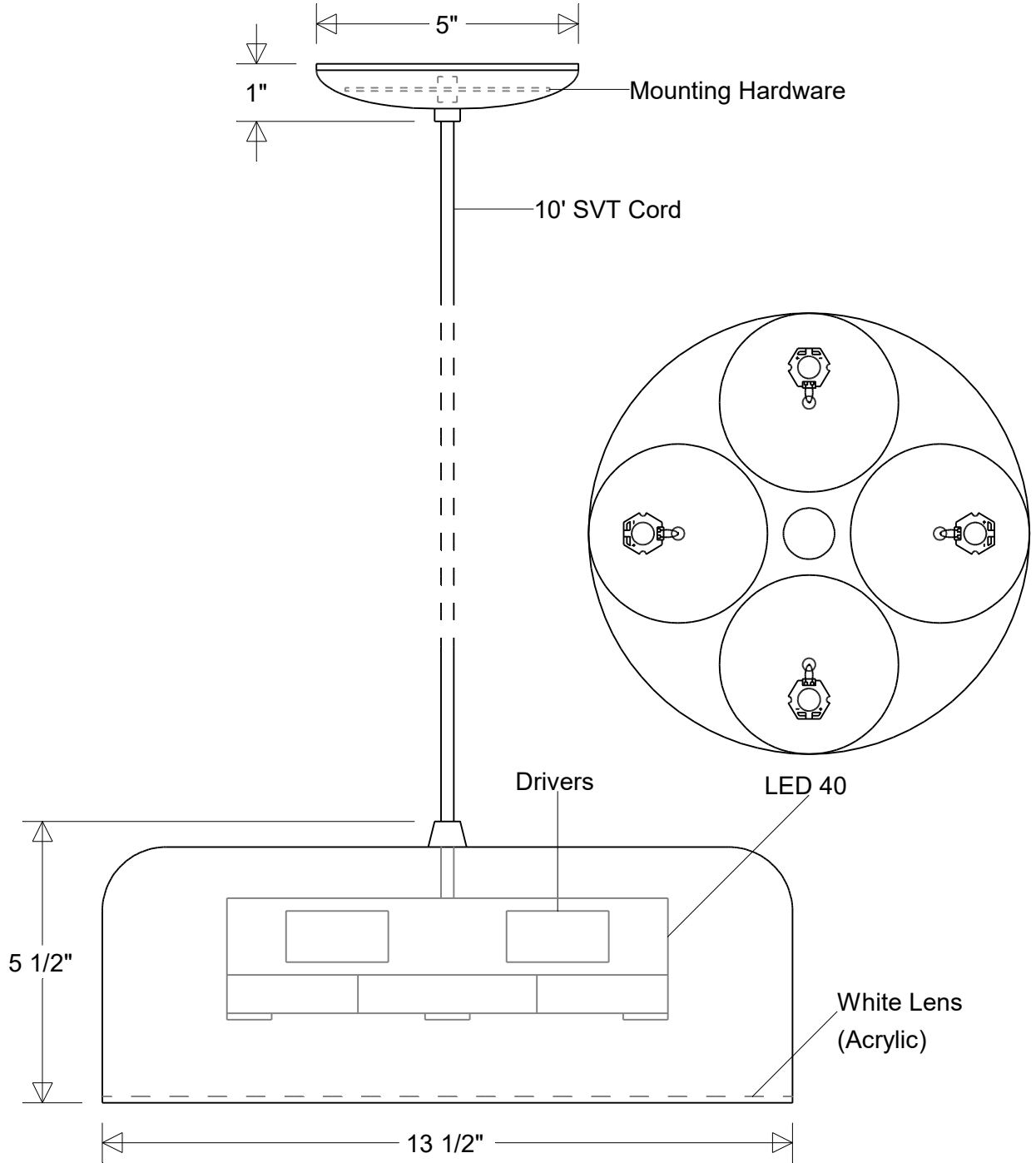


# Primelite Manufacturing Corp.

407 S Main St, Freeport, NY 11520  
 Phone: (516) 868-4411 | Fax: (516) 868-4609  
 sales@primelite-mfg.com | www.primelite-mfg.com

**PROUDLY MADE IN THE USA SINCE 1962!**  
**"SPECIALTIES ARE OUR SPECIALTY!"**

Job Info



## #11038/14 LED 40 NonDimm

13 1/2" Dia | 5 1/2" H  
 10' SVT Cord: Black / White

**Lamp: 40 W LED**  
 CCT: 3K or 4K | Others  
 75W MH Equivalent  
 80 CRI  
 120-277 V  
 Non-Dimming

**Finish:**  
 29 Oven Baked  
 Powder Coated Paints  
**Material:**  
 Aluminum  
 Acrylic Lens

**Drawn:**  
 CB  
 04/2026  
**Note:**  
 All dimensions are nominal.  
 Actual dimensions may vary.

**Scale:**  
 1 / 3.125

Approvals

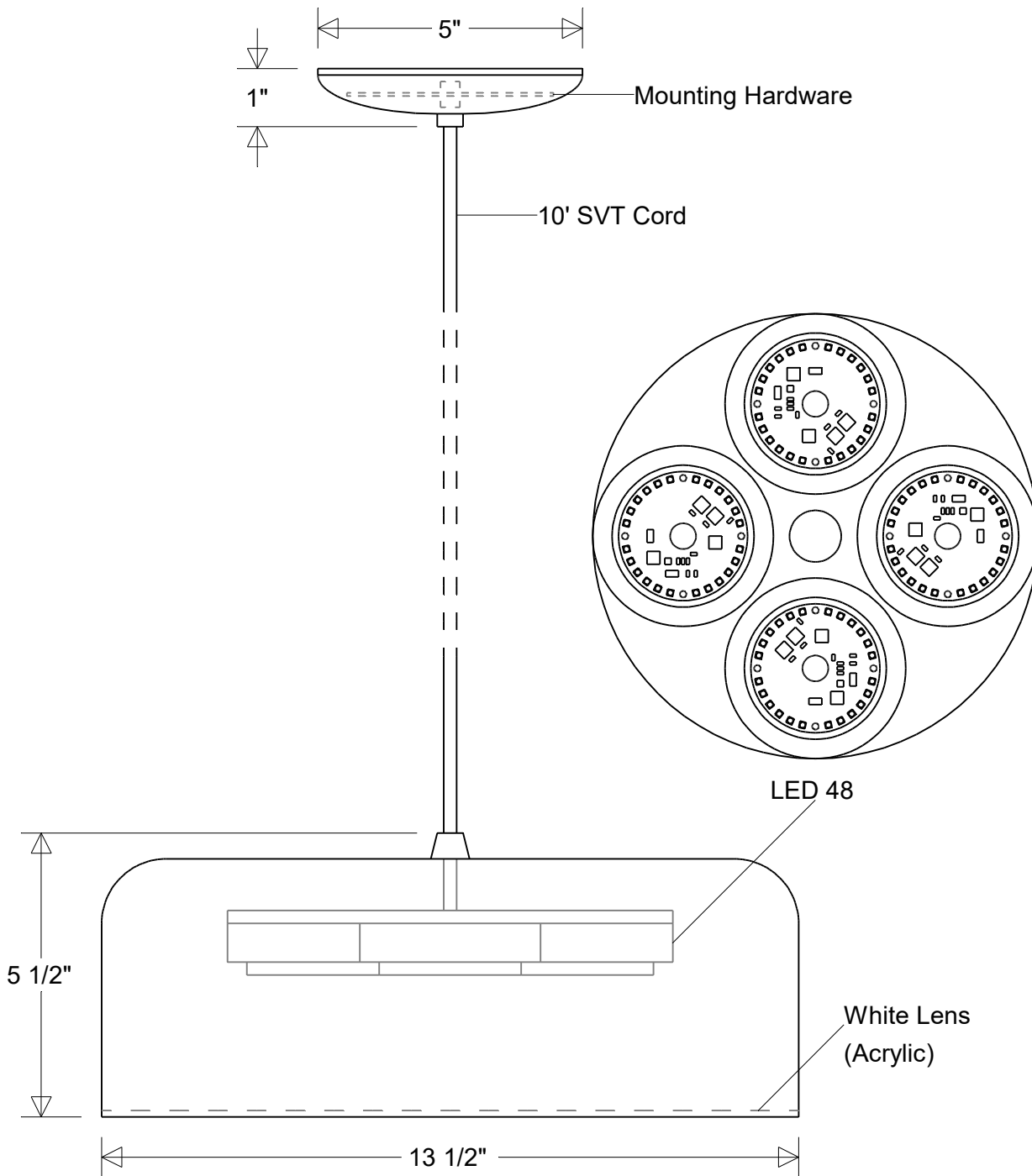


# Primelite Manufacturing Corp.

407 S Main St, Freeport, NY 11520  
 Phone: (516) 868-4411 | Fax: (516) 868-4609  
 sales@primelite-mfg.com | www.primelite-mfg.com

**PROUDLY MADE IN THE USA SINCE 1962!**  
**"SPECIALTIES ARE OUR SPECIALTY!"**

Job Info



## #11038/14 LED 48

13 1/2" Dia | 5 1/2" H  
 10' SVT Cord: Black / White

**Lamp: 48 W LED**  
 CCT: 3K or 4K  
 75W MH Equivalent  
 80 CRI  
 120V  
 Electronic Dimming

**Finish:**  
 29 Oven Baked  
 Powder Coated Paints  
**Material:**  
 Aluminum  
 Acrylic Lens

**Drawn:**  
 CB  
 04/2026  
**Note:**  
 All dimensions are nominal.  
 Actual dimensions may vary.

**Scale:**  
 1 / 3.125

Approvals