

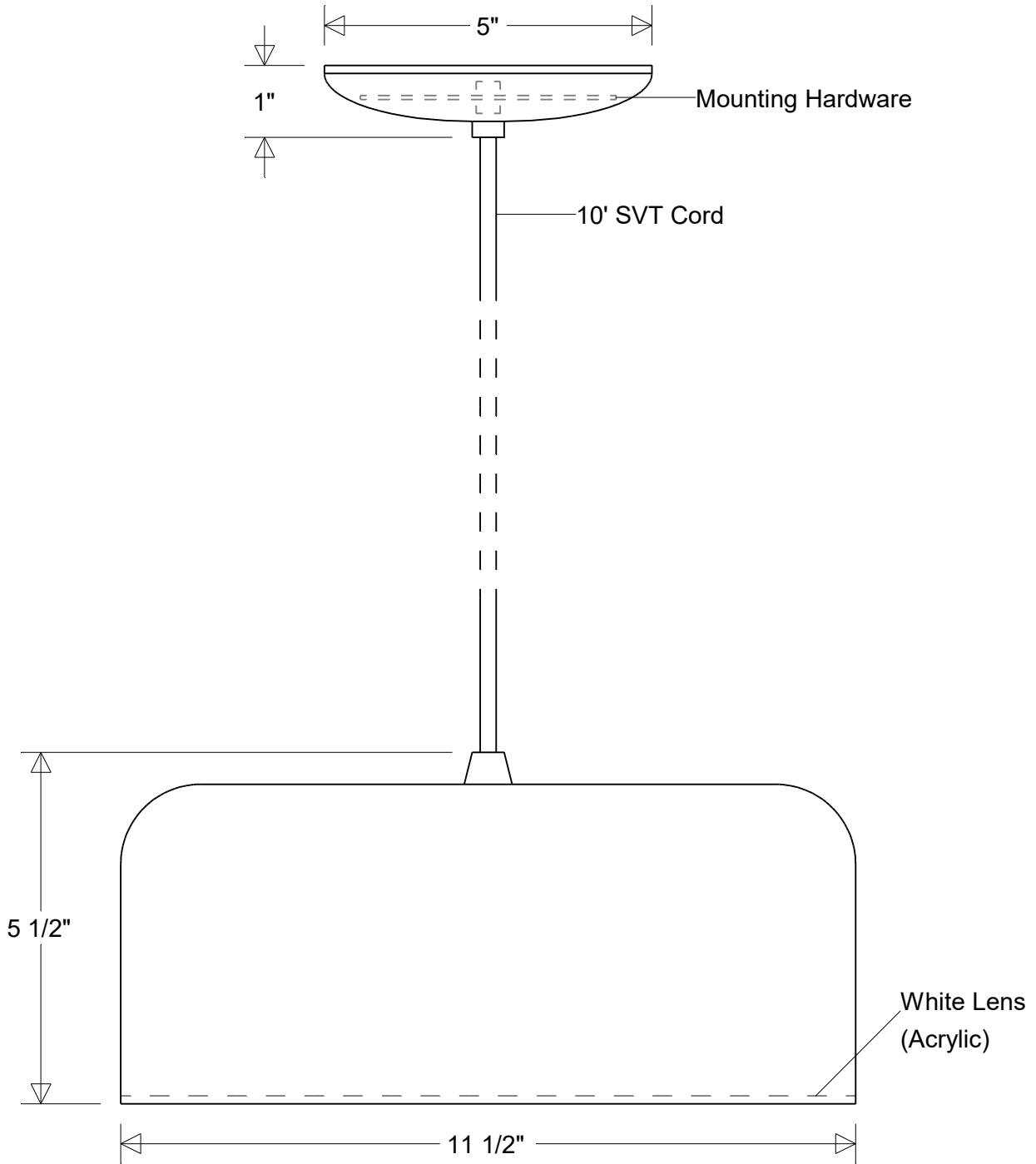


# Primelite Manufacturing Corp.

407 S Main St, Freeport, NY 11520  
 Phone: (516) 868-4411 | Fax: (516) 868-4609  
 sales@primelite-mfg.com | www.primelite-mfg.com

**PROUDLY MADE IN THE USA SINCE 1962!**  
**"SPECIALTIES ARE OUR SPECIALTY!"**

Job Info



<h2>#11038/12 Series</h2>	<b>Lamp Options:</b> E26 Socket LED12   LED22	<b>Finish:</b> 29 Oven Baked Powder Coated Paints	<b>Drawn:</b> CB 04/2026	<b>Scale:</b> 1 / 2.5	<b>Approvals</b>	
					11 1/2" Dia   5 1/2" H 10' SVT Cord: Black / White	
		<b>Material:</b> Aluminum Acrylic Lens	<b>Note:</b> All dimensions are nominal. Actual dimensions may vary.			

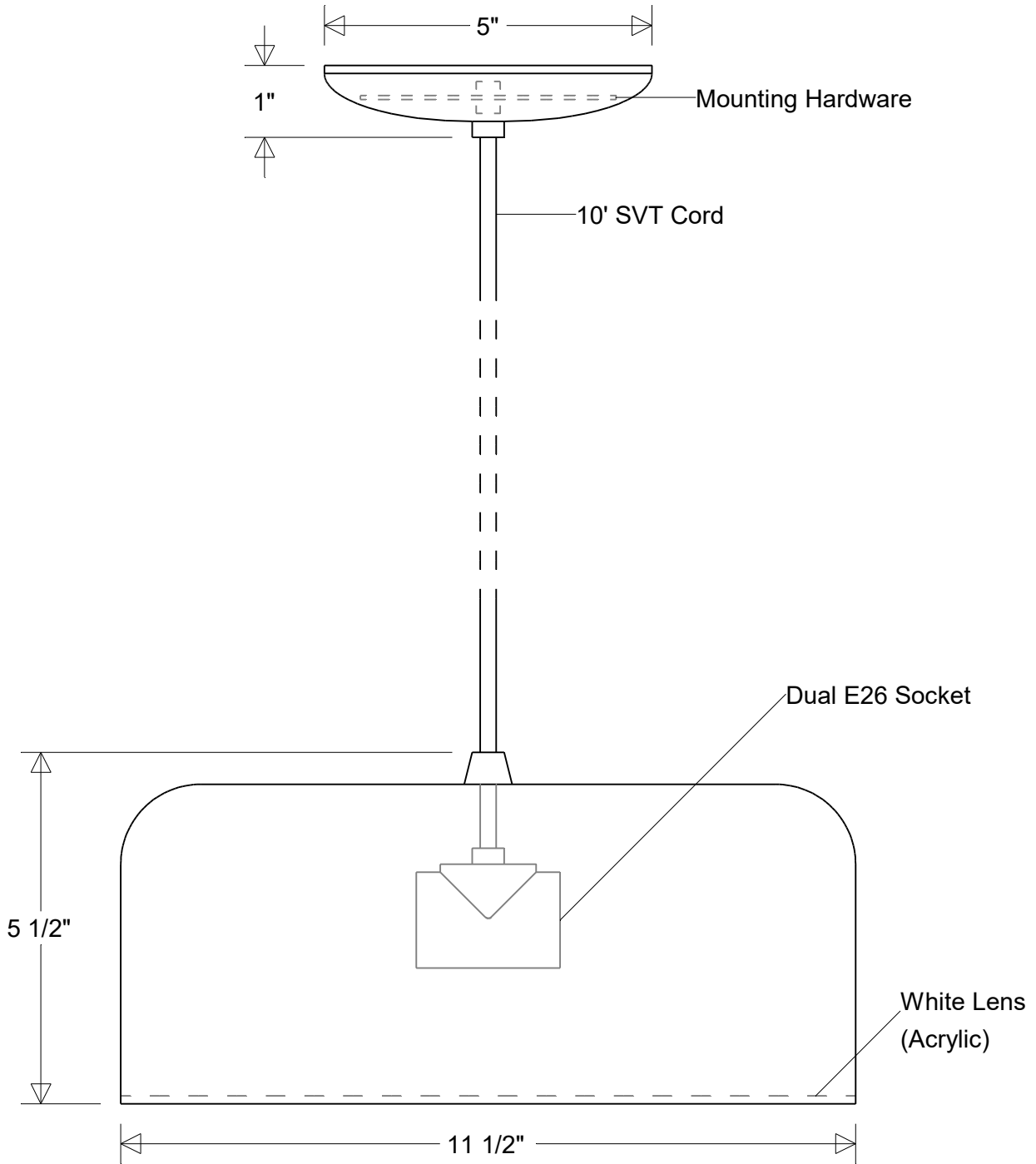


# Primelite Manufacturing Corp.

407 S Main St, Freeport, NY 11520  
 Phone: (516) 868-4411 | Fax: (516) 868-4609  
 sales@primelite-mfg.com | www.primelite-mfg.com

**PROUDLY MADE IN THE USA SINCE 1962!**  
**"SPECIALTIES ARE OUR SPECIALTY!"**

Job Info



**#11038/12**

11 1/2" Dia | 5 1/2" H  
 10' SVT Cord: Black / White

**Lamp: E26 Socket**

Max Wattage: 60 W each  
 Number of Sockets: 2  
 120 V

**Finish:**

29 Oven Baked  
 Powder Coated Paints

**Material:**

Aluminum  
 Acrylic Lens

**Drawn:**

CB  
 04/2026

**Scale:**

1 / 2.5

**Note:**

All dimensions are nominal.  
 Actual dimensions may vary.

**Approvals**

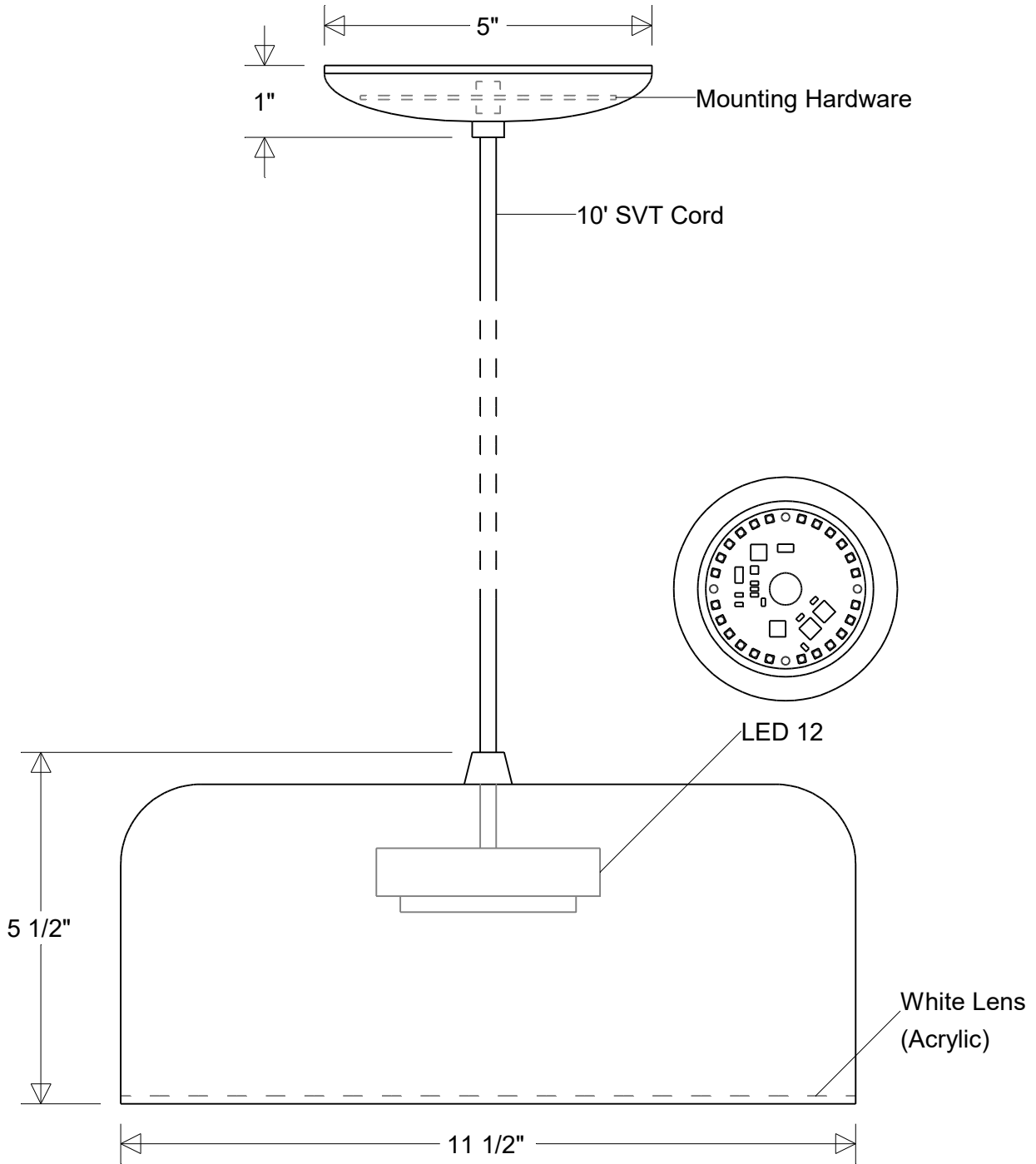



# Primelite Manufacturing Corp.

407 S Main St, Freeport, NY 11520  
 Phone: (516) 868-4411 | Fax: (516) 868-4609  
 sales@primelite-mfg.com | www.primelite-mfg.com

**PROUDLY MADE IN THE USA SINCE 1962!**  
**"SPECIALTIES ARE OUR SPECIALTY!"**

Job Info



## #11038/12 LED 12

11 1/2" Dia | 5 1/2" H  
 10' SVT Cord: Black / White

**Lamp:** 12 W LED  
 CCT: 3K or 4K  
 75W Inc Equivalent  
 80 CRI  
 120V  
 Electronic Dimming

**Finish:**  
 29 Oven Baked  
 Powder Coated Paints  
**Material:**  
 Aluminum  
 Acrylic Lens

**Drawn:**  
 CB  
 04/2026

**Scale:**  
 1 / 2.5

**Note:**  
 All dimensions are nominal.  
 Actual dimensions may vary.

Approvals

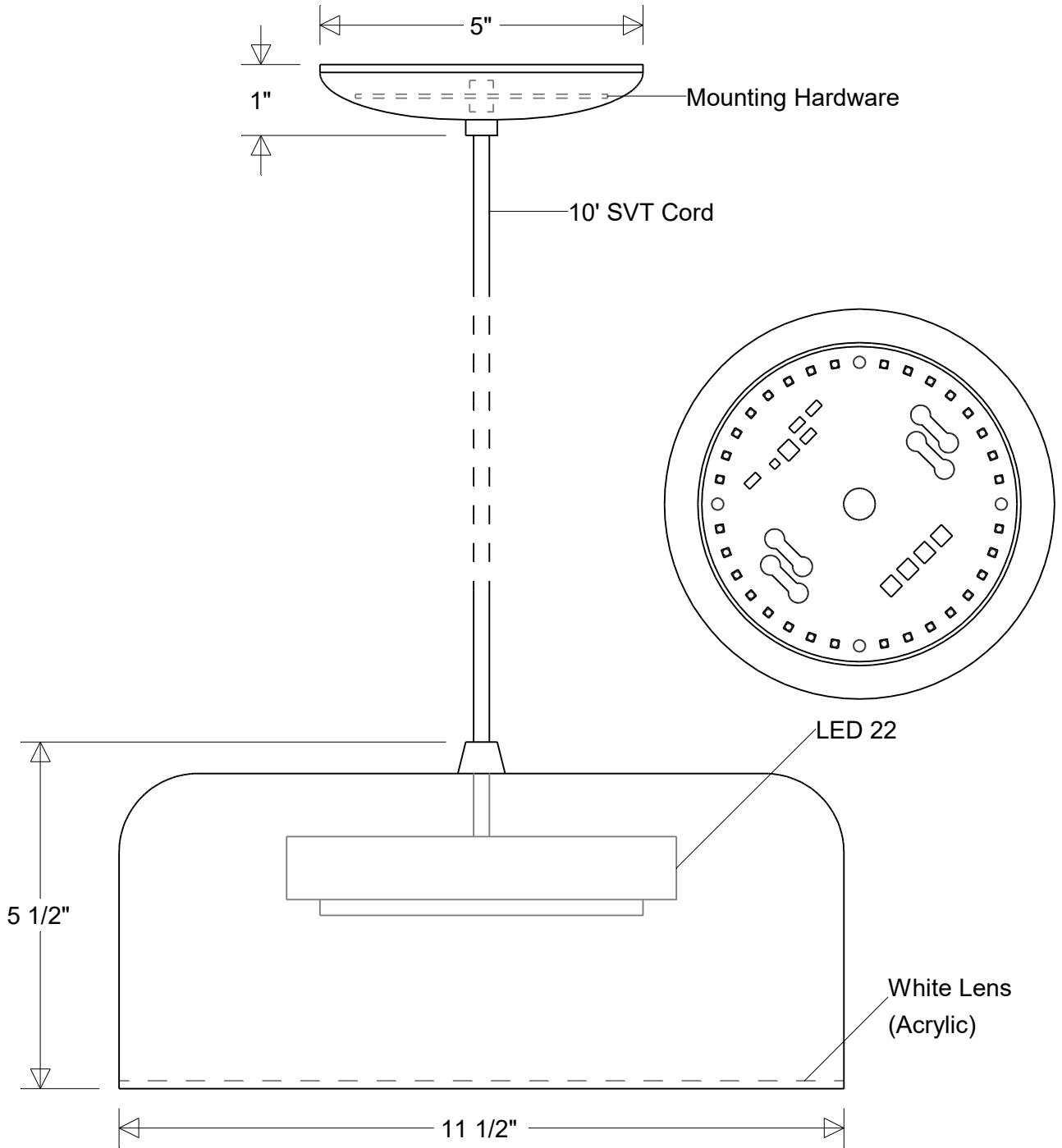


# Primelite Manufacturing Corp.

407 S Main St, Freeport, NY 11520  
 Phone: (516) 868-4411 | Fax: (516) 868-4609  
 sales@primelite-mfg.com | www.primelite-mfg.com

**PROUDLY MADE IN THE USA SINCE 1962!**  
**"SPECIALTIES ARE OUR SPECIALTY!"**

Job Info



## #11038/12 LED 22

11 1/2" Dia | 5 1/2" H  
 10' SVT Cord: Black / White

**Lamp: 22 W LED**  
 CCT: 3K or 4K  
 125W Inc Equivalent  
 80 CRI  
 120V  
 Electronic Dimming

**Finish:**  
 29 Oven Baked  
 Powder Coated Paints  
**Material:**  
 Aluminum  
 Acrylic Lens

**Drawn:**  
 CB  
 04/2026  
**Note:**  
 All dimensions are nominal.  
 Actual dimensions may vary.

**Scale:**  
 1 / 2.5

Approvals
