

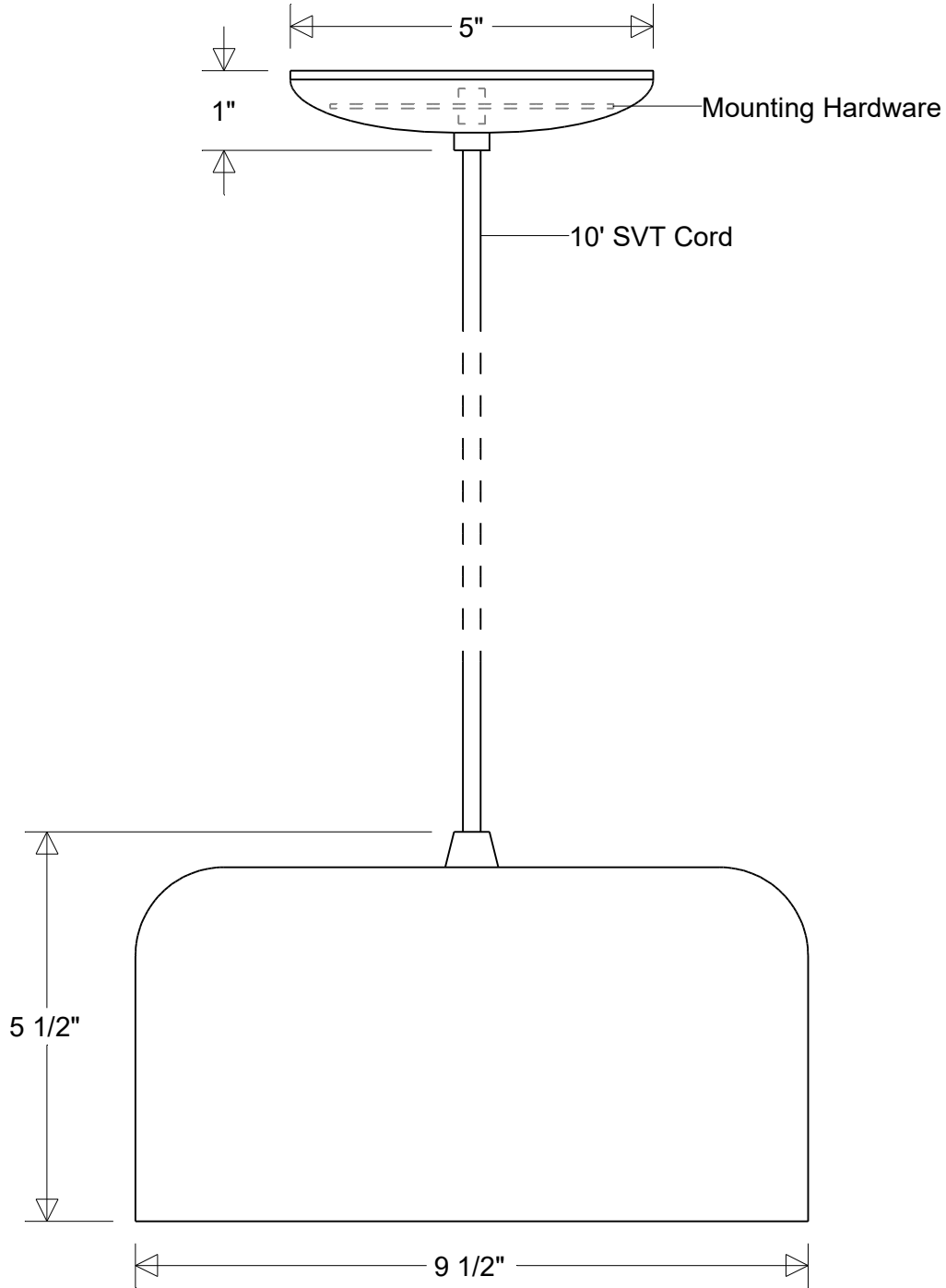


Primelite Manufacturing Corp.

407 S Main St, Freeport, NY 11520
Phone: (516) 868-4411 | Fax: (516) 868-4609
sales@primelite-mfg.com | www.primelite-mfg.com

PROUDLY MADE IN THE USA SINCE 1962!
"SPECIALTIES ARE OUR SPECIALTY!"

Job Info



#11037/10 Series

9 1/2" Dia | 5 1/2" H
10' SVT Cord: Black / White

Lamp Options:
E26 Socket
LED12 | LED22

Finish:
29 Oven Baked
Powder Coated Paints

Material:
Aluminum

Drawn:
CB
04/2026

Scale:
1 / 2.5

Note:
All dimensions are nominal.
Actual dimensions may vary.

Approvals

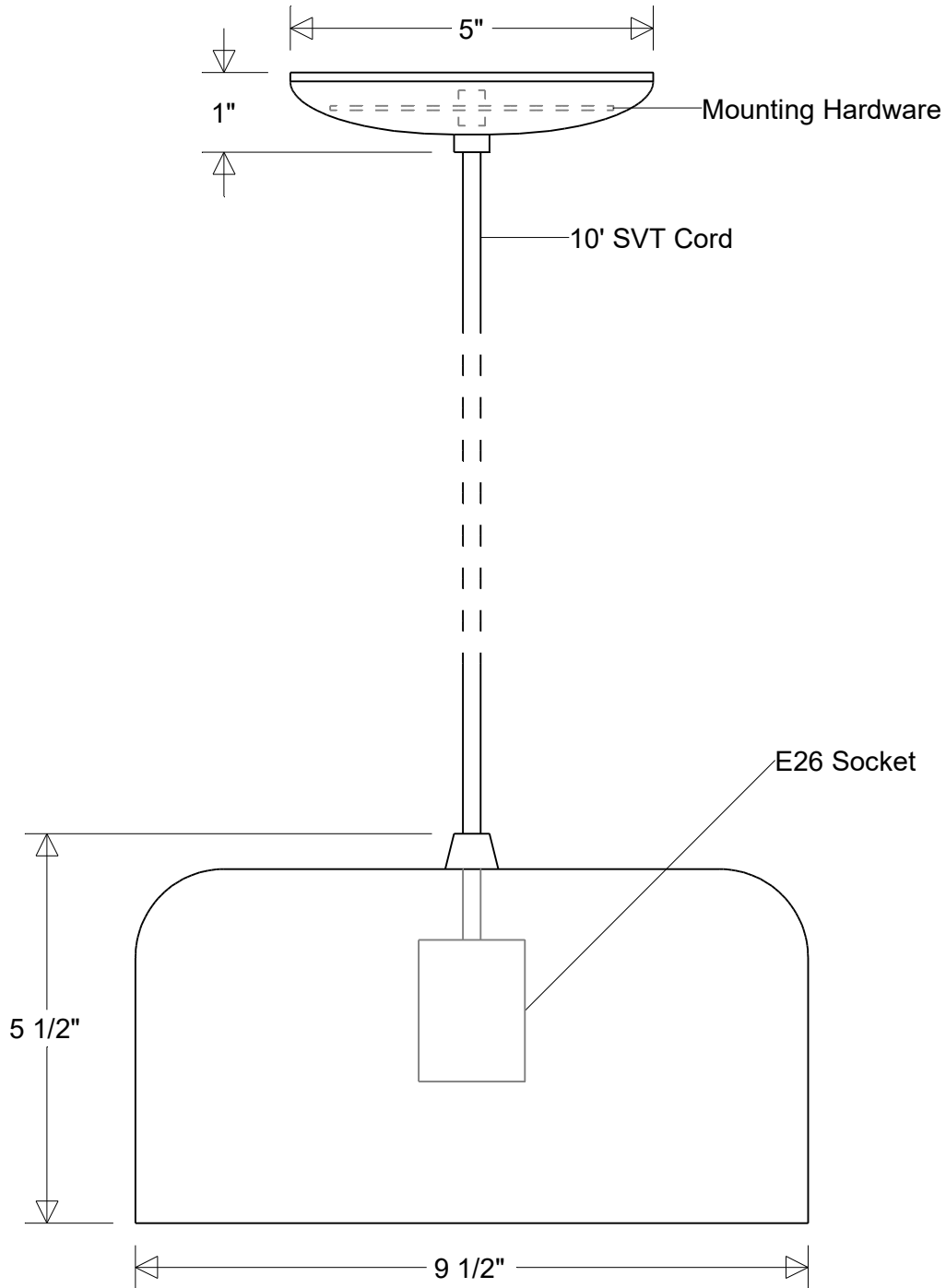


Primelite Manufacturing Corp.

407 S Main St, Freeport, NY 11520
Phone: (516) 868-4411 | Fax: (516) 868-4609
sales@primelite-mfg.com | www.primelite-mfg.com

PROUDLY MADE IN THE USA SINCE 1962!
"SPECIALTIES ARE OUR SPECIALTY!"

Job Info



#11037/10

9 1/2" Dia | 5 1/2" H
10' SVT Cord: Black / White

Lamp: E26 Socket
Max Wattage: 60 W
Number of Sockets: 1
120 V

Finish:
29 Oven Baked
Powder Coated Paints
Material:
Aluminum

Drawn:
CB
04/2026

Scale:
1 / 2.5

Note:
All dimensions are nominal.
Actual dimensions may vary.

Approvals

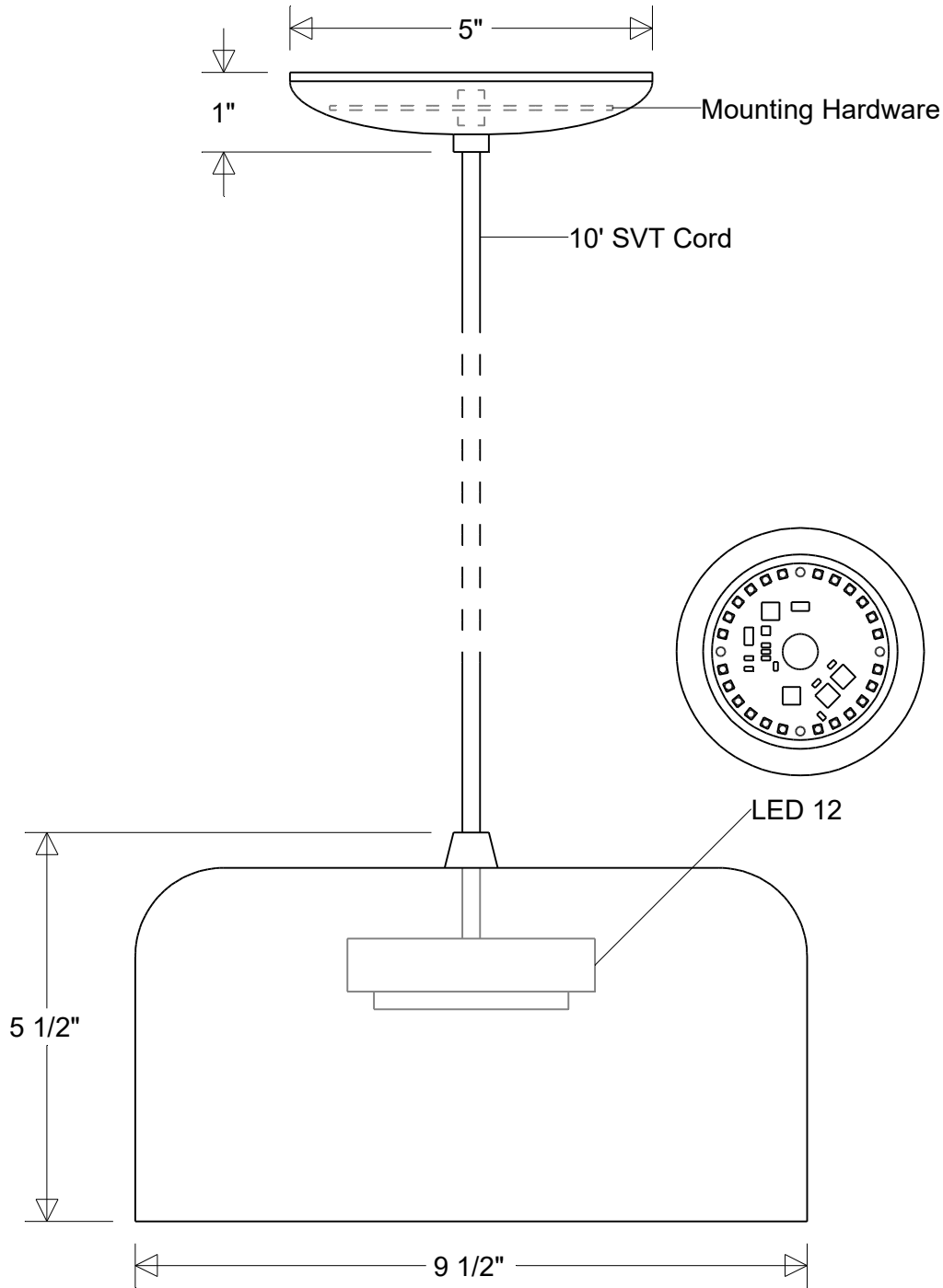


Primelite Manufacturing Corp.

407 S Main St, Freeport, NY 11520
 Phone: (516) 868-4411 | Fax: (516) 868-4609
 sales@primelite-mfg.com | www.primelite-mfg.com

PROUDLY MADE IN THE USA SINCE 1962!
"SPECIALTIES ARE OUR SPECIALTY!"

Job Info



#11037/10 LED 12

9 1/2" Dia | 5 1/2" H
 10' SVT Cord: Black / White

Lamp: 12 W LED
 CCT: 3K or 4K
 75W Inc Equivalent
 80 CRI
 120V
 Electronic Dimming

Finish:
 29 Oven Baked
 Powder Coated Paints
Material:
 Aluminum

Drawn:
 CB
 04/2026

Scale:
 1 / 2.5

Note:
 All dimensions are nominal.
 Actual dimensions may vary.

Approvals

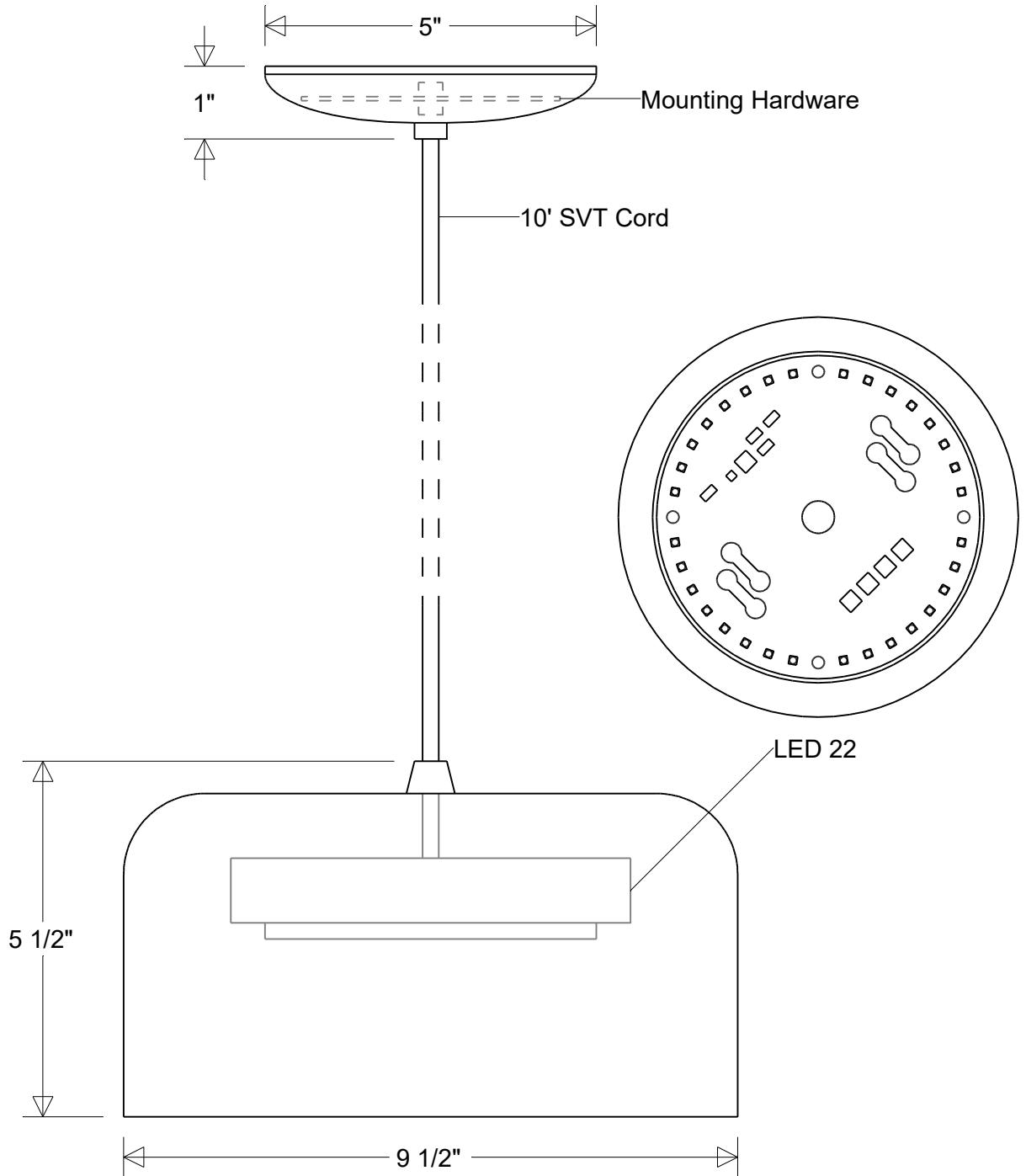


Primelite Manufacturing Corp.

407 S Main St, Freeport, NY 11520
 Phone: (516) 868-4411 | Fax: (516) 868-4609
 sales@primelite-mfg.com | www.primelite-mfg.com

PROUDLY MADE IN THE USA SINCE 1962!
"SPECIALTIES ARE OUR SPECIALTY!"

Job Info



#11037/10 LED 22

9 1/2" Dia | 5 1/2" H
 10' SVT Cord: Black / White

Lamp: 22 W LED
 CCT: 3K or 4K
 125W Inc Equivalent
 80 CRI
 120V
 Electronic Dimming

Finish:
 29 Oven Baked
 Powder Coated Paints
Material:
 Aluminum

Drawn:
 CB
 04/2026

Scale:
 1 / 2.5

Note:
 All dimensions are nominal.
 Actual dimensions may vary.

Approvals
