

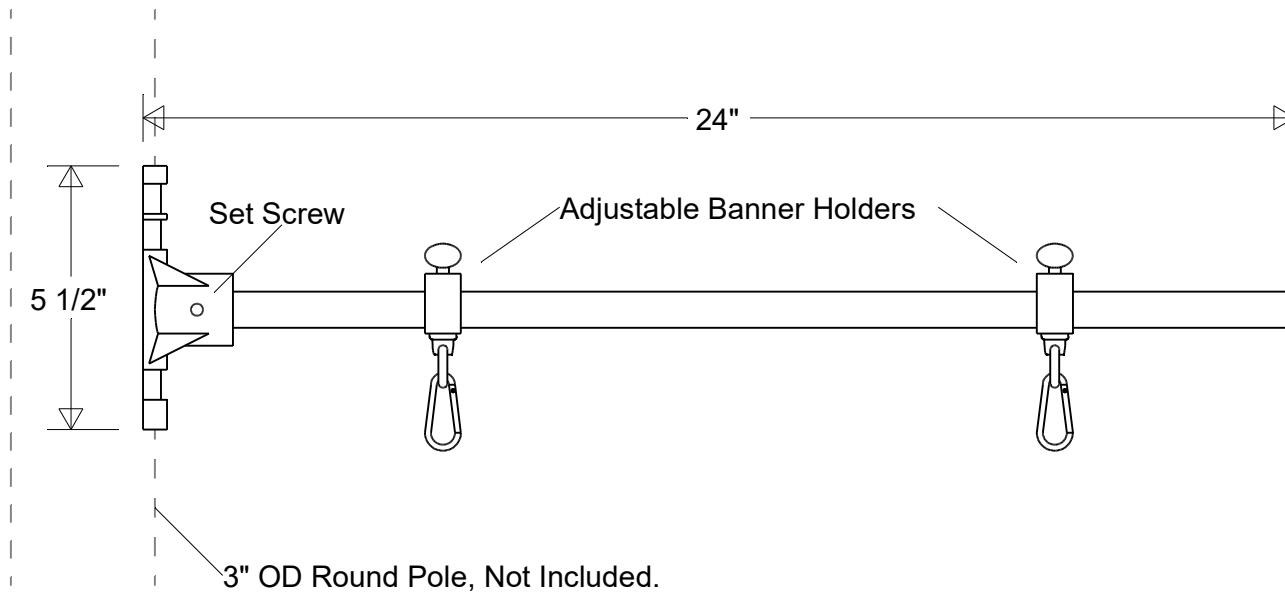


Primelite Manufacturing Corp.

407 S Main St, Freeport, NY 11520
Phone: (516) 868-4411 | Fax: (516) 868-4609
sales@primelite-mfg.com | www.primelite-mfg.com

PROUDLY MADE IN THE USA SINCE 1962!
"SPECIALTIES ARE OUR SPECIALTY!"

Job Info



#100-24 PMA

24" Ext | 1/2" IPS Stem | 3" Post Fitter
Includes 2 Adjustable Banner Holders

Lamp: N/A	Finish: 29 Oven Baked Powder Coated Paints	Drawn: CB 03/2025	Scale: 1/4	Approvals	
Voltage: N/A	Material: Aluminum	Note: All dimensions are nominal. Actual dimensions may vary.			