

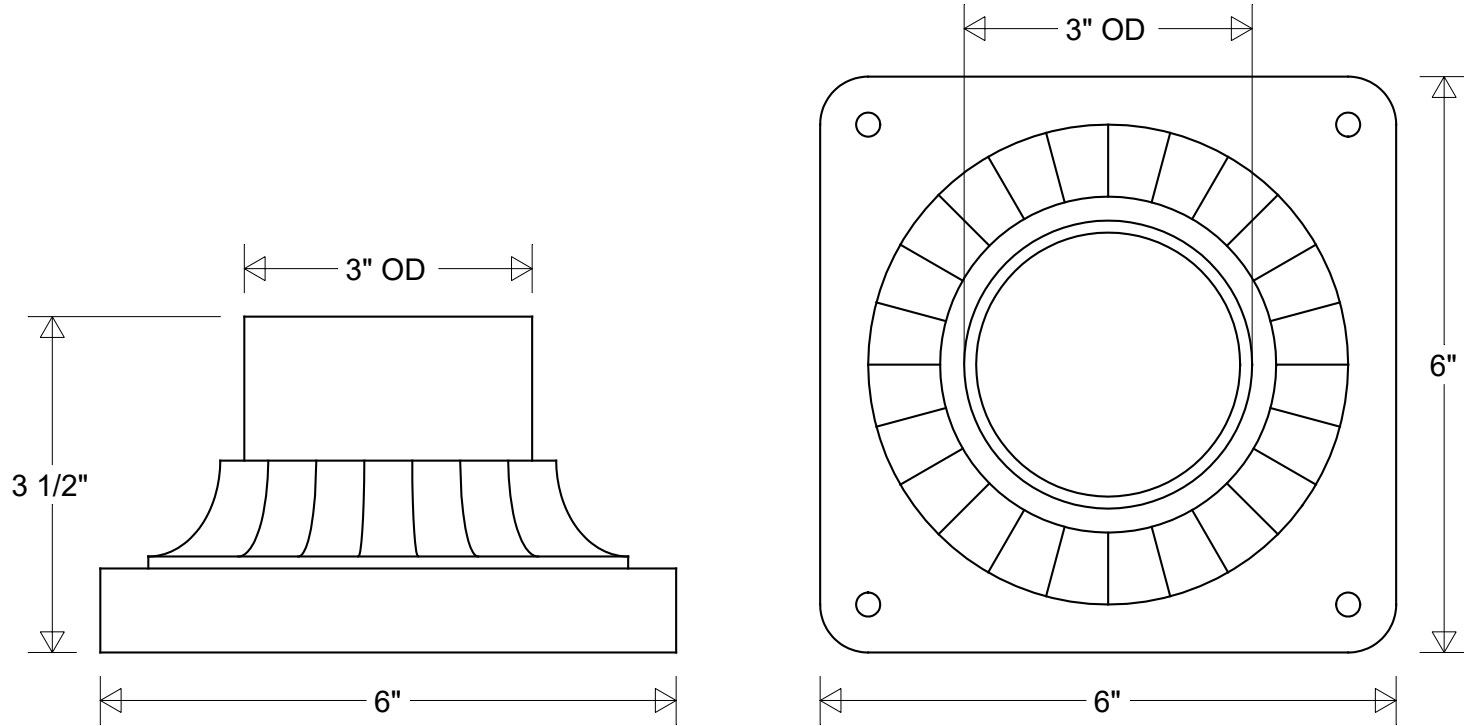


Primelite Manufacturing Corp

407 S Main St, Freeport, NY 11520

Phone: 516-868-4411 | Fax: 516-868-4609
 sales@primelite-mfg.com | www.primelite-mfg.com

PART # #1	LAMP N/A	VOLTAGE N/A	COLOR Powder Coated Paint
JOB NAME			TYPE Pier Mount



Lamp: N/A	Initials	Date	#1											
	Drawn	CB						01/2024						
	Checked			6" W 3 1/2" H For 3" ID Fixtures										
	ENG Appr.													
Construction: Aluminum	MFR Appr.		Size A	Drawing No. 0001	Rev A	Revisions								
Unless Otherwise Specified: Dimensions in Inches	Weight:		Scale	CAD File	Sheet 1 of 1	Zone	Rev	Description	Date	Appr				