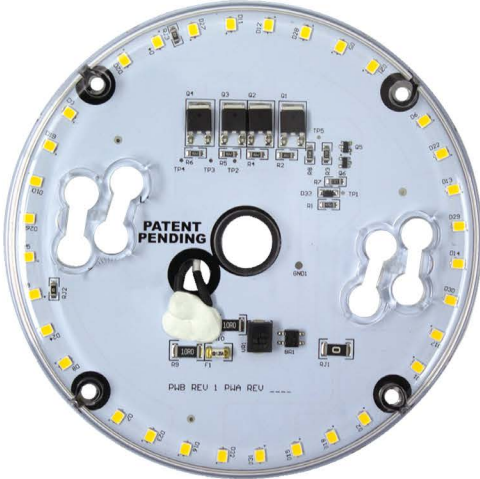




PHOTOMETRICS

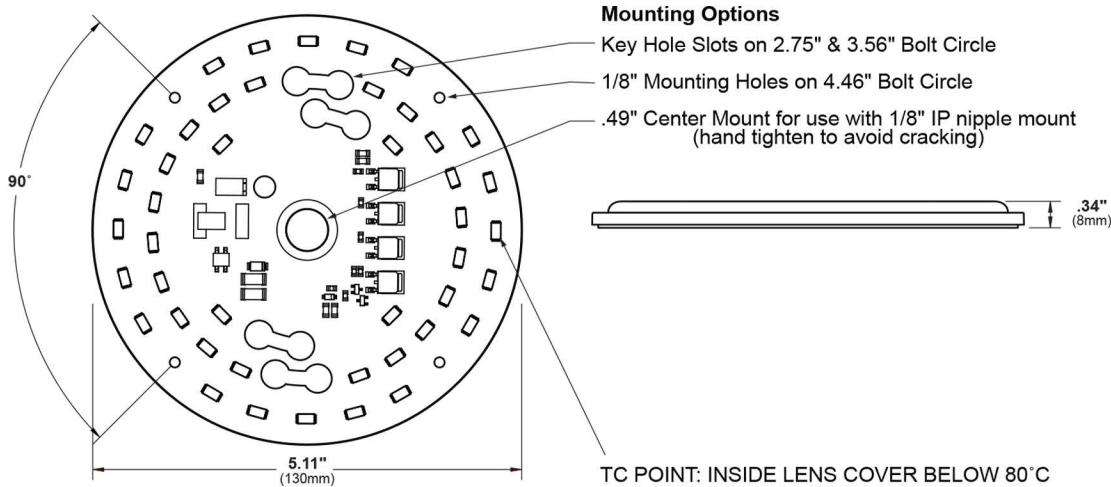
LED 12



- AC Driver-On-Board Technology
- Multiple Mounting Options
- Data per NVLAP Accredited Laboratory
- Electronic Dimming (See page 4)
- Energy Star CSD
- 5 Year Limited Warranty

Specifications:

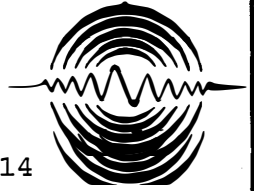
- 12W LED Array
- Input Voltage: 120 VAC; 50/60 HZ
- Available in 3000K (1470 Lumens) or 4000K (1500 Lumens)
- 80 CRI
- High Power Factor > 0.95
- Estimated 50,000 hrs L70
- Optical grade polycarbonate lens
- Multiple mounting options for easy install
- Surge Protection
- 18" 18 AWG Leads
- UL file: E464765 Certified under UL Standard 8750
- FCC compliance Class B



RoHS compliant



NOTE: SOME PHOTOMETRIC DATA MAY BE SCALED BASED ON TESTS OF SIMILAR (BUT NOT IDENTICAL) LUMINAIRES.

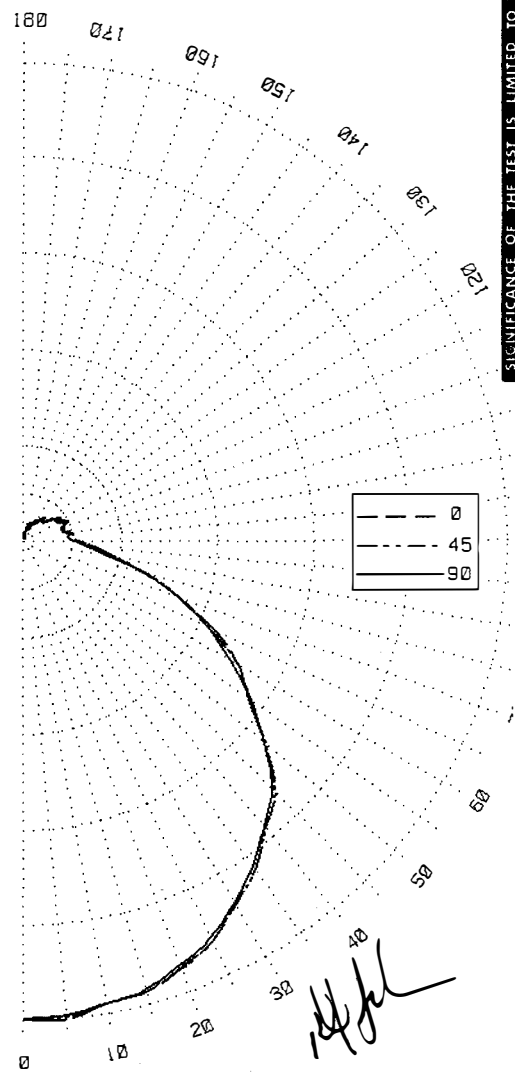


BALLABS CERTIFIED TEST REPORT NO.: 18268.0 DATE 07/18/14
 PREPARED FOR: PRIMELITE MFG CO - FREEPORT, NY
 DESCRIPTION: 1-(44LED) 12W 14"DIA CEILING MOUNT CLOUD LUMINAIRE
 WHITE REFLECTOR w/CLEAR ACRYLIC LENS OVER LEDS

WHITE ACRYLIC DRUM DIFFUSER
 CATALOG NBR: 560/14 LED 12
 LAMP TYPE 1200LM-SAM5630-VER1-RATED LUMENS NA. NBR. LAMPS:- 1

CANDLEPOWER DISTRIBUTION

VERT ANG	HORIZONTAL ANGLE					ZONAL LUMENS
	0	22.5	45	67.5	90	
0	232.	232.	232.	232.	232.	232.
5	233.	232.	232.	230.	231.	22.1
10	228.	230.	228.	228.	228.	228.
15	227.	225.	227.	225.	226.	64.0
20	220.	220.	222.	222.	219.	219.
25	215.	215.	215.	214.	213.	99.3
30	203.	203.	204.	203.	203.	203.
35	192.	194.	194.	194.	192.	121.8
40	180.	183.	182.	182.	180.	180.
45	170.	170.	172.	169.	170.	131.6
50	151.	151.	152.	150.	151.	151.
55	133.	135.	133.	133.	134.	119.8
60	120.	120.	120.	119.	116.	116.
65	103.	100.	99.	100.	98.	99.5
70	80.	81.	81.	82.	79.	79.
75	63.	64.	63.	64.	62.	66.7
80	45.	45.	45.	43.	42.	42.
85	33.	33.	36.	32.	32.	36.7
90	26.	27.	27.	25.	26.	26.
95	24.	23.	24.	23.	22.	25.1
100	24.	25.	24.	23.	23.	23.
105	19.	22.	21.	22.	19.	22.0
110	19.	23.	21.	21.	21.	21.
115	24.	23.	22.	24.	22.	22.5
120	21.	21.	21.	19.	18.	18.
125	21.	19.	18.	18.	18.	17.0
130	16.	17.	16.	15.	17.	17.
135	14.	14.	15.	13.	13.	10.8
140	15.	15.	15.	15.	14.	14.
145	12.	14.	12.	12.	13.	7.9
150	11.	12.	12.	11.	10.	10.
155	9.	5.	8.	6.	6.	3.1
160	10.	8.	8.	9.	9.	9.
165	9.	6.	6.	5.	6.	1.8
170	2.	3.	2.	2.	2.	2.
175	2.	2.	4.	1.	2.	.2
180	2.	2.	2.	2.	2.	2.



NVLAP LAB CODE 200921-0

LUMEN SUMMARY

ZONE	LUMENS	%LAMP	%FIXT	ZONE	LUMENS	%LAMP	%FIXT
0- 30	185.	NA.	21.3	90-120	70.	NA.	8.0
0- 40	307.	NA.	35.2	90-130	87.	NA.	9.9
0- 60	559.	NA.	64.1	90-150	105.	NA.	12.1
0- 90	762.	NA.	87.3	90-180	110.	NA.	12.7
TOTAL LUMINAIRE =				0-180	872.	NA.	100.0

IES SPACING CRITERIA: END= 1.3 DIAGONAL = 1.3 CROSS= 1.3

SIGNIFICANCE OF THE TEST IS LIMITED TO THE DEGREE THAT THE TESTED SAMPLE IS REPRESENTATIVE. OTHER FACTORS AFFECT FIELD PERFORMANCE.

BALLABS CERTIFIED TEST REPORT NO.: 18268.0 DATE 07/18/14
 PREPARED FOR: PRIMELITE MFG CO - FREEPORT, NY
 DESCRIPTION: 1-(44LED) 12W 14"DIA CEILING MOUNT CLOUD LUMINAIRE
 WHITE REFLECTOR w/CLEAR ACRYLIC LENS OVER LEDS
 WHITE ACRYLIC DRUM DIFFUSER
 CATALOG NBR: 560/14 LED 12
 LAMP TYPE 1200LM-SAM5630-VER1-RATED LUMENS NA. NBR. LAMPS:- 1

VERT ANGLE	LUMINANCES-CD/SQ-M HORIZONTAL ANGLE		
	0	45	90
45	3883.	3193.	3153.
55	3750.	2819.	2841.
65	3931.	2544.	2516.
75	3919.	2103.	2066.
85	6220.	1816.	1651.

MAXIMUM BRIGHTNESSES NOT MEASURED

ELECTRICAL CHARACTERISTICS 120.0V .1367A 15.939W

LUMINOUS EFFICACY (LUMENS / WATTS) = 54.7

TESTED IN ACCORDANCE WITH CURRENT IES STANDARDS
 UTILIZING ABSOLUTE PHOTOMETRY PER LM-79-08

