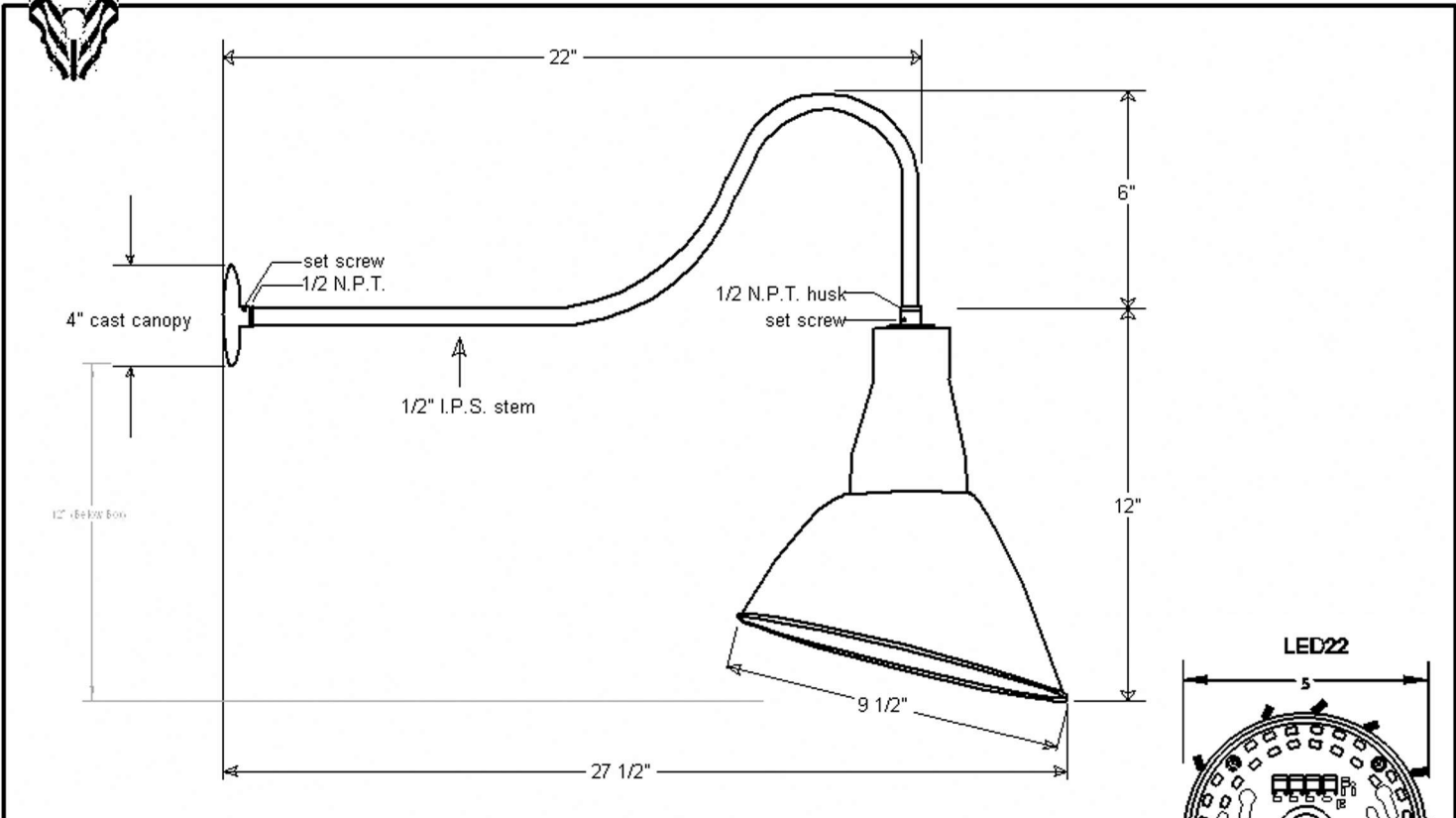




Primelite Manufacturing Corp

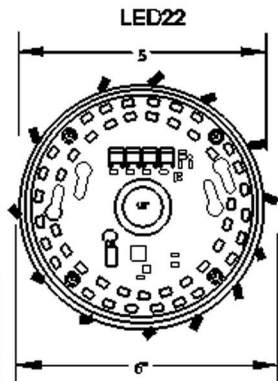
407 C Main St. Freeport, NY 11520
 Phone: 516-868-4111 Fax: 516-868-4009
 Website: www.primelite.com

PART #	LAMP	VOLTAGE	COLOR
JOB NAME			TYPE



Unless Otherwise Specified: Dimensions: In Inches Tolerance: Fractional ± Angular: Mach ± Bend ± Two Place Decimal ± Three Place Decimal ±	Name	Date	Gooseneck #20/850		
	Drawn	11/17/17			
	Checked		9 1/2" Shade 22" Arm Below Box 12"		
	ENG Appr.		Code: A Drawing No: 0001 Rev: A MFR Appr. QA		
Construction: Aluminum	Comments: CAD Generated Drawing Do Not Manually Update		Scale	CAD File	Sheet 1 of 1

Zone	Rev	Description	Date	Approval



LED22



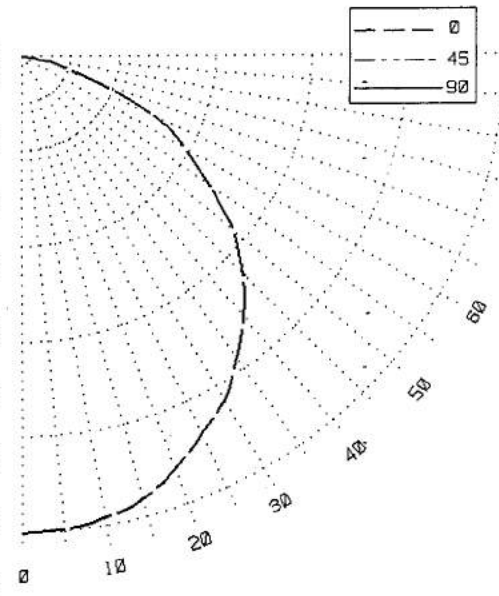
GOOSENECK #20/850 LED22



Primelite
 MANUFACTURING CORP
 "PROUDLY MADE IN THE USA"

CANDLEPOWER DISTRIBUTION

VERT ANG	AVERAGE CANDELA	ZONAL LUMENS
0	648.	
5	645.	61.6
10	637.	
15	624.	176.8
20	599.	
25	569.	263.5
30	542.	
35	502.	315.5
40	464.	
45	420.	325.6
50	371.	
55	308.	276.6
60	253.	
65	201.	199.2
70	116.	
75	55.	58.5
80	25.	
85	10.	11.2
90	2.	



SIGNIFICANCE OF THE TEST IS LIMITED TO THE DEGREE THAT THE TESTED SAMPLE IS REPRESENTATIVE. OTHER FACTORS AFFECT FIELD PERFORMANCE.

LUMEN SUMMARY

ZONE	LUMENS	%LAMP	%FIXT	ZONE	LUMENS	%LAMP	%FIXT
0- 30	502.	NA.	29.7	90-120	0.	NA.	.0
0- 40	817.	NA.	48.4	90-130	0.	NA.	.0
0- 60	1420.	NA.	84.1	90-150	0.	NA.	.0
0- 90	1688.	NA.	100.0	90-180	0.	NA.	.0
TOTAL LUMINAIRE =				0-180	1688.	NA.	100.0

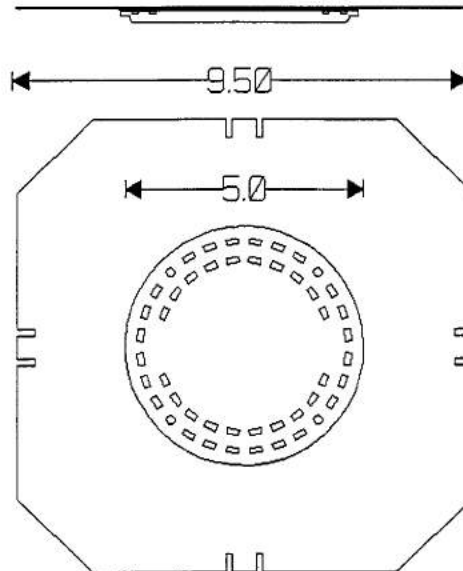
IES SPACING CRITERIA: ADJACENT= 1.2 DIAGONAL= .9

THIS BALLABS REPORT WITH THE USE OF THE NVLAP LOGO SHALL NOT BE USED BY THIS CLIENT TO CLAIM PRODUCT CERTIFICATION, APPROVAL, OR ENDORSEMENT BY NVLAP, NIST, OR ANY AGENCY OF THE FEDERAL GOVERNMENT.

ELECTRICAL CHARACTERISTICS 120.0V .1717A 20.0363W

LUMINOUS EFFICACY (LUMENS / WATTS) = 84.2

TESTED IN ACCORDANCE WITH CURRENT IES STANDARDS
UTILIZING ABSOLUTE PHOTOMETRY PER LM-79-08



LUMINANCES-CD/SQ-M
HORIZONTAL ANGLE
0

VERT
ANGLE

45	46576.
55	42106.
65	37190.
75	16750.
85	9194.

MAXIMUM BRIGHTNESSES NOT MEASURED

ZONAL CAVITY COEFFICIENTS OF UTILIZATION

EFFECTIVE FLOOR CAVITY REFLECTANCE=.20

CEILING	.80				.70				.50				.30				.10				.00			
WALL	.70	.50	.30	.10	.70	.50	.30	.10	.50	.30	.10	.50	.30	.10	.50	.30	.10	.50	.30	.10	.00	.00	.00	.00
RCR																								
0	1.19	1.19	1.19	1.19	1.16	1.16	1.16	1.16	1.11	1.11	1.11	1.06	1.06	1.06	1.02	1.02	1.02	1.02	1.02	1.02	1.00	1.00	1.00	1.00
1	1.11	1.07	1.03	1.00	1.08	1.04	1.01	.98	1.00	.97	.95	.96	.94	.92	.93	.91	.89	.89	.87	.87	.87	.87	.87	.87
2	1.02	.95	.89	.84	1.00	.93	.88	.83	.90	.85	.81	.86	.83	.79	.83	.80	.78	.78	.76	.76	.76	.76	.76	.76
3	.94	.85	.77	.72	.92	.83	.76	.71	.80	.74	.70	.78	.73	.69	.75	.71	.67	.67	.65	.65	.65	.65	.65	.65
4	.86	.75	.67	.61	.84	.74	.67	.61	.72	.65	.60	.69	.64	.59	.67	.63	.59	.59	.57	.57	.57	.57	.57	.57
5	.79	.67	.58	.52	.77	.66	.58	.52	.64	.57	.51	.62	.56	.51	.60	.55	.50	.50	.48	.48	.48	.48	.48	.48
6	.73	.60	.51	.45	.71	.59	.51	.45	.57	.50	.45	.56	.49	.44	.54	.48	.44	.44	.42	.42	.42	.42	.42	.42
7	.67	.54	.45	.39	.65	.53	.45	.39	.51	.44	.39	.50	.44	.39	.49	.43	.38	.38	.37	.37	.37	.37	.37	.37
8	.62	.48	.40	.34	.60	.48	.40	.34	.46	.39	.34	.45	.38	.34	.44	.38	.33	.33	.32	.32	.32	.32	.32	.32
9	.57	.43	.35	.30	.55	.43	.35	.29	.41	.34	.29	.40	.34	.29	.39	.33	.29	.29	.27	.27	.27	.27	.27	.27
10	.53	.39	.31	.26	.51	.39	.31	.26	.38	.31	.26	.37	.30	.26	.36	.30	.26	.26	.24	.24	.24	.24	.24	.24

TESTED IN ACCORDANCE WITH CURRENT IES PROCEDURES



BALLABS CERTIFIED TEST REPORT NO.: 19140.0

DATE 11/04/15

DESCRIPTION: 22 LED 2.5"DIA EOS LED LIGHT ENGINE ARRAY w/CLEAR ACRYLIC LENS OVER LEDS ON WHITE 4"SQ FLAT ALUMINUM PLATE
120 VAC INPUT

CATALOG NBR: L08-AC120R-C

LAMP TYPE : PCB-799 REV 8.0 800lm 4000K

ELECTRICAL CHARACTERISTICS 120.0V .1110A 12.969W

LUMINOUS EFFICACY (LUMENS / WATTS) = 71.2

TESTED IN ACCORDANCE WITH CURRENT IES STANDARDS
UTILIZING ABSOLUTE PHOTOMETRY PER LM-79-08

