



LUMINAIRE TESTING LABORATORY, INC.

SUSTAINING
MEMBER
of the
IESNA

905 Harrison Street · Allentown, PA 18103 · 610-770-1044 · Fax 610-770-8912 · www.LuminaireTesting.com

LTL NUMBER: 10606

DATE: 11-09-2006

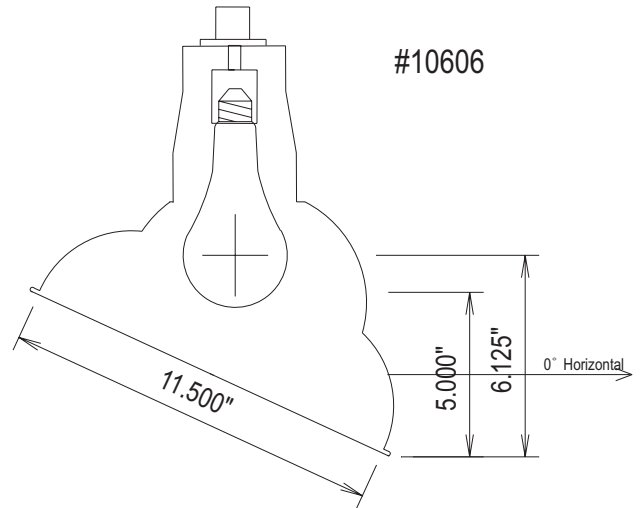
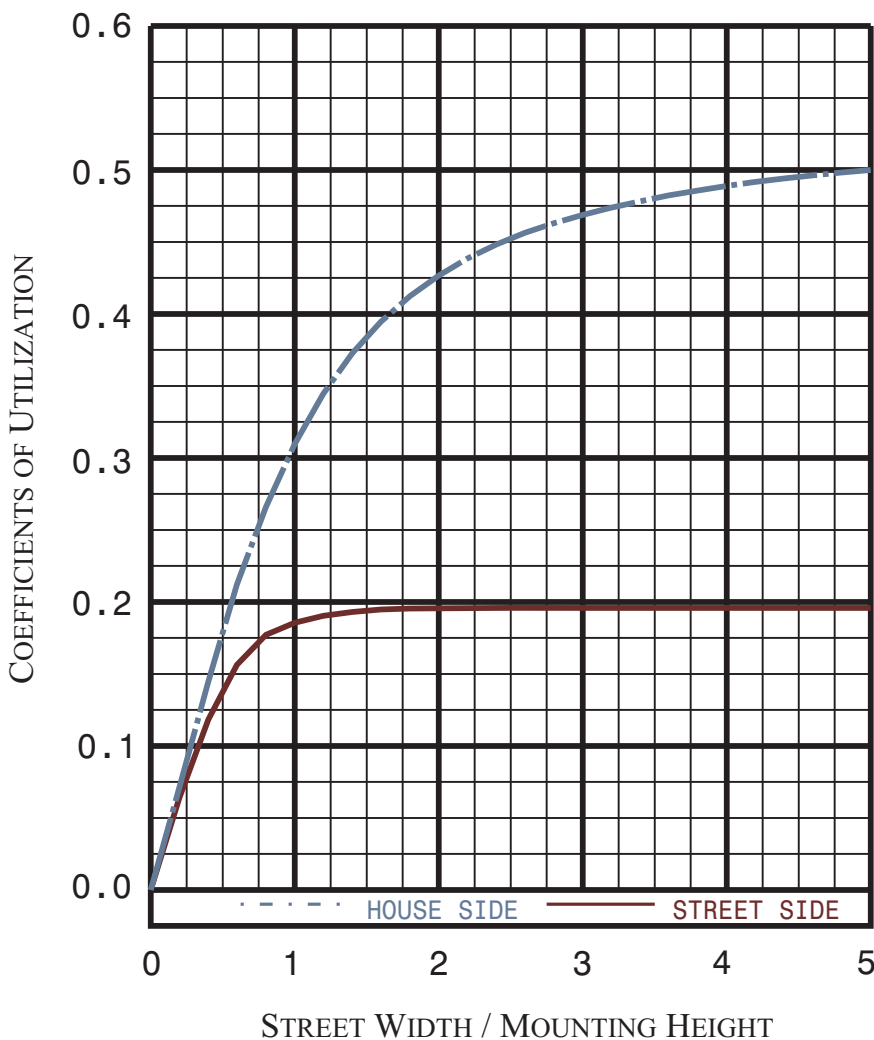
PREPARED FOR: PRIMELITE MFG

CATALOG NUMBER: 19-850

LUMINAIRE: SPUN ALUMINUM HOUSING, SPUN WHITE ENAMEL ALUMINUM REFLECTOR,
NO ENCLOSURE.

LAMP: ONE FROSTED VBU 300 WATT PS30 INCANDESCENT LAMP RATED AT 6300
LUMENS.

LAMP CATALOG NUMBER: GE 300W



IES CLASSIFICATION: **AREA LIGHT**
CUTOFF CLASSIFICATION: **NON-CUTOFF**

FLUX DISTRIBUTION

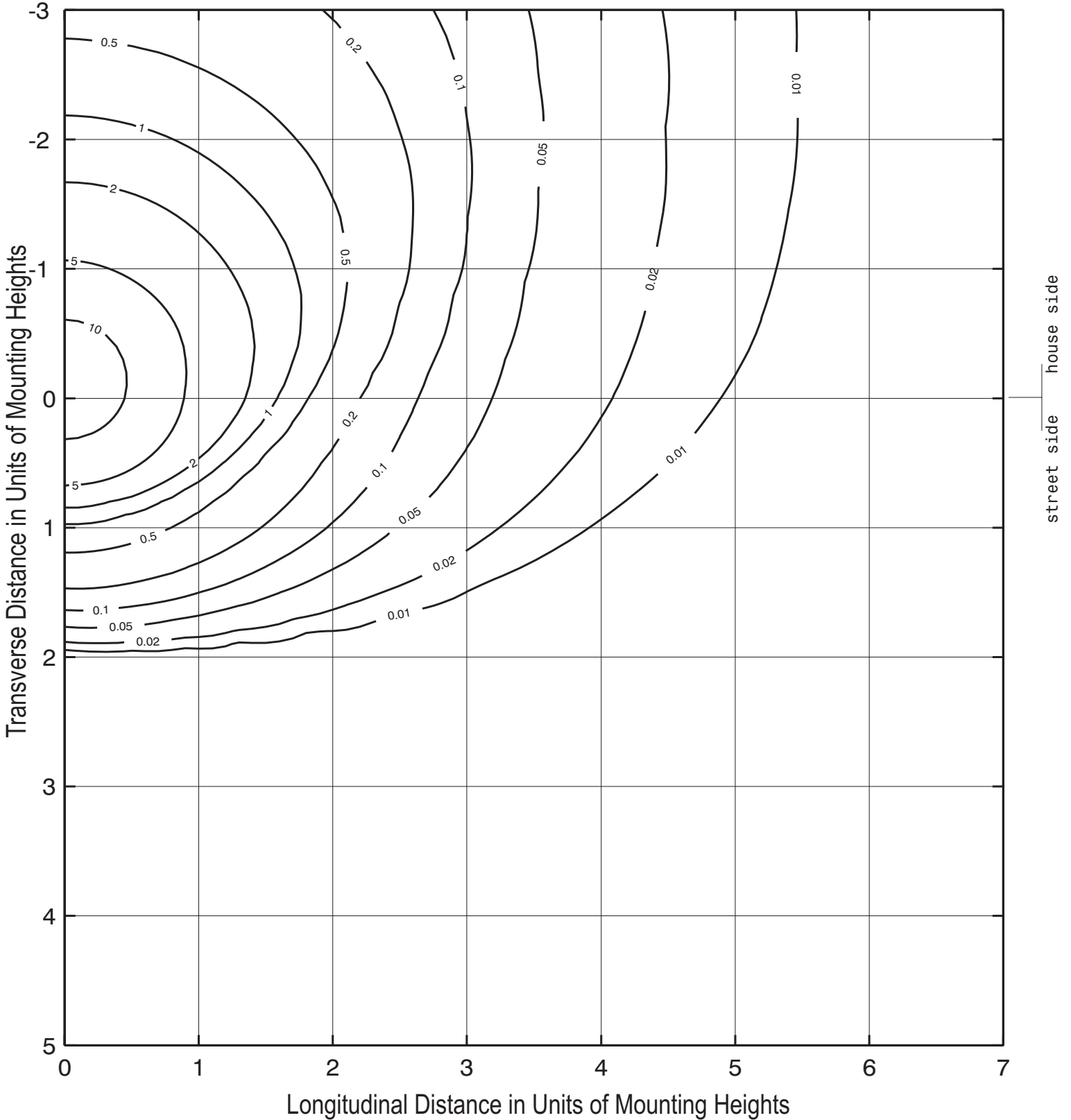
LUMENS	DOWNWARD	UPWARD	TOTALS
HOUSE SIDE	3314 (52.6%)	102 (1.6%)	3416 (54.2%)
STREET SIDE	1229 (19.5%)	0 (0.0%)	1229 (19.5%)
TOTALS	4543 (72.1%)	102 (1.6%)	4646 (73.7%)

Approved By: MG

THIS REPORT BASED ON LM-31 AND OTHER PERTINENT IESNA PROCEDURES.



ISOFOOTCANDLE LINES OF HORIZONTAL ILLUMINATION VALUES BASED ON 10.00 FOOT MOUNTING HEIGHT





CANDELA DISTRIBUTION

Table with 12 columns (0-90) and 21 rows (180-0) showing Candela Distribution values.



CANDELA DISTRIBUTION

Table with 11 columns (95, 105, 115, 125, 135, 145, 155, 165, 175, 180) and 19 rows (180, 175, 165, 155, 145, 135, 125, 115, 105, 95, 90, 87.5, 85, 82.5, 80, 77.5, 75, 72.5, 70, 67.5, 65, 62.5, 60, 57.5, 55, 52.5, 50, 47.5, 45, 40, 35, 30, 25, 20, 18, 15, 10, 5, 0). The value 1838 is highlighted in red in the row for 18 and column for 180.



MAXIMUM PLANE AND CONE PLOTS OF CANDELA

