



LUMINAIRE TESTING LABORATORY, INC.

SUSTAINING
MEMBER
of the
IESNA

905 Harrison Street · Allentown, PA 18103 · 610-770-1044 · Fax 610-770-8912 · www.LuminaireTesting.com

LTL NUMBER: 14175

DATE: 11-13-2008

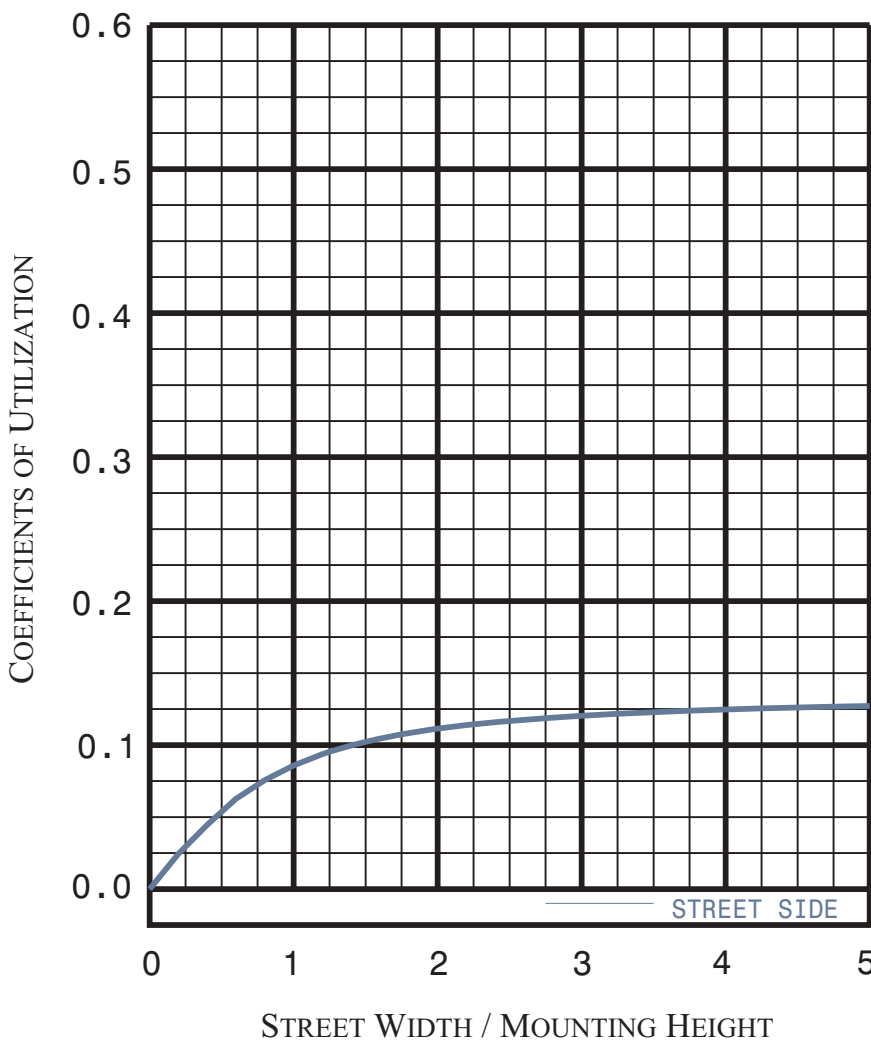
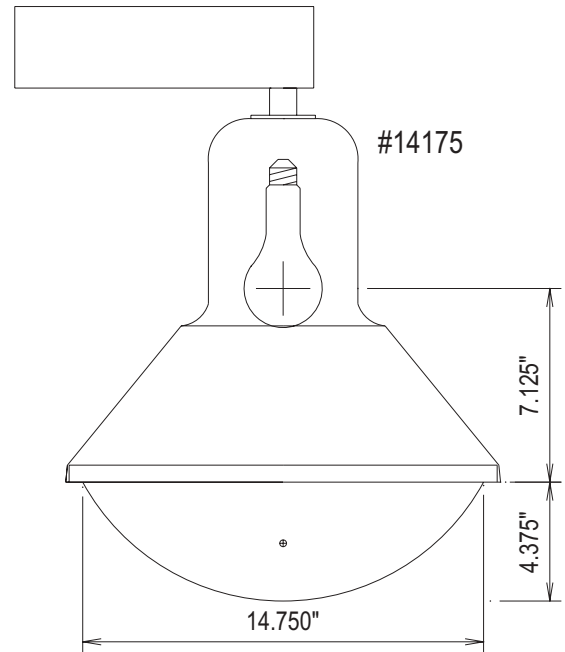
PREPARED FOR: PRIMELITE MANUFACTURING CORP.

CATALOG NUMBER: 1373/16

LUMINAIRE: CAST ALUMINUM HOUSING, SPUN WHITE ENAMEL ALUMINUM REFLECTOR,
TRANSLUCENT WHITE PLASTIC ENCLOSURE.

LAMP: ONE VBU FROSTED 200 WATT A23 INCANDESCENT LAMP RATED AT
3800 LUMENS.

LAMP CATALOG NUMBER: PHILIPS 200W



IES CLASSIFICATION: **TYPE V**
CUTOFF CLASSIFICATION: **CUTOFF**

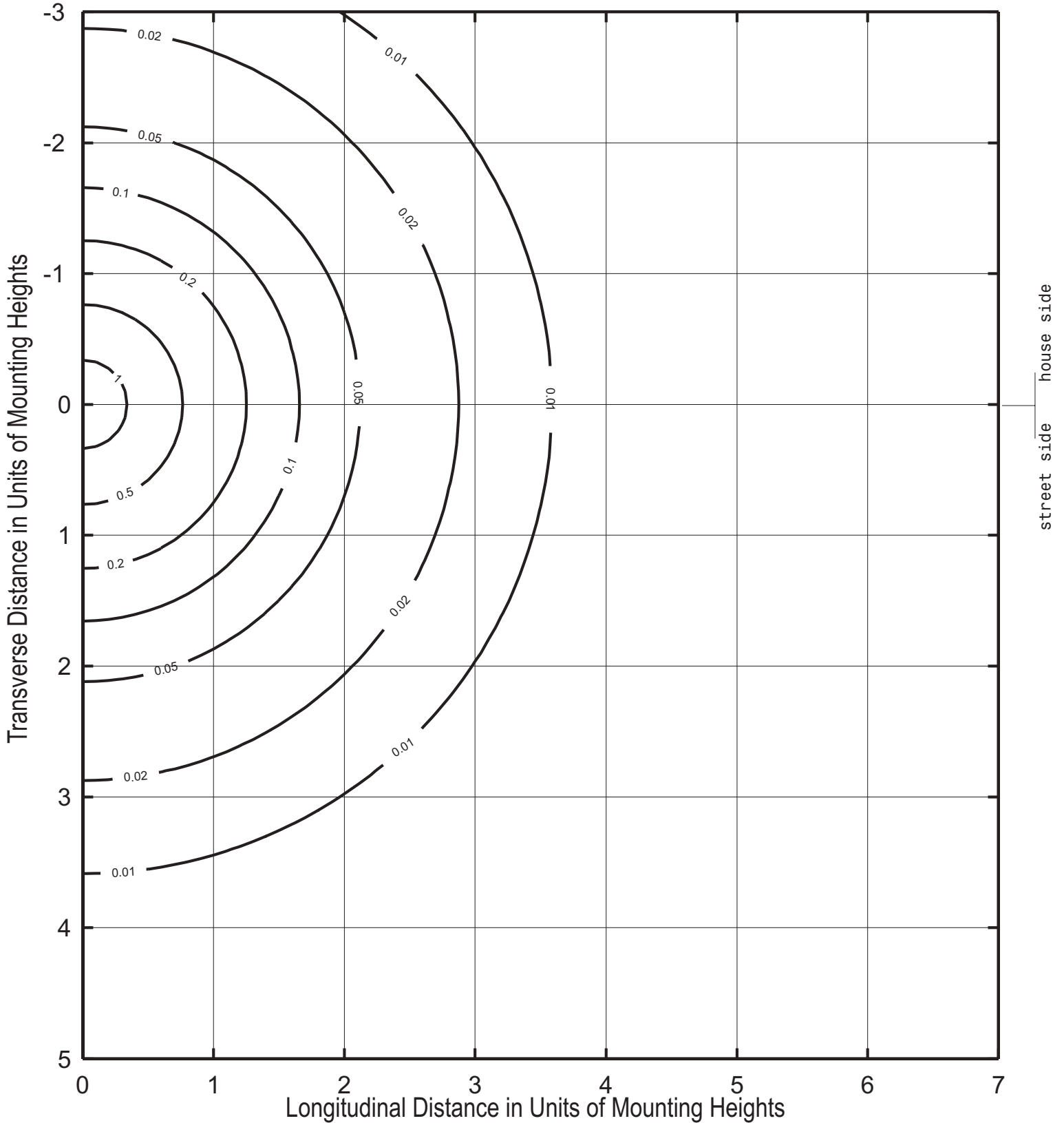
FLUX DISTRIBUTION

LUMENS	DOWNWARD	UPWARD	TOTALS
HOUSE SIDE	516.61 (13.6%)	62.87 (1.7%)	579.49 (15.2%)
STREET SIDE	516.61 (13.6%)	62.87 (1.7%)	579.49 (15.2%)
TOTALS	1033.23 (27.2%)	125.74 (3.3%)	1158.97 (30.5%)

Approved By: MG



ISOFOOTCANDLE LINES OF HORIZONTAL ILLUMINATION VALUES BASED ON 15.00 FOOT MOUNTING HEIGHT



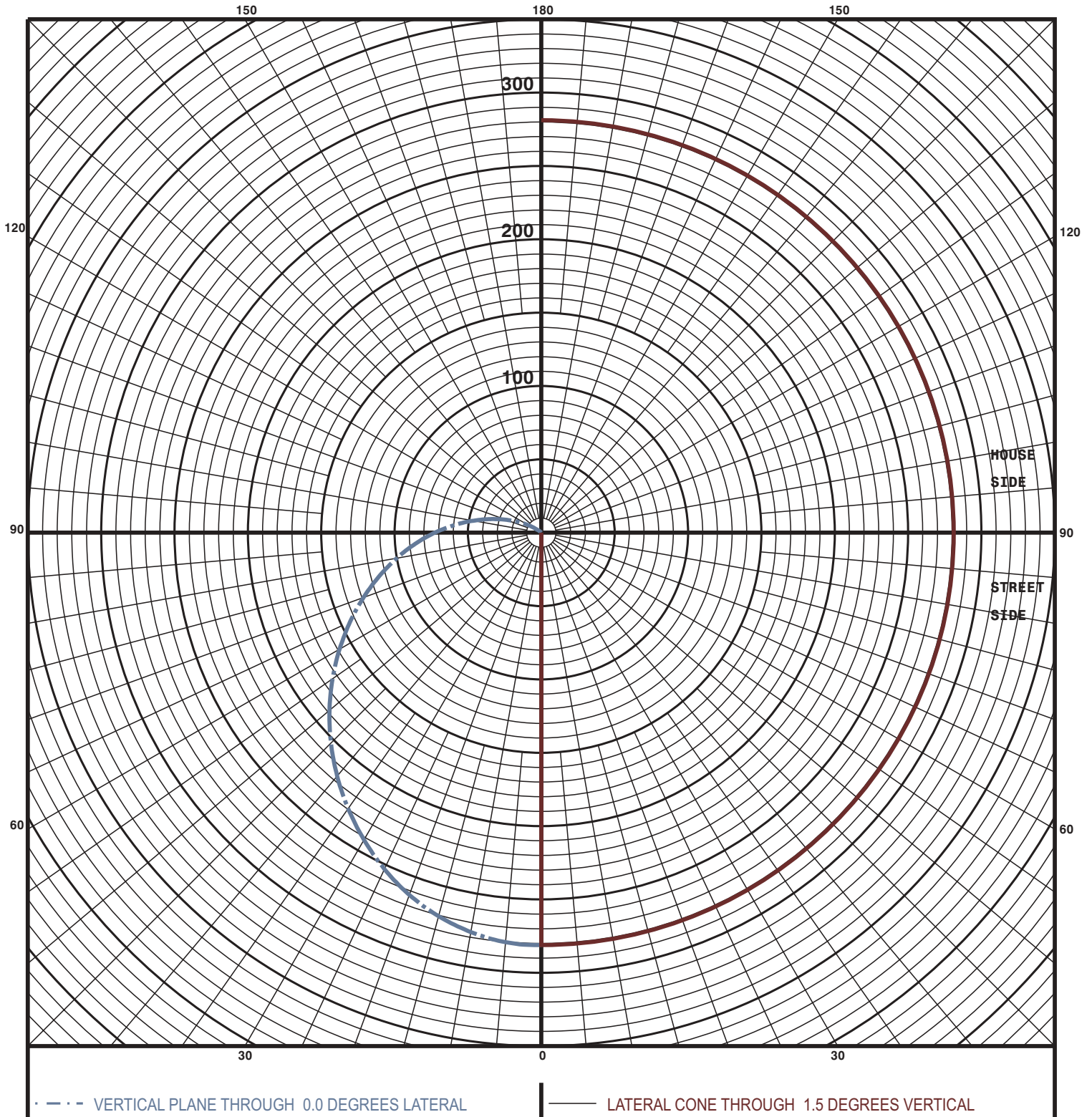


CANDELA DISTRIBUTION

Table with 12 columns (0, 5, 15, 25, 35, 45, 55, 65, 75, 85, 90) and 20 rows (180, 175, 165, 155, 145, 135, 125, 115, 105, 95, 90, 87.5, 85, 82.5, 80, 77.5, 75, 72.5, 70, 67.5, 65, 62.5, 60, 57.5, 55, 52.5, 50, 47.5, 45, 40, 35, 30, 25, 20, 15, 10, 5, 1.5, 0). Values increase from 0 to 281 in increments of 15.



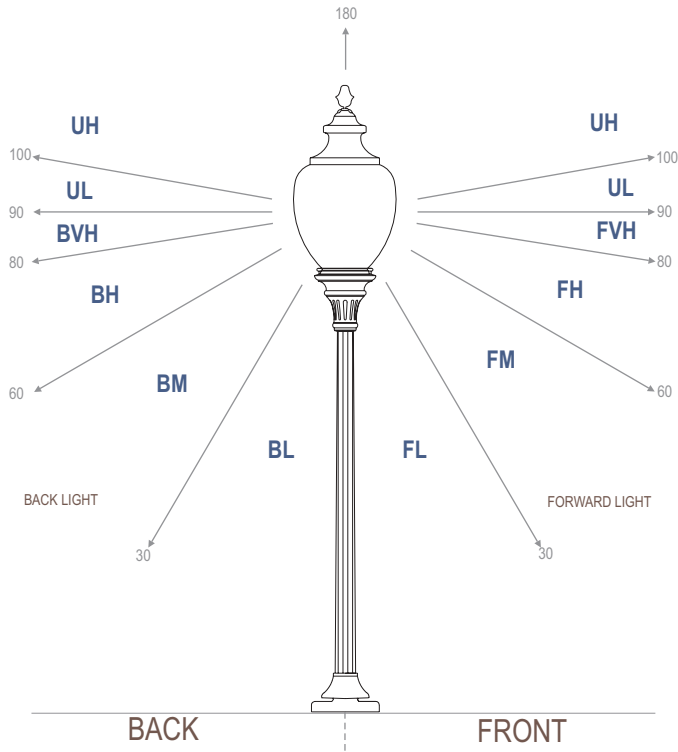
MAXIMUM PLANE AND CONE PLOTS OF CANDELA





FLUX DISTRIBUTION TABLE BASED ON THE IESNA LUMINAIRE CLASSIFICATION SYSTEM

FLUX



ZONE	LUMINAIRE LUMENS	% OF LAMP LUMENS
FORWARD LIGHT	517	13.6
FL (0° -30°)	110	2.9
FM (30° -60°)	228	6
FH (60° -80°)	132	3.5
FVH (80° -90°)	47	1.2

BACK LIGHT	517	13.6
BL (0° -30°)	110	2.9
BM (30° -60°)	228	6
BH (60° -80°)	132	3.5
BVH (80° -90°)	47	1.2

UPLIGHT	126	3.3
UL (90° -100°)	65	1.7
UH (100° -180°)	61	1.6

TRAPPED LIGHT	2641	69.5
---------------	------	------

