



**LUMINAIRE TESTING LABORATORY, INC.**

SUSTAINING  
MEMBER  
of the  
IESNA

905 Harrison Street · Allentown, PA 18103 · 610-770-1044 · Fax 610-770-8912 · www.LuminaireTesting.com

LTL NUMBER: 14176

DATE: 12-03-2008

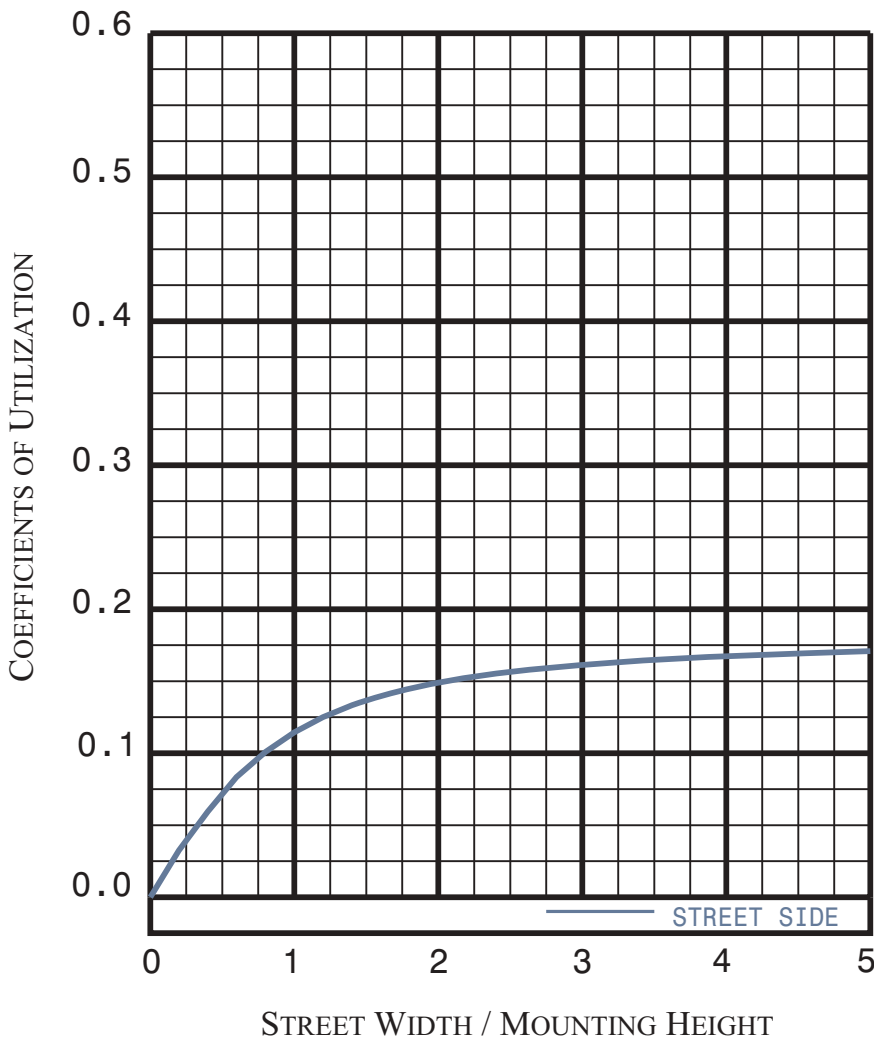
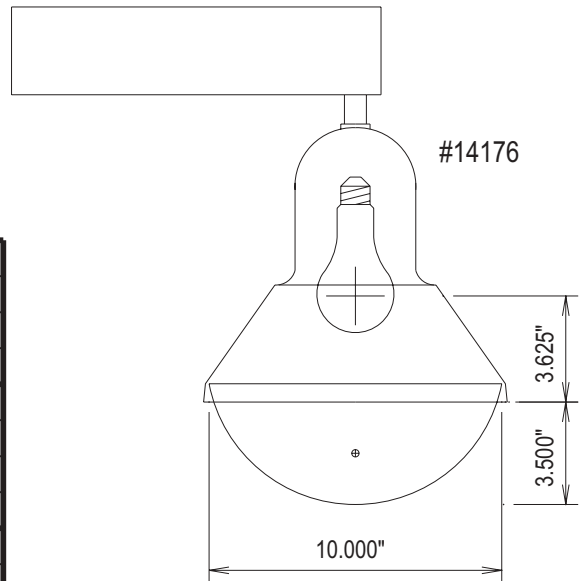
PREPARED FOR: PRIMELITE MANUFACTURING CORP.

CATALOG NUMBER: 1373/10

LUMINAIRE: CAST ALUMINUM HOUSING, SPUN WHITE ENAMEL ALUMINUM REFLECTOR,  
TRANSLUCENT WHITE PLASTIC ENCLOSURE.

LAMP: ONE FROSTED VBU 150 WATT A21 INCANDESCENT LAMP RATED AT  
2850 LUMENS.

LAMP CATALOG NUMBER: GE 150A-STANDARD-A21



IES CLASSIFICATION: **TYPE V**  
CUTOFF CLASSIFICATION: **SEMI-CUTOFF**

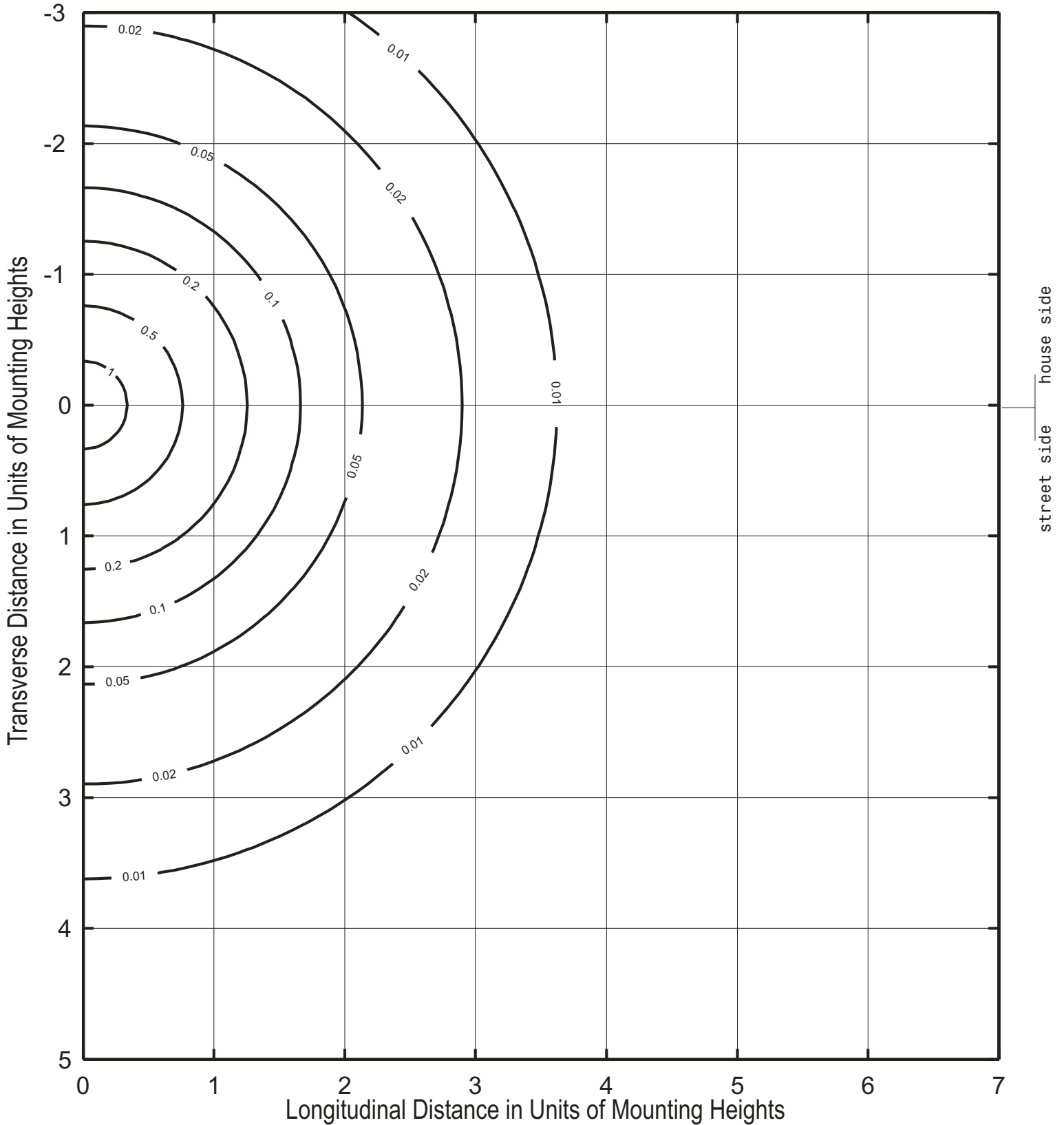
FLUX DISTRIBUTION

LUMENS	DOWNWARD	UPWARD	TOTALS
HOUSE SIDE	521.90 (18.3%)	79.96 ( 2.8%)	601.86 (21.1%)
STREET SIDE	521.90 (18.3%)	79.96 ( 2.8%)	601.86 (21.1%)
TOTALS	1043.80 (36.6%)	159.92 ( 5.6%)	1203.72 (42.2%)

Approved By: MG



ISOFOOTCANDLE LINES OF HORIZONTAL ILLUMINATION VALUES BASED ON 15.00 FOOT MOUNTING HEIGHT



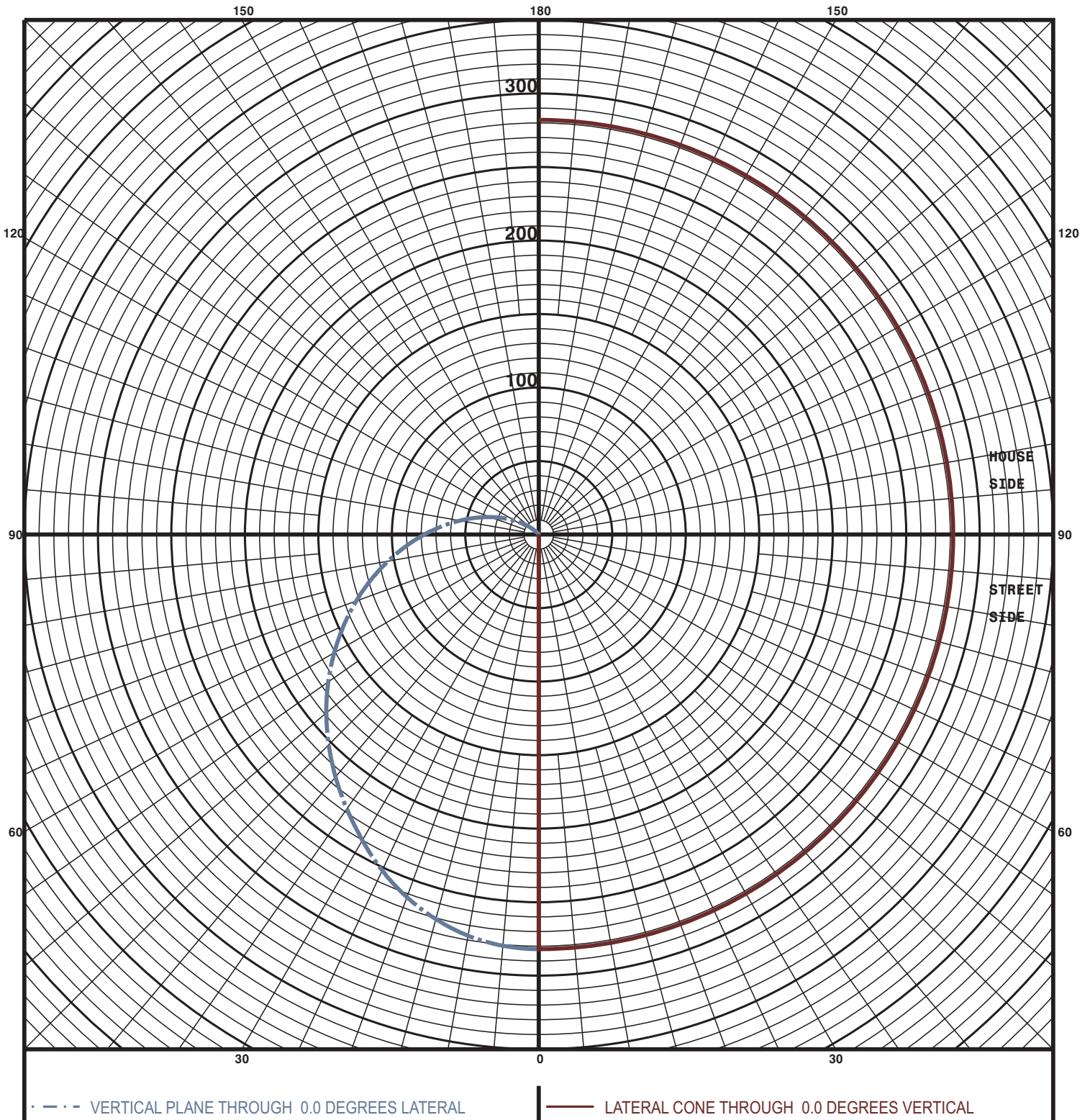


CANDELA DISTRIBUTION

Table with 12 columns (0-90) and 20 rows (180-0) showing Candela Distribution values. Values increase from 0 at 180 candelas to 282 at 0 candelas.



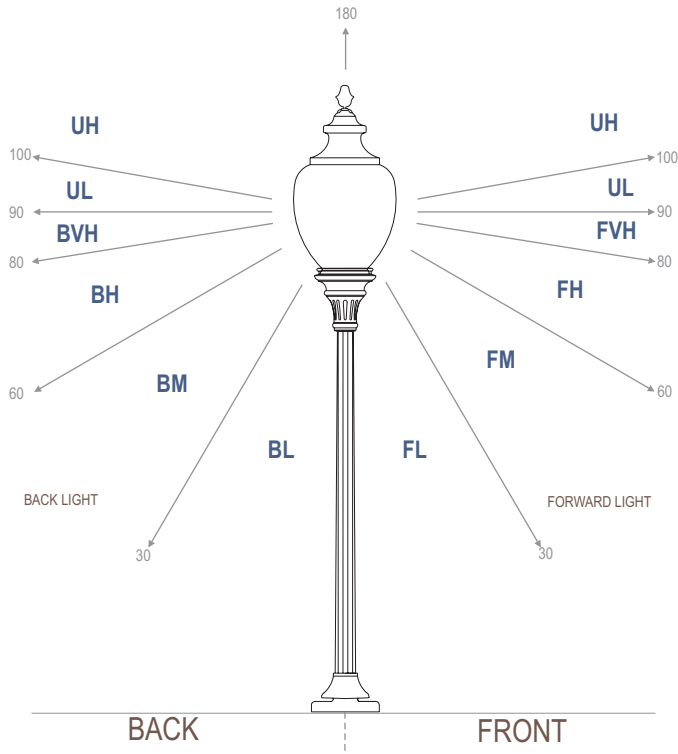
MAXIMUM PLANE AND CONE PLOTS OF CANDELA





FLUX DISTRIBUTION TABLE BASED ON THE IESNA LUMINAIRE CLASSIFICATION SYSTEM

FLUX



ZONE	LUMINAIRE LUMENS	% OF LAMP LUMENS
FORWARD LIGHT	522	18.3
FL ( 0° -30° )	110	3.8
FM (30° -60° )	228	8
FH (60° -80° )	135	4.7
FVH (80° -90° )	50	1.7

BACK LIGHT	522	18.3
BL ( 0° -30° )	110	3.8
BM (30° -60° )	228	8
BH (60° -80° )	135	4.7
BVH (80° -90° )	50	1.7

UPLIGHT	160	5.6
UL (90° -100° )	72	2.5
UH (100° -180° )	88	3.1

TRAPPED LIGHT	1646	57.8
---------------	------	------

