

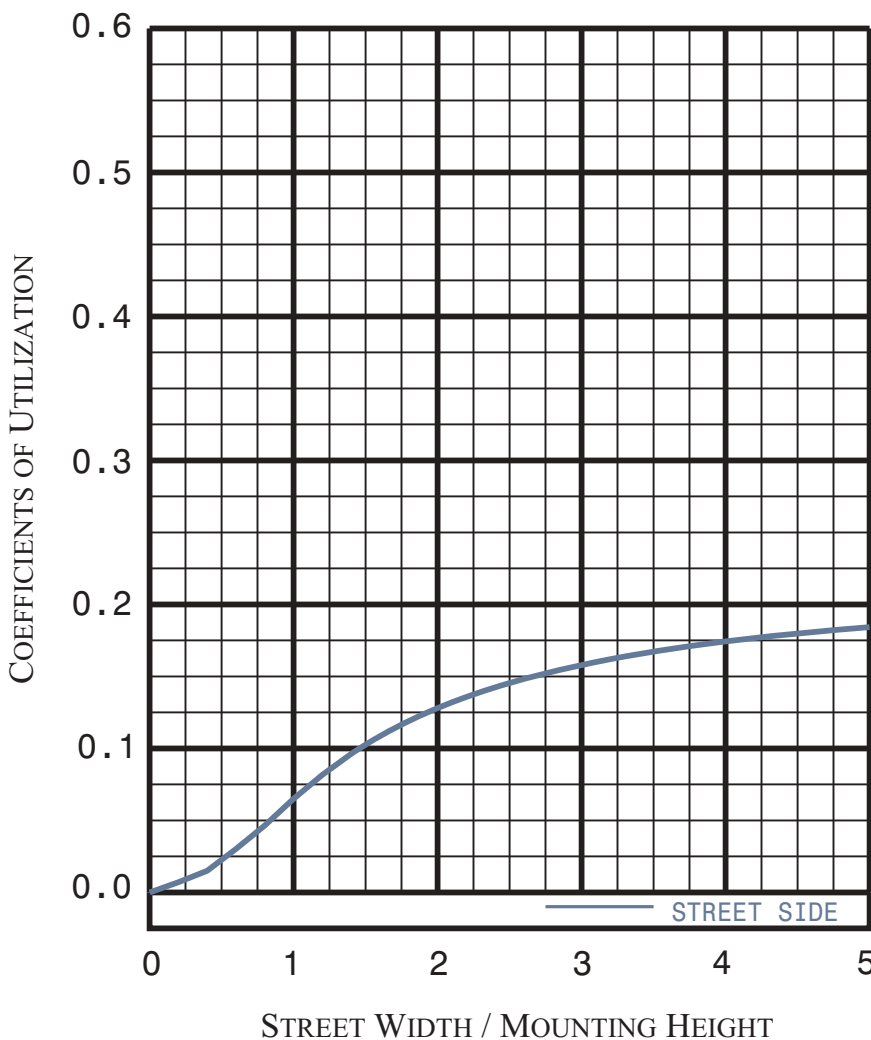
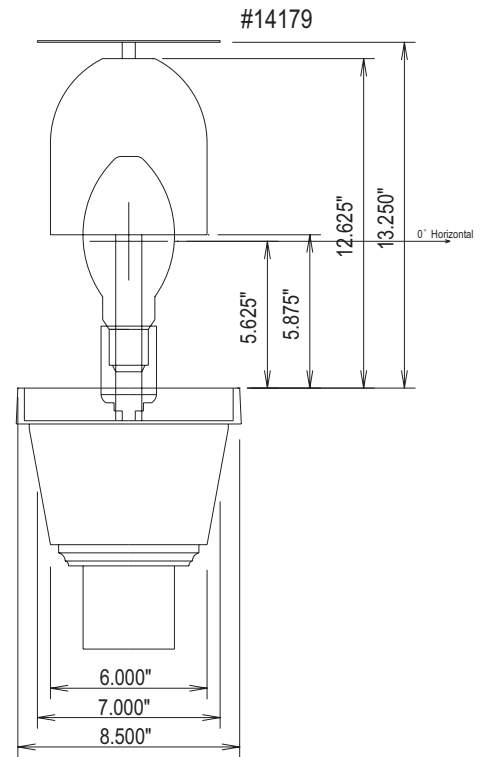


LUMINAIRE TESTING LABORATORY, INC.

SUSTAINING
MEMBER
of the
IESNA

905 Harrison Street · Allentown, PA 18103 · 610-770-1044 · Fax 610-770-8912 · www.LuminaireTesting.com

LTL NUMBER: 14179 DATE: 10-22-2008
 PREPARED FOR: PRIMELITE MANUFACTURING CORP.
 CATALOG NUMBER: 1225/DSS NO GLOBE
 LUMINAIRE: CAST ALUMINUM HOUSING, SPUN SILVER ENAMEL UPPER REFLECTOR,
 NO ENCLOSURE.
 LAMP: ONE CLEAR VBD M57 175 WATT ED28 METAL HALIDE LAMP RATED AT
 14,000 LUMENS.
 LAMP CATALOG NUMBER: PHILIPS MH175/U



IES CLASSIFICATION: **AREA LIGHT**
 CUTOFF CLASSIFICATION: **NON-CUTOFF**

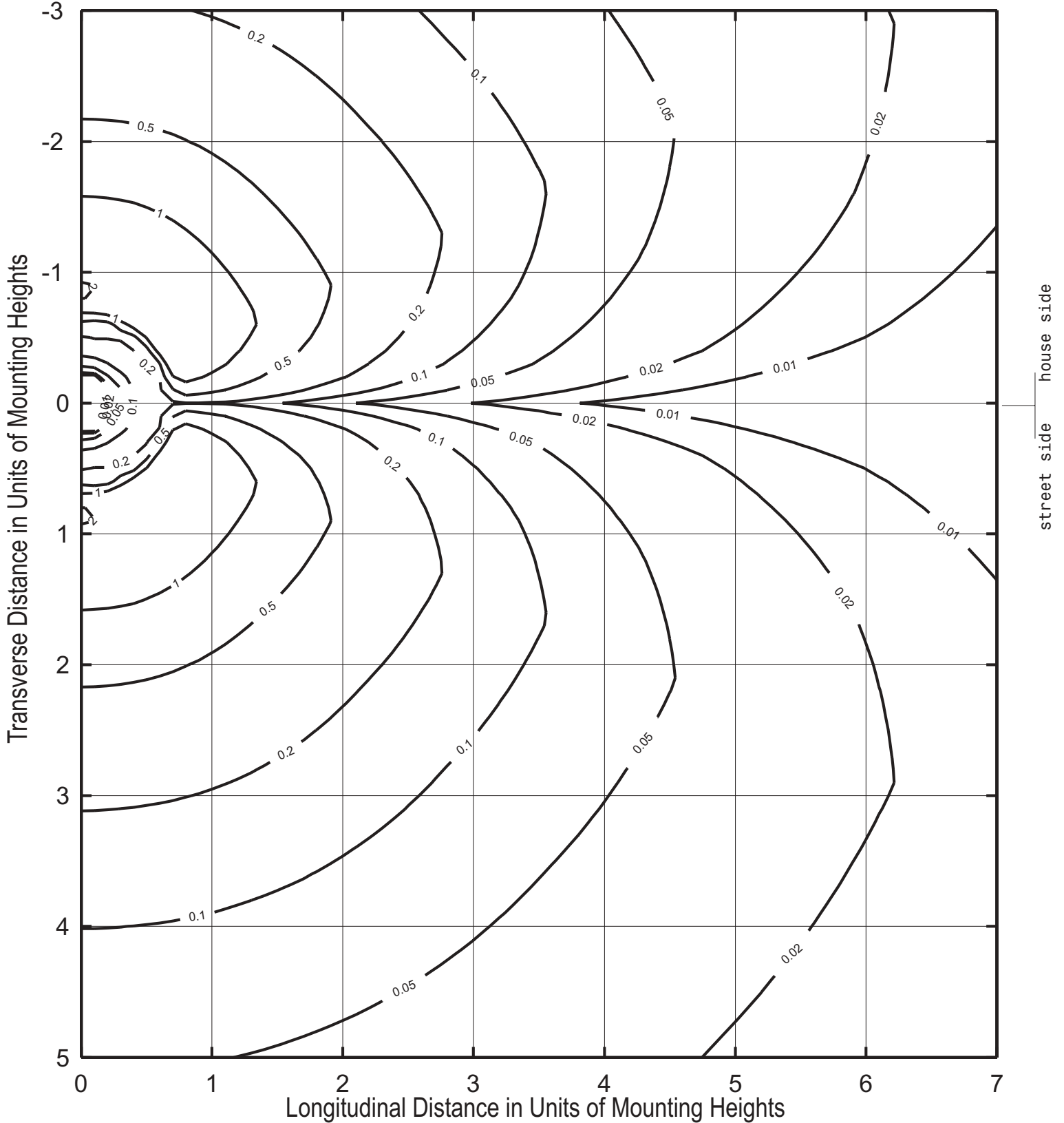
FLUX DISTRIBUTION

LUMENS	DOWNWARD	UPWARD	TOTALS
HOUSE SIDE	3129.57 (22.4%)	334.37 (2.4%)	3463.94 (24.7%)
STREET SIDE	3129.57 (22.4%)	334.37 (2.4%)	3463.94 (24.7%)
TOTALS	6259.13 (44.7%)	668.75 (4.8%)	6927.88 (49.5%)

Approved By: MG



ISOFOOTCANDLE LINES OF HORIZONTAL ILLUMINATION VALUES BASED ON 15.00 FOOT MOUNTING HEIGHT



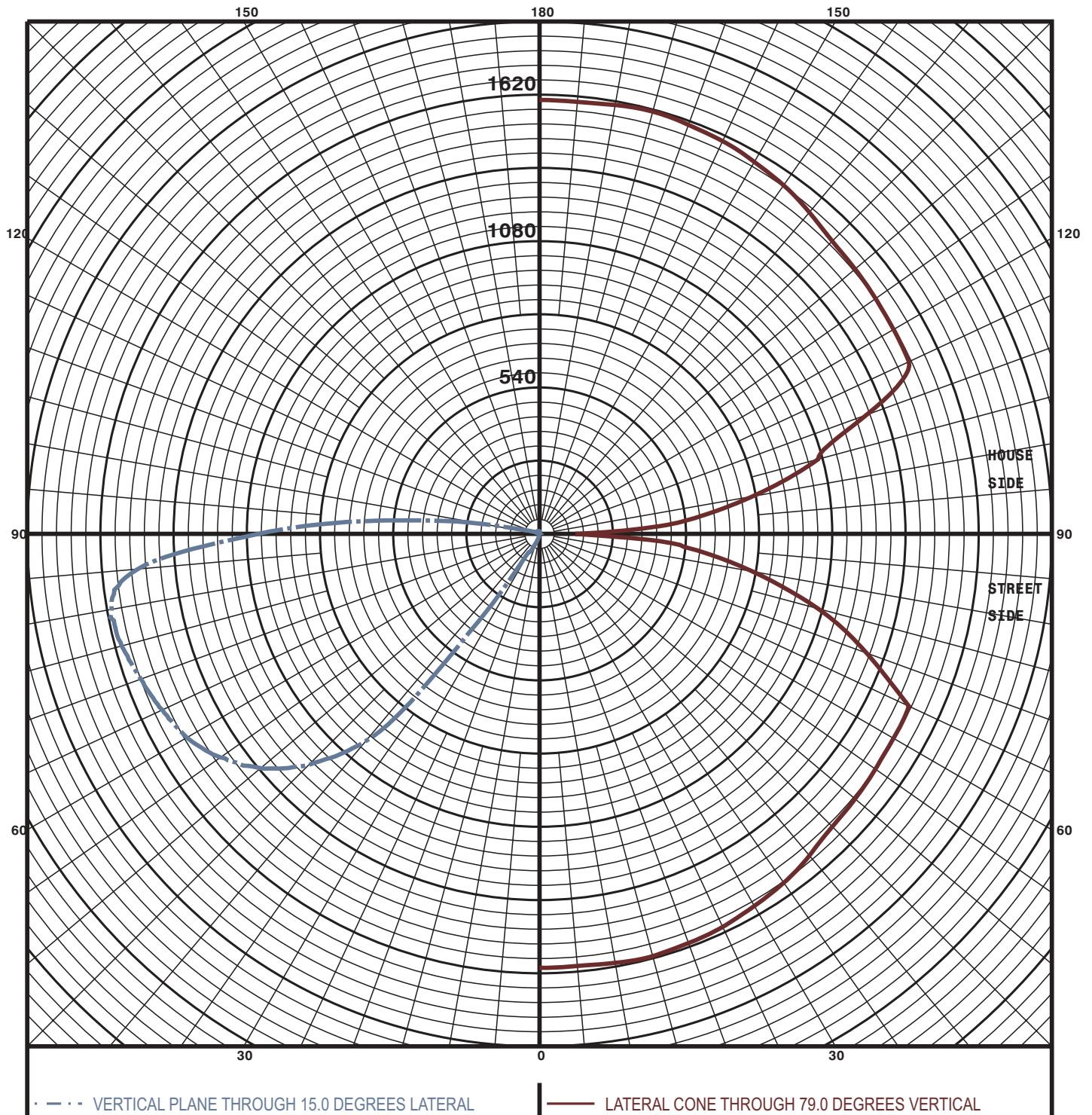


CANDELA DISTRIBUTION

	0	5	15	25	35	45	55	65	75	85	90
180	5	5	5	5	5	5	5	5	5	5	5
175	5	5	5	4	5	5	5	4	4	5	4
165	10	10	9	9	9	9	9	8	7	7	7
155	10	10	9	9	9	9	8	8	7	5	5
145	6	6	6	6	6	6	6	6	4	3	3
135	7	7	7	7	7	7	7	6	5	4	3
125	8	8	9	9	9	9	9	8	6	3	3
115	12	13	14	14	14	13	13	11	8	4	2
105	48	48	50	50	48	46	42	36	24	9	2
95	568	564	572	582	579	576	585	586	412	186	17
90	1028	1024	1037	1055	1043	1025	1033	1037	734	332	29
87.5	1274	1271	1282	1296	1287	1261	1266	1265	895	418	63
85	1486	1483	1488	1492	1468	1430	1421	1415	1005	479	99
82.5	1577	1572	1583	1573	1545	1504	1492	1487	1055	512	120
80	1601	1598	1604	1598	1569	1529	1516	1506	1067	529	130
79	1600	1600	1613	1599	1570	1526	1513	1503	1064	532	132
77.5	1600	1595	1603	1596	1565	1521	1507	1502	1061	534	135
75	1593	1589	1596	1584	1552	1506	1500	1497	1056	534	138
72.5	1579	1575	1580	1571	1533	1493	1488	1491	1047	529	140
70	1567	1562	1565	1553	1515	1476	1473	1479	1040	522	140
67.5	1549	1548	1553	1536	1496	1459	1455	1462	1028	514	141
65	1535	1532	1535	1516	1476	1442	1434	1441	1011	499	141
62.5	1515	1513	1520	1495	1454	1414	1409	1413	988	478	141
60	1493	1492	1503	1474	1425	1387	1376	1377	958	457	140
57.5	1470	1466	1473	1445	1394	1354	1334	1331	918	436	139
55	1435	1433	1437	1408	1357	1312	1287	1279	877	417	137
52.5	1394	1390	1394	1366	1314	1269	1240	1226	844	400	136
50	1343	1338	1344	1314	1264	1218	1184	1170	809	382	135
47.5	1282	1276	1279	1255	1205	1156	1120	1113	775	361	127
45	1219	1212	1205	1193	1136	1087	1055	1050	730	334	115
40	1029	1017	995	989	956	916	907	896	634	279	94
35	442	440	398	429	419	389	380	348	266	133	67
30	194	91	78	72	71	69	66	61	56	55	54
25	50	51	50	48	48	46	43	39	37	38	39
20	28	28	28	27	27	26	23	21	20	19	18
15	10	10	9	9	8	8	6	5	3	3	2
10	0	0	0	0	0	0	0	0	0	0	0
5	0	0	0	0	0	0	0	0	0	0	0
0	0	0	0	0	0	0	0	0	0	0	0

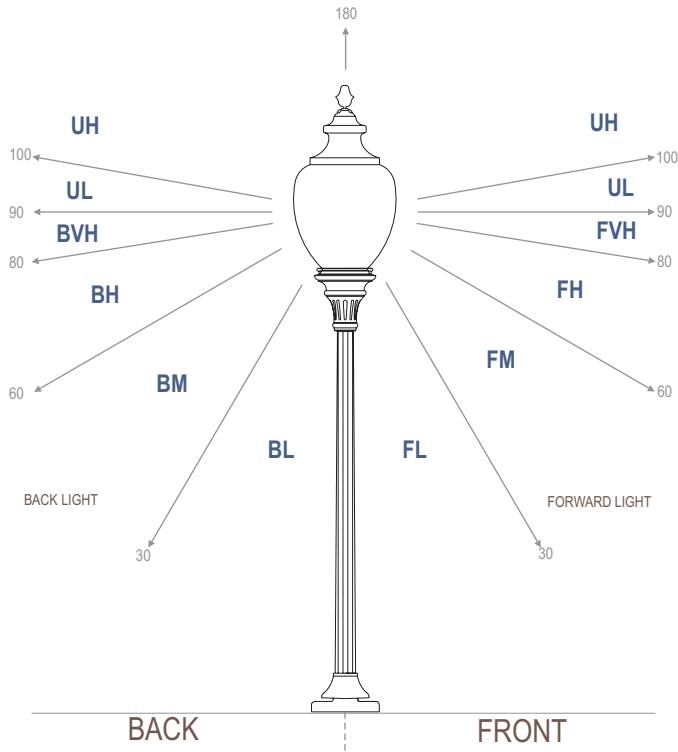


MAXIMUM PLANE AND CONE PLOTS OF CANDELA





FLUX DISTRIBUTION TABLE BASED ON THE IESNA LUMINAIRE CLASSIFICATION SYSTEM
FLUX



ZONE	LUMINAIRE LUMENS	% OF LAMP LUMENS	
FORWARD LIGHT	3130	22.4	
FL (0°-30°)	12	0.1	
FM (30°-60°)	1055	7.5	
FH (60°-80°)	1383	9.9	
FVH (80°-90°)	679	4.9	

BACK LIGHT	3130	22.4	
BL (0°-30°)	12	0.1	
BM (30°-60°)	1055	7.5	
BH (60°-80°)	1383	9.9	
BVH (80°-90°)	679	4.9	

UPLIGHT	669	4.8	
UL (90°-100°)	575	4.1	
UH (100°-180°)	93	0.7	

TRAPPED LIGHT	7072	50.5	
---------------	------	------	--

